



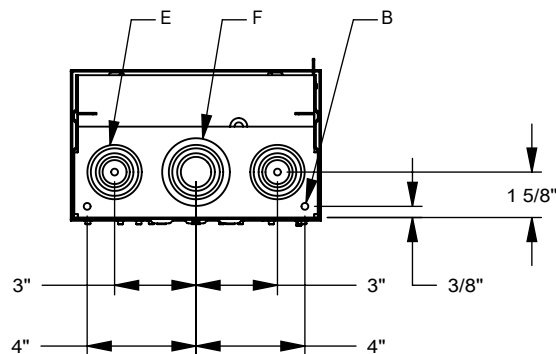
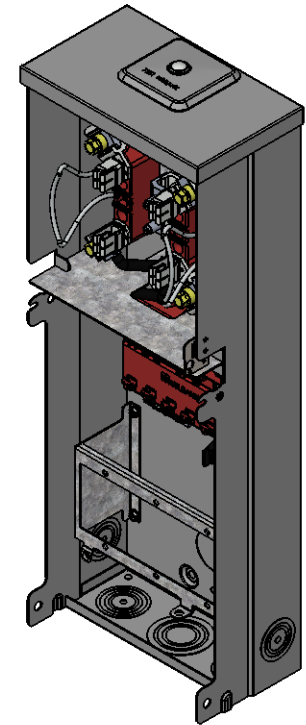
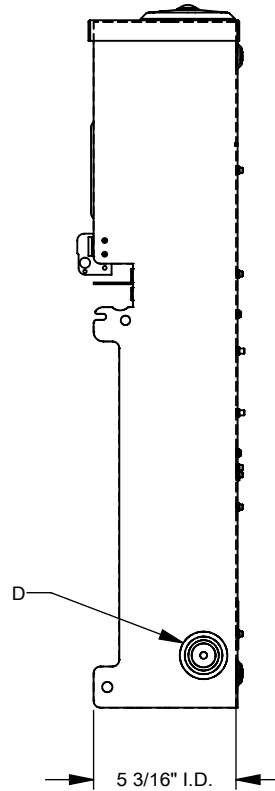
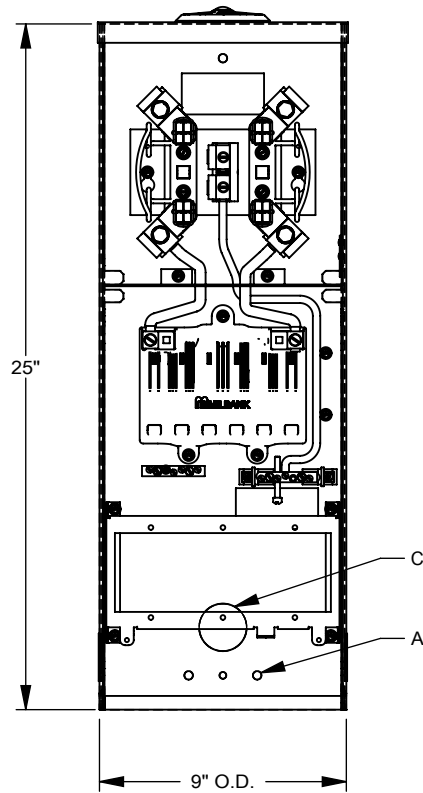
Catalog Number: U5101-XL
Item Description: 125A RL MTR P/O
UPC Code: 784572271999

Brand Name: Milbank
Type: Ringless Meter Socket
Application: RV Power
Standard: UL Listed
Voltage Rating: Up to 240 Volts Alternating Current
Amperage Rating: 125 Continuous Ampere
Phase: 1 Phase
Frequency Rating: 60 Hertz
Mounting: Surface Mount
Enclosure: G90 Galvanized Steel with Power Coat Finish



Utility requirements may vary. Always consult the serving utility for their requirements prior to ordering or installing this equipment. This product must always be installed by a licensed electrician. Installation of this equipment may require local electrical inspector approval.

FEATURE TABLE		
ITEM	QTY	DESCRIPTION
A	3	U/L MNTG.EMBOSS
B	3	¼ SOLID K.O.
C	1	1¼ SOLID K.O.
D	2	½, ¾, 1, 1¼ CONC. K.O.
E	2	½, ¾, 1, 1¼, 1½ CONC. K.O.
F	1	¾, 1, 1¼, 1½, 2 CONC. K.O.



Version:

1

All dimensions are +/- 1/16".
Drawing views are not to scale.

Utility requirements for this equipment may vary. Always consult the serving utility for their requirements prior to ordering or installing this equipment. This product must be installed by a licensed electrician. Installation of this equipment may require local electrical inspector approval.