



**Catalog Number:** U5059-X-2/200-K3L  
**Item Description:** 320A 4T RL OU HD LVR MAIN  
**UPC Code:** 784572368910

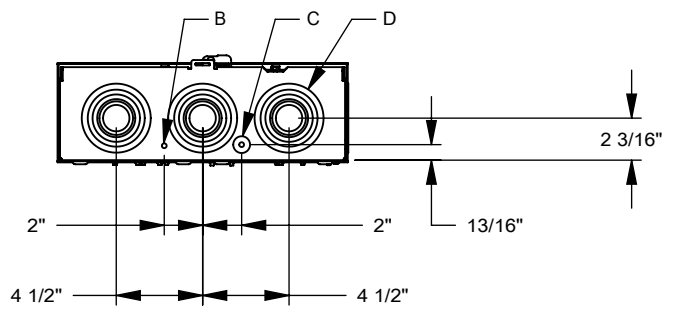
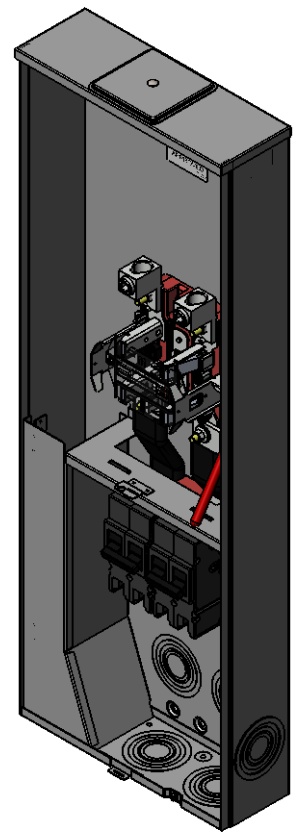
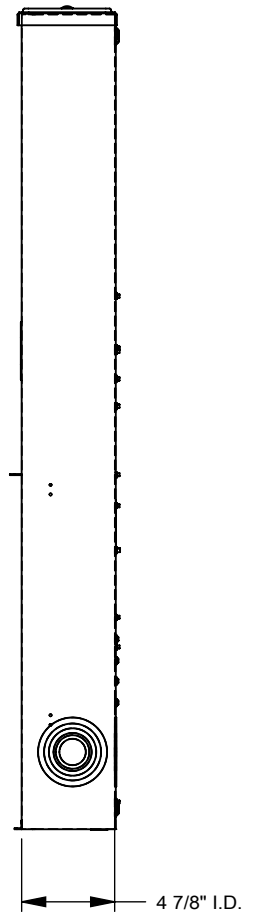
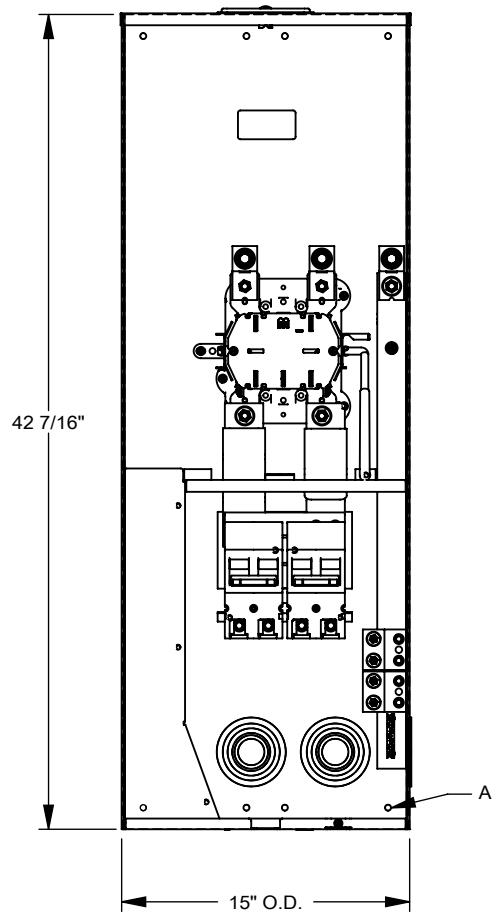
**Brand Name:** Milbank  
**Type:** Ringless Meter Socket  
**Application:** Meter Socket With Main  
**Standard:** UL Listed  
**Voltage Rating:** Up to 240 Volts Alternating Current  
**Amperage Rating:** 320 Ampere Continuous  
**Phase:** 1 Phase  
**Frequency Rating:** 60 Hertz  
**Number Of Cutouts:** 2  
**Cutout Size:** 200 Ampere Main Breaker  
**Cable Entry:** Overhead and Underground  
**Terminal:** Single Mechanical Line Side and Single Mechanical Load Side  
**Mounting:** Surface Mount  
**Enclosure:** Type 3R, G90 Galvanized Steel with Powder Coat Finish



**Additional Specifications:** Line Side Wire Range:4 AWG - 600 kcmil or Two 1/0 AWG - 250 kcmil  
Load Side Wire Range:1 AWG - 300 kcmil  
AIC or SCCR Rating: Please Contact Factory  
Optional 5th Terminal Position:3 O'Clock, 6 O'Clock, 9 O'Clock  
Maximum Amperage:400 Maximum Ampere  
Number of Jaws:4 Terminal  
Hub Opening and Closing Plates:Large Closing Plate  
Bypass Provision:Lever Bypass  
Number Positions:1 Position

*Utility requirements may vary. Always consult the serving utility for their requirements prior to ordering or installing this equipment. This product must always be installed by a licensed electrician. Installation of this equipment may require local electrical inspector approval.*

FEATURE TABLE		
ITEM	QTY	DESCRIPTION
A	8	STD. MNTG. EMBOSS
B	1	¼ SOLID K.O.
C	1	¼, ½ CONC. K.O.
D	6	1, 1¼, 1½, 2, 2½, 3 CONC. K.O.



Version:

1

All dimensions are +/- 1/16".  
 Drawing views are not to scale.  
 Utility requirements for this equipment may vary. Always consult the serving utility for their requirements prior to ordering or installing this equipment. This product must be installed by a licensed electrician. Installation of this equipment may require local electrical inspector approval.