

V220/  
V215

## 2 - PC Stainless Steel Ball Valve 2000/1500 WOG

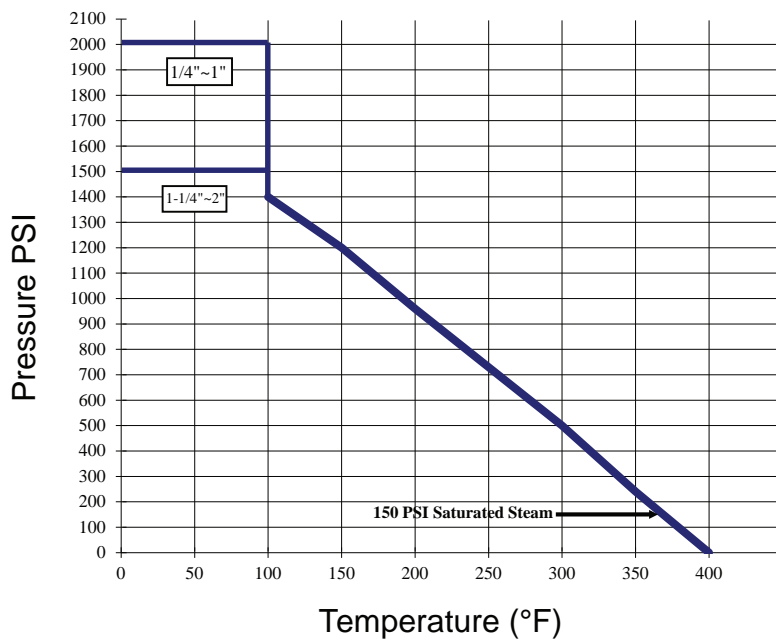
# MERIT BRASS

### DESIGN FEATURES:

- Blow-out proof stem
- Pressure balance hole ball slot
- Various threaded standards available
- Locking device is available upon request

### APPLICABLE STANDARDS:

- Design: ASME/ANSI B16.34 EN12516
- Wall Thickness: ASME/ANSI B16.34 EN12516
- Pipe thread: ASME/ANSI B1.20.1
- Inspection & testing: ASME/ANSI B16.34 EN12266



### Cv, Weights & Port

Size	Cv	Wt (Lbs)	Port
1/4"	6	0.48	0.43
3/8"	6	0.48	0.43
1/2"	7	0.59	0.49
3/4"	10	1.06	0.63
1"	25	1.40	0.79
1-1/4"	35	2.91	0.98
1-1/2"	46	4.32	1.26
2"	80	5.25	1.50

### Torques(in-lbs)

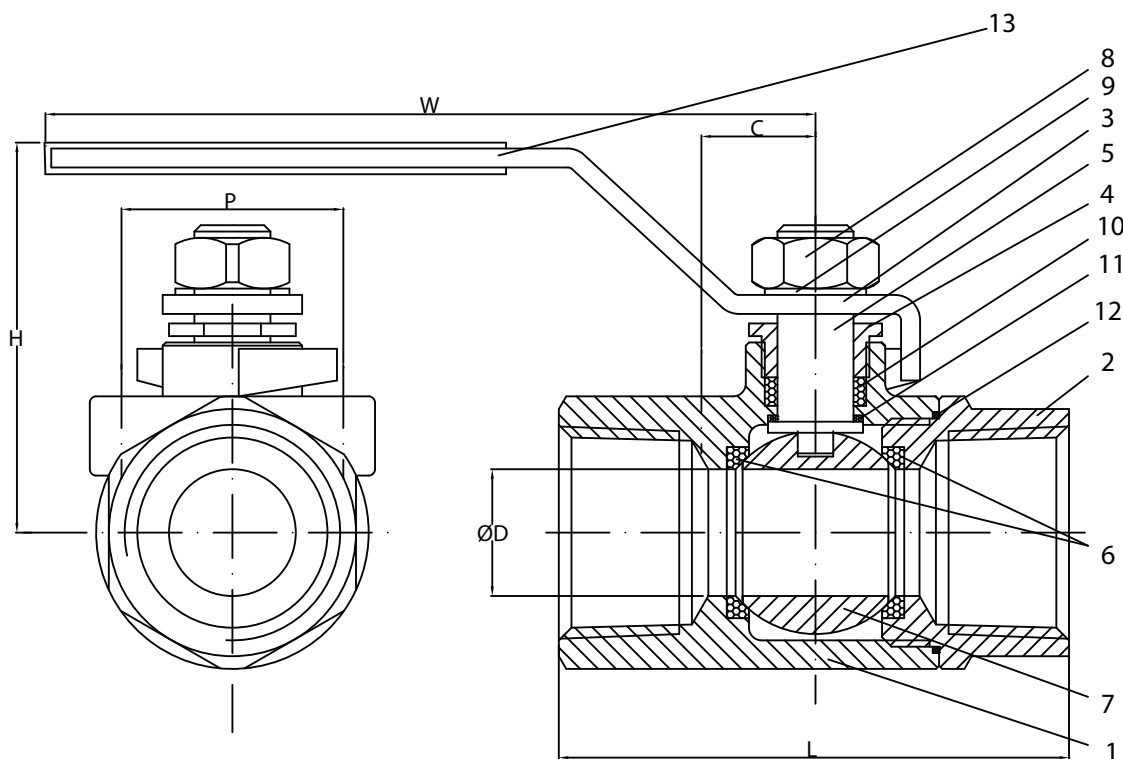
Size	Torque
1/4"	36
3/8"	36
1/2"	38
3/4"	43
1"	65
1-1/4"	100
1-1/2"	150
2"	185

Headquarters:  
One Merit Drive  
PO Box 43127  
Cleveland OH 44143  
TEL: 216 261 9800  
TOLL FREE TEL: 800 726 9800  
TOLL FREE FAX: 855 MBFAXIT  
Email: mbsales@meritbrass.com  
Websites: www.meritbrass.com  
www.MBWebXpress.com  
www.MBLeadFree.com

V220/  
V215

## 2 - PC Stainless Steel Ball Valve 2000/1500 WOG

# MERIT BRASS



NO	PART NAME	QTY	MATERIAL
1	BODY	1	ASTM A351 CF8M
2	END CAP	1	ASTM A351 CF8M
3	HANDLE	1	SUS304
4	GLAND	1	SUS304
5	STEM	1	SUS316
6	SEAT RING	2	TEFLON
7	BALL	1	SUS316

NO	PART NAME	QTY	MATERIAL
8	HANDLE NUT	1	SUS304
9	SPRING WASHER	1	SUS304
10	GRAND PACKING	3	TEFLON
11	THRUST WASHER	1	TEFLON
12	SEAL	1	TEFLON
13	HANDLE COVER	1	PLASTIC

Unit: Inch

	Size	D Port	L	W	H	C	P
V220 (1/4" - 1")	1/4"	0.43	2.01	3.78	1.87	0.50	1.12
	3/8"	0.43	2.01	3.78	1.87	0.50	1.12
	1/2"	0.49	2.32	3.78	1.87	0.50	1.12
	3/4"	0.63	2.72	4.96	2.15	0.88	1.38
	1"	0.79	3.17	4.96	2.26	0.88	1.38
V215	1-1/4"	0.98	3.72	7.05	2.78	0.95	1.50
	1-1/2"	1.26	4.00	7.05	2.97	0.95	1.50
	2"	1.50	4.70	7.05	3.15	0.95	1.50