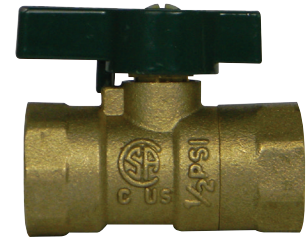


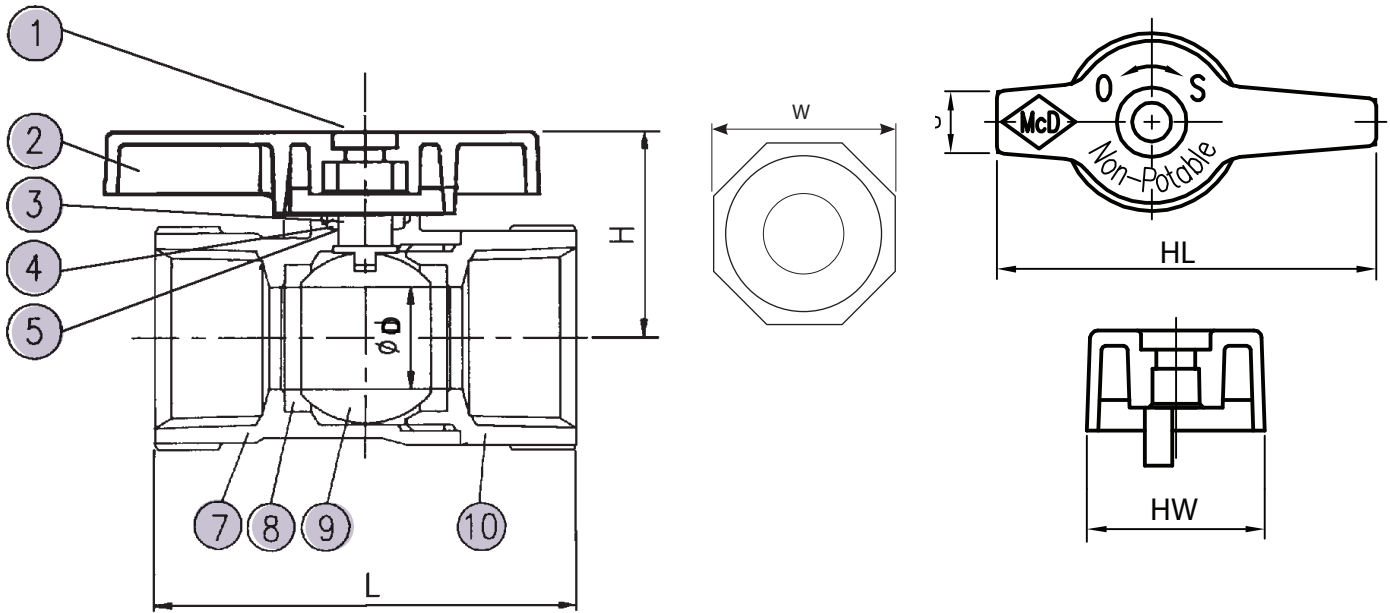
SUBMITTAL DATA SHEET

Forged Brass Low Pressure Gas Valve - Ball Style - Gas Only
Gas Ball Valve - 10710

Inlet: FNPT, Outlet: FNPT



A.Y. McDonald Mfg. Co. Gas Ball Valves are constructed of heavy duty forged brass. They are designed for residential, commercial, and industrial use in low pressure gas applications. Valves listed are suitable for use with natural, manufactured, mixed and LP gases and with LP gas - air mixtures.



Dimensions

Size	L	H	D	W	HW	HL
1/2"	2.17	1.22	.39	1.062	.9	1.92
3/4"	2.44	1.38	.59	1.3125	.9	1.92
1"	2.87	1.66	.79	1.625	1.1	2.6

Materials

No.	Part	Material	No.	Part	Material
1	Screw	Steel	7	Body	Forged Brass
2	Handle	Zinc Alloy	8	Ball Disc Packing	Teflon
3	Stem	Brass	9	Ball	Chrome Plated Brass
4	Stem Gland Screw	Brass	10	End Plug	Forged Brass
5	Gland Packing	Teflon			

SUBMITTAL INFORMATION

- Sizes: 1/2", 3/4", 1"
- Ambient working temp. = -40°F to 125°F
- Thread comply to ANSI B1.20.1
- 1/4 turn operation

- 2 piece forged brass body
- Blow out proof stem
- Conforms to MSS-SP-110

Valves manufactured to:



B16.44 5 PSIG



Z21.15 1/2 PSIG



842 5 PSIG



Non-Potable
Use Only

NO-LEAD: The weighted average of the wetted surface of this no-lead product contacted by consumable water contains less than one quarter of one percent (0.25%) lead.



A.Y. McDonald Mfg. Co.
P.O. Box 508
Dubuque, IA 52004-0508

Toll Free: 1-800-292-2737
Fax: 1-800-832-9296
Hours: 7:00 a.m. - 5:00 p.m., CST

sales@aymcdonald.com
www.aymcdonald.com

A.Y. McDonald considers the information on this assembly drawing correct when published. Item and option availability, including specifications, are subject to change without notice.

Submitted by: