

465116 Pipe Repair Clamp • Spec Sheet

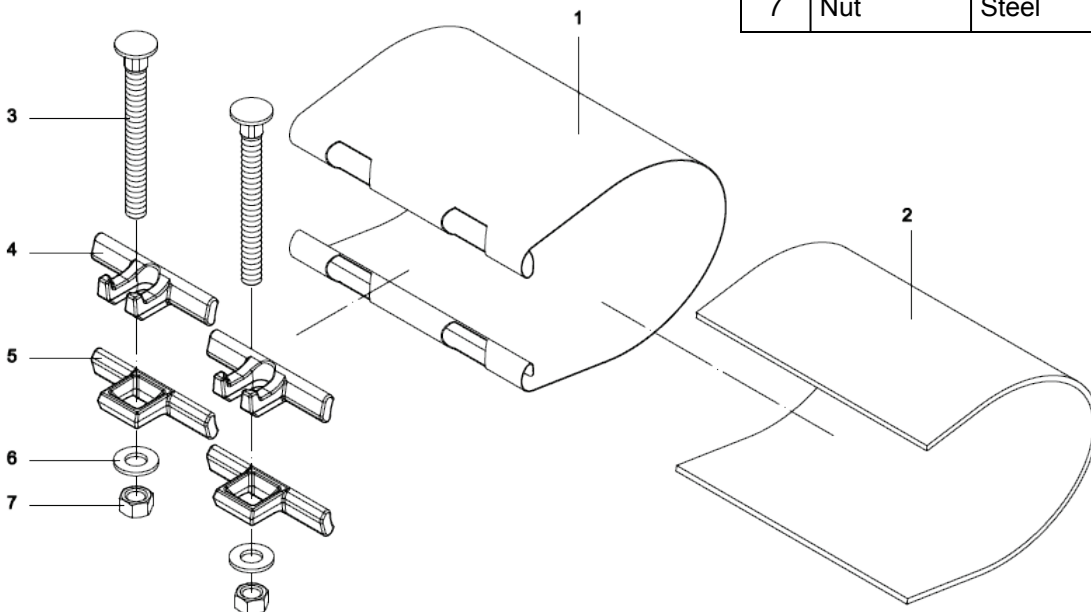


FEATURES & BENEFITS

- For IPS Size
- 6" Clamp
- Two Bolt

MATERIAL SPECIFICATIONS

No.	Part	Material
1	Cover	Stainless
2	Lining	Rubber
3	Bolt	Steel
4	Upper Seat	Steel
5	Lower Seat	Steel
6	Washer	Steel
7	Nut	Steel



 **MATCO-NORCA**

Global sourcing. National compliance. Local service.

CALIFORNIA 5593 Fresca Dr., La Palma CA 90623 • Toll Free: 866-532-8306 • Fax: 866-532-8307
TEXAS 1150 Silber Rd., Houston TX 77055 • Toll Free: 800-935-5456 • Fax: 713-680-2999
NEW YORK PO Box 27, Rt. 22, Brewster NY 10509 • Toll Free: 800-431-2082 • Fax: 845-278-9056
WEB: www.matco-norca.com EMAIL: mail@matco-norca.com