

450TLF Compression Coupling • Spec Sheet

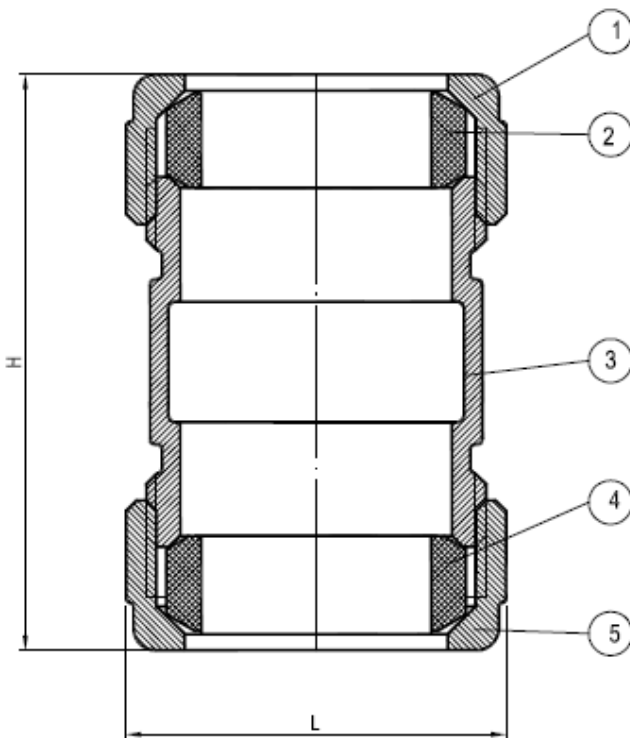


FEATURES & BENEFITS

- Lead Free Brass*
- Compression Coupling
- 3 Inch Length - Short Pattern
- Sizes 3/8" - 2" - IPS

DIMENSIONS

Part #	IPS	CTS	H	L
450T02LF	3/8"	1/2"	2.56	1.34
450T03LF	1/2"	3/4"	2.82	1.56
450T04LF	3/4"	1"	3.25	1.95
450T05LF	1"	1-1/4"	2.84	2.19
450T06LF	1-1/4"	1-1/2"	3.09	2.56
450T07LF	1-1/2"	-	3.59	2.80
450T08LF	2"	-	3.76	3.27



MATERIAL SPECIFICATIONS

No.	Part	Material
1	Packing Nut	Brass B584 C85710
2	Packing	EPDM - SE-719F
3	Body	Brass C89550
4	Packing	EPDM - SE-719F
5	Packing	Brass B584 C85710

*This product complies with 0.25% weighted average lead content on wetted surfaces in accordance with the Safe Drinking Water Act (SDWA) / Federal Public Law No. 111-380.



Global sourcing. National compliance. Local service.

CALIFORNIA 5595 Fresca Dr., La Palma CA 90623
TEXAS 1150 Silber Rd., Houston TX 77055
ILLINOIS 278 Windy Point Dr., Glendale Heights, IL 60139
NEW YORK PO Box 27, Rt.22, Brewster NY 10509
 WEB: www.matco-norca.com

• Phone: 866-532-8306 • Fax: 866-532-8307
 • Phone: 800-935-5456 • Fax: 713-680-2999
 • Phone: 844-412-5068 • Fax: 800-640-2252
 • Phone: 800-431-2082 • Fax: 845-278-9056
 EMAIL: mail@matco-norca.com