

Vacancy Solution with Lutron® Wired Occupancy Sensors, PP-DV Series Power Packs, and Nova T☆® Low-Voltage Momentary Switches

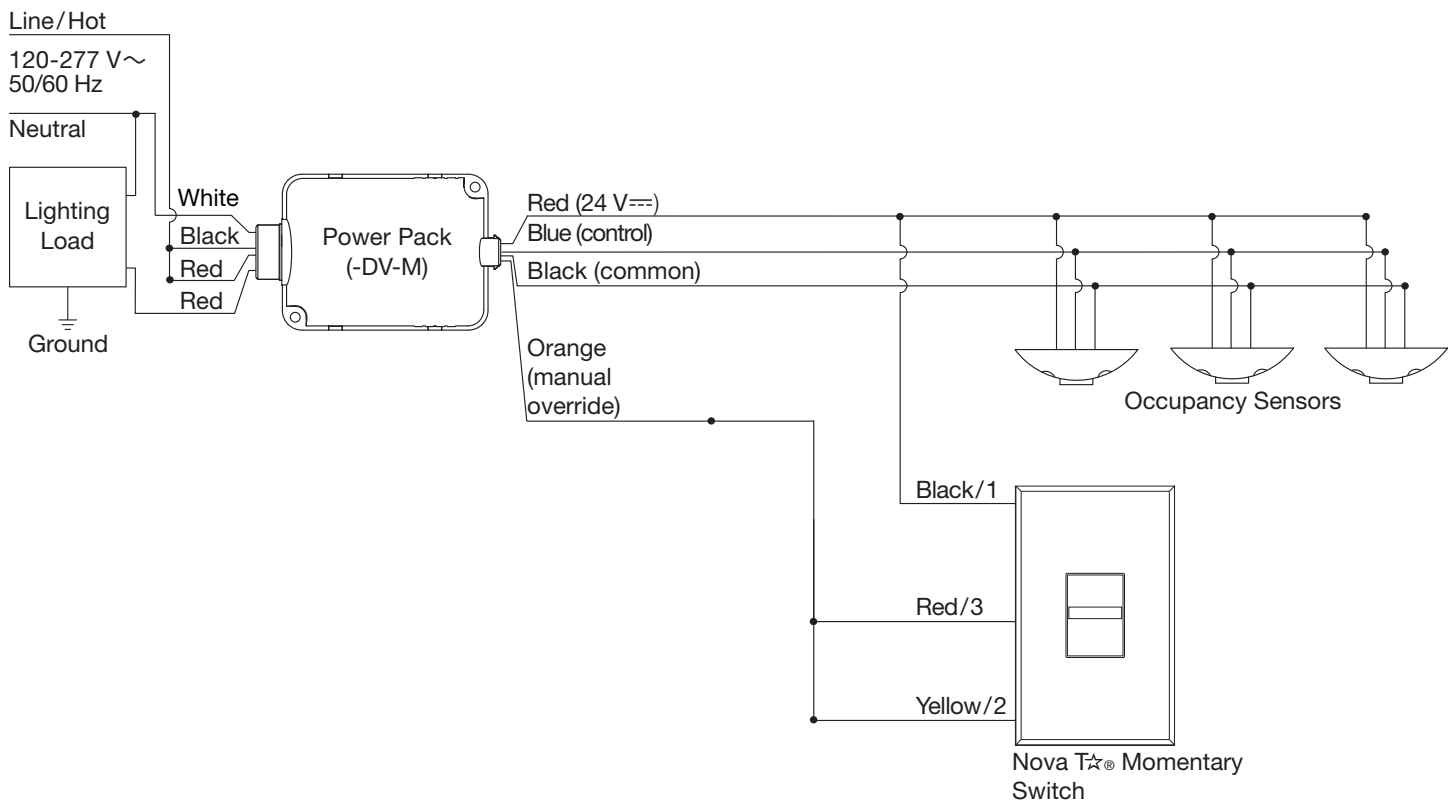
Supported Models

- Lutron® Wired Power Packs: PP-DV-M, UPP-DV-M*
- Nova T☆® Momentary Switches: NTRCS-1
- Lutron® Wired Occupancy Sensors: LOS-W, LOS-C

The Manual-On Power Pack (PP-DV-M, UPP-DV-M) can be used to provide a vacancy solution when paired with Lutron® wired occupancy sensors (LOS-W, LOS-C) and Nova T☆® low-voltage momentary switches (NTRCS-1). The low-voltage momentary switch should be used to manually turn ON the load while the sensor automatically shuts the load OFF when unoccupied. Pressing the momentary switch can also turn the load OFF.

Wiring

Vacancy Solution with PP-DV-M/UPP-DV-M and NTRCS-1



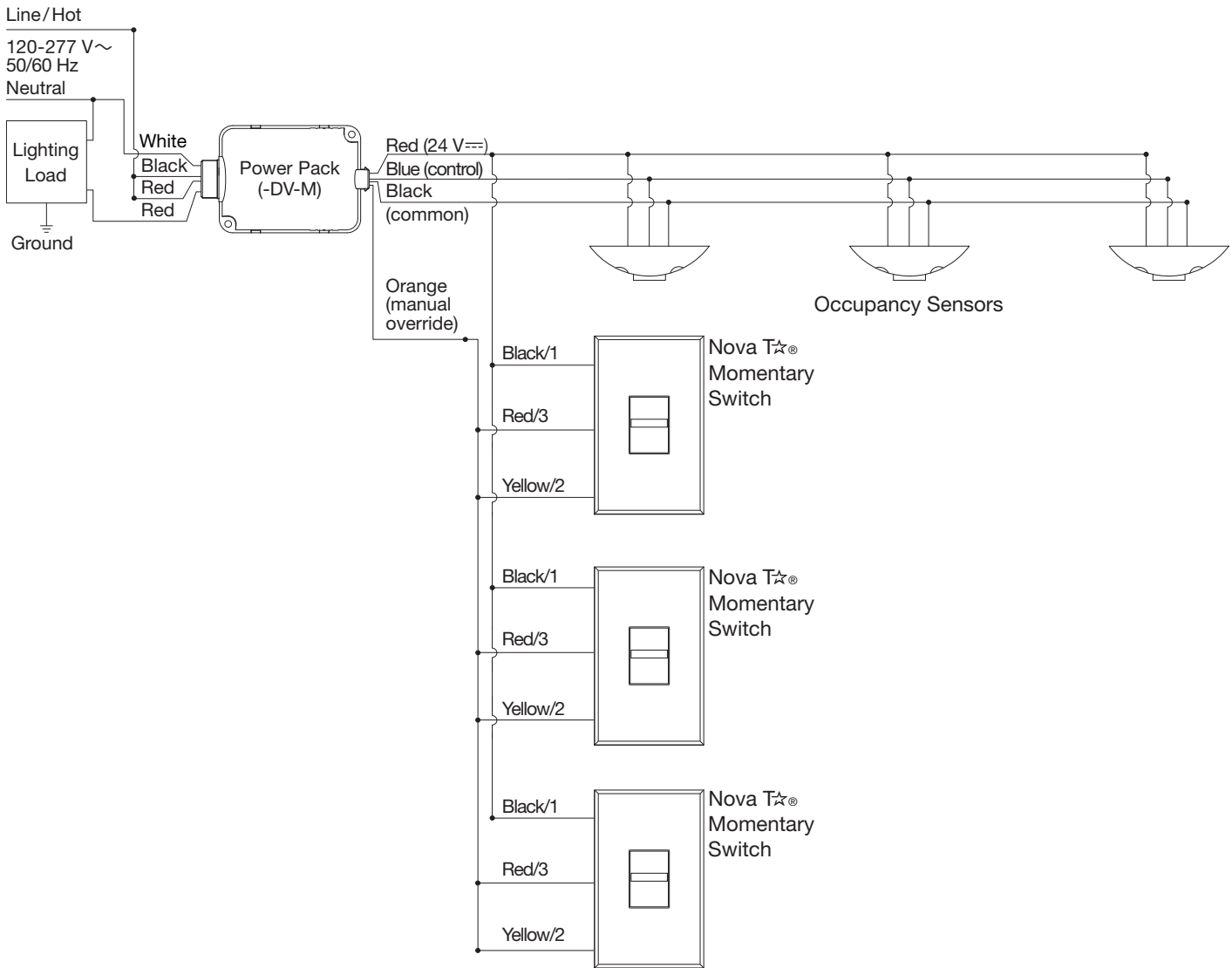
Note: A maximum of 3 devices can be used with PP-DV-M/UPP-DV-M. Each PP-SH/UPP-SH counts as 1 device, each occupancy sensor counts as 1 device. Nova T☆® momentary switches are not included in this count.

1. When the Power Pack and the switch are wired as shown in the wiring diagram, the system provides a vacancy solution.
2. The load is turned ON only when an occupant presses the momentary switch. The load is turned OFF when either:
 - All the sensors in the circuit time out
 - The user presses the momentary switch

* BAA compliant

Wiring (continued)

Vacancy Solution with 1 PP-DV-M / UPP-DV-M, 3 Occupancy Sensors and 3 NTRCS-1



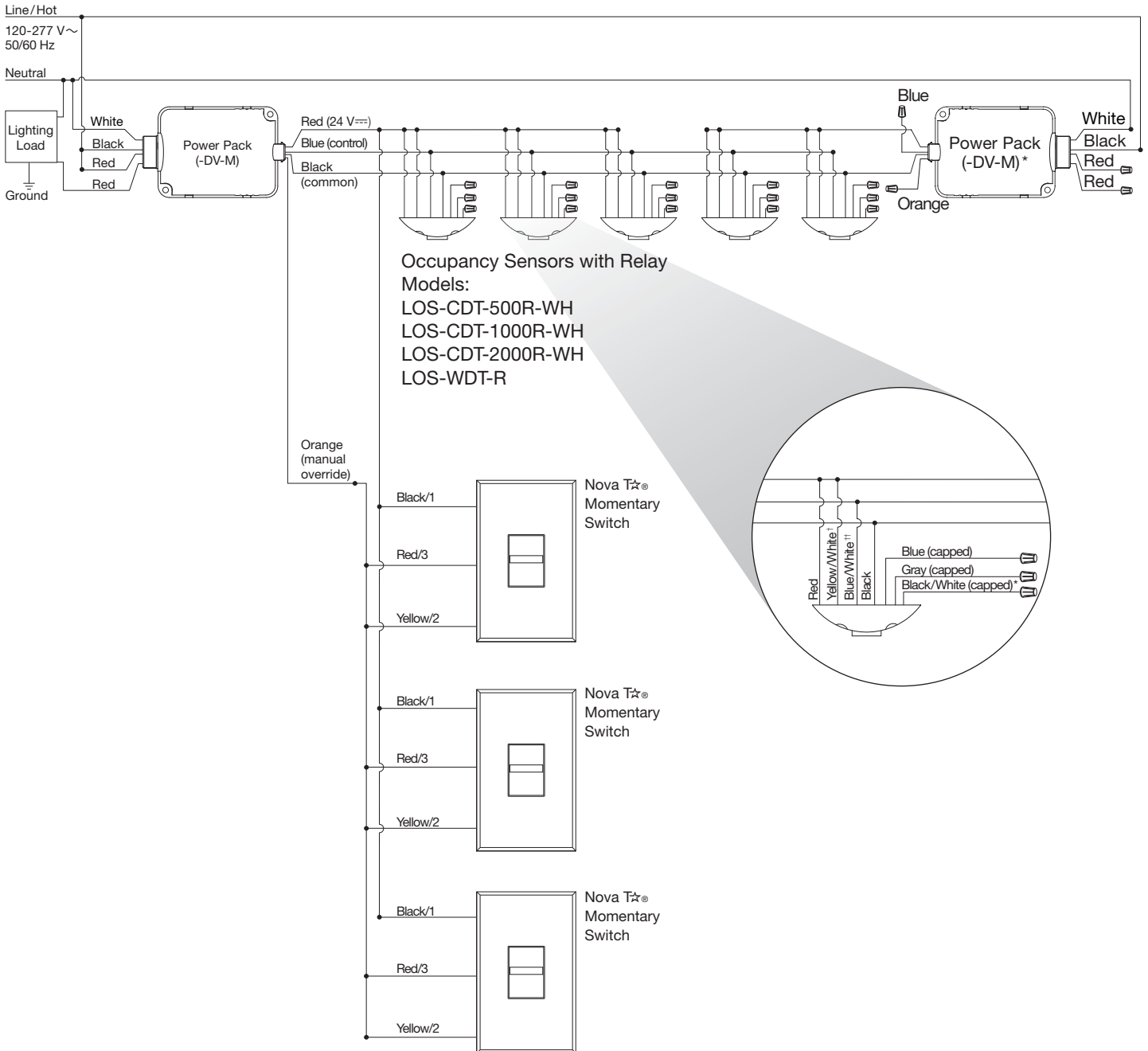
Note: A maximum of 3 devices can be used with PP-DV-M/UPP-DV-M. Each PP-SH/UPP-SH counts as 1 device, each occupancy sensor counts as 1 device. Nova Tstar momentary switches are not included in this count.

Note: A maximum of 10 Nova Tstar momentary switches can be connected to a single PP-DV-M/UPP-DV-M. The maximum wire length between a momentary switch and the power pack cannot exceed 150 ft (46 m).

Note: No more than three occupancy sensors can have their occupancy signal wire connected to a single control wire of the PP-DV or PP-DV-M. For applications that require more than three sensors, the relay version of the occupancy sensor must be used. See the wiring diagram on the next page for details.

Wiring (continued)

Vacancy Solution with 2 PP-DV-M / UPP-DV-M, greater than 3 Occupancy Sensors and 3 NTRCS-1



† Yellow/White - relay (NO) contact

†† Blue/White - relay common

* Black/White - relay (NC) contact

Note: A maximum three devices can be used with PP-DV-M/UPP-DV-M. Each PP-SH/UPP-SH counts as one device, each occupancy sensor counts as one device. Nova T*[®] momentary switches are not included in this count.

Lutron and Nova T★ are registered trademarks of Lutron Electronics Co., Inc.

Lutron Contact Numbers

WORLD HEADQUARTERS USA

Lutron Electronics Co., Inc.
7200 Suter Road
Coopersburg, PA 18036-1299
TEL: +1.610.282.3800
FAX: +1.610.282.1243
Customer Assistance:
1.844.LUTRON1 (1.844.588.7661)
intsales@lutron.com

EUROPEAN HEADQUARTERS United Kingdom

Lutron EA Ltd.
6 Sovereign Close
London, E1W 3JF United Kingdom
TEL: +44.(0)20.7702.0657
FAX: +44.(0)20.7480.6899
FREEPHONE (UK): 0800.282.107
Technical Support: +44.(0)20.7680.4481
lutronlondon@lutron.com

ASIAN HEADQUARTERS Singapore

Lutron GL Ltd.
15 Hoe Chiang Road
#07-03, Tower 15
Singapore 089316
TEL: +65.6220.4666
FAX: +65.6220.4333
Technical Support: 800.120.4491
lutronsea@lutron.com

North & South America Technical Hotlines

USA, Canada, Caribbean:
1.800.523.9466
Mexico:
+1.888.235.2910
Central/South America:
+1.610.282.6701

Asia Technical Hotlines

Northern China: 10.800.712.1536
Southern China: 10.800.120.1536
Hong Kong: 800.901.849
Indonesia: 001.803.011.3994
Japan: +81.3.5575.8411
Macau: 0800.401
Taiwan: 00.801.137.737
Thailand: 001.800.120.665853
Other Countries: +65.6220.4666