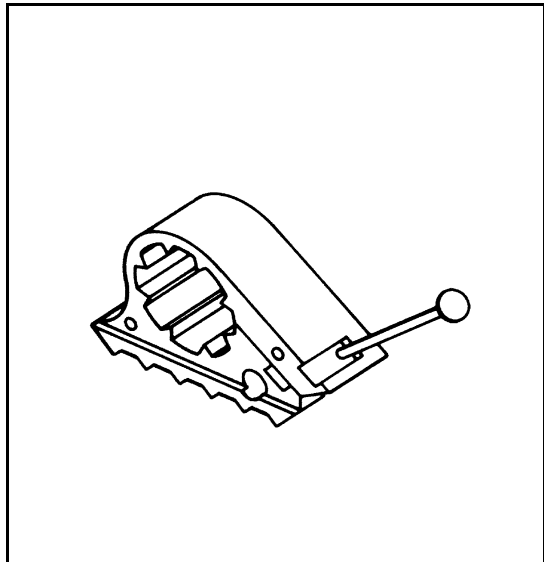
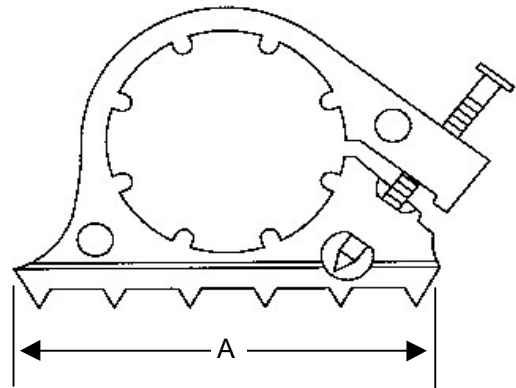
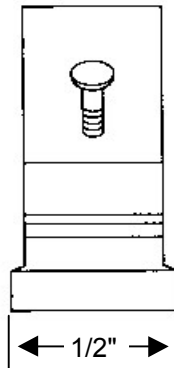


Specialty Products™



SINGLE NAIL CLAMP Specification Sheet

PART NO.	DESCRIPTION	MSTR CTN QTY/LBS
P-2090	SN 1/2"	1500/14
P-2091	SN 3/4"	1000/14



SPECIFICATION

Furnish and install Single Nail Clamp as manufactured by LSP Products Group/Specialty Products.

DESIGN FEATURES

- Constructed of high-impact plastic.
- Fast and easy to use.
- Pre-installed barbed nail prevents backout
- Ribbed design completely encircles pipe.
- Use with copper pipe.
- Beige in color.

Part Number	A
P-2090	1-1/4"
P-2091	1-1/2"

COMPLIANCES/LISTINGS

- IAPMO File #2139



3689 Arrowhead Drive, Carson City, NV 89706
 Phone (800) 854-3215 Fax (800) 243-1777
 E-mail sales@lspproducts.com Website www.lspproducts.com

Content matter is subject to change at any time. It is the user's responsibility to ensure the most updated revisions are obtained.

SP/S-2026 (03-02) Rev 1

Product Submittal	
Job Name	
Date	
Part Number	Quantity
Architect	
Contractor	