

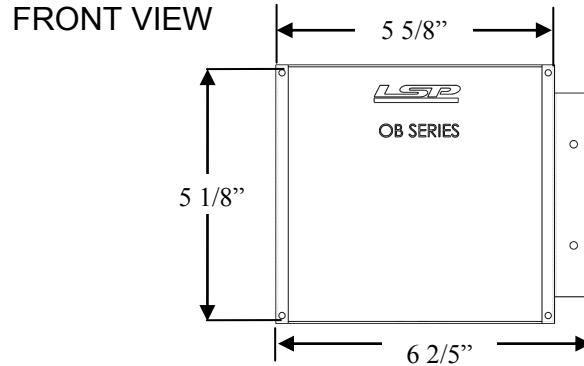
Specialty Products

METAL ICE MAKER BOX

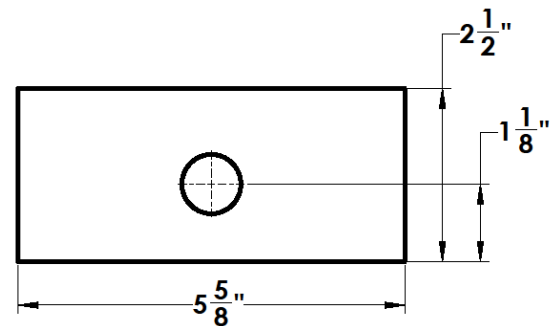
Specification Sheet



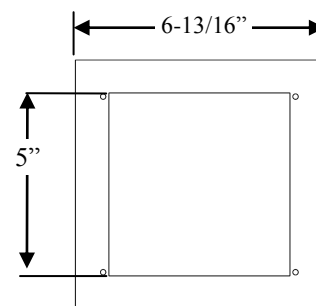
DIMENSIONS



BOTTOM VIEW



FACE PLATE



DESIGN FEATURES

- Slim line profile for 1" backing
- Ribbed walls add support for greater strength and better alignment
- Adjustable faceplate accommodates up to 5/8" wall thicknesses
- Top and bottom nailing tab assures solid installation
- Construction of powder-coated 20 gauge steel
- Mounts on side of stud and can be installed upside down, vertically, or horizontally
- Valves with Hammer Arresters do not need an access panel and can be installed in any direction
- Lead free EZ-Turn Quarter Ball Valve includes long lasting O-rings and PTFE seats and durable brass resists cracking/corrosion and allows for fingertip control of water flow

COMPLIANCES/LISTINGS

- IM Valves:
 - IAPMO listed to ASME A112.18.1/CSA 125.1, file 4577
 - IAPMO listed to NSF/ANSI 61, file N-6614
 - IAPMO listed to Lead Free Plumbing Law, file 6545
 - Valves with Hammer Arresters IAPMO listed to IGC 168 and ASSE 1010, file 4393
- Outlet Box:
 - IAPMO listed to IAPMO PS 54, file 0901

ASME A112.18.1 ASSE 1010



3689 Arrowhead Drive, Carson City, NV 89706
 Phone (800) 854-3215 Fax (800) 243-1777
 E-mail sales@lspproducts.com Website www.lspproducts.com
 Content matter is subject to change at any time. It is the user's responsibility to ensure the most updated revisions are obtained.
 (1/17) Rev C

Product Submittal	
Job Name:	
Date:	
Part Number	Quantity
Architect:	
Contractor:	

Specialty Products

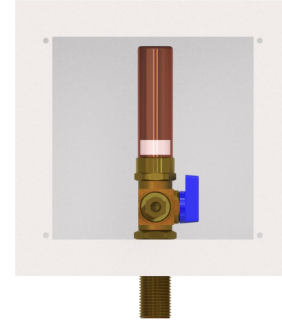
METAL ICE MAKER BOX

Specification Sheet



WHITE UNASSEMBLED NON HAMMER ARRESTER VALVES

Part Number	Description	MSTR CTN QTY
WITHOUT VALVES		
OB-503	NO VALVES	5
WITH COPPER SWEAT VALVES		
OB-504-LL	1/2" COPPER SWEAT X 1/4" COMP	5
WITH MALE CPVC VALVES		
OB-514-LL	1/2" MALE CPVC X 1/4" COMP	5
WITH CRIMP PEX VALVES		
OB-507-LL	1/2 " CRIMP PEX X 1/4" COMP	5
WITH UPONOR/WIRSBO VALVES		
OB-512-LL	1/2" UPONOR PEX X 1/4"COMP	5



WHITE UNASSEMBLED WITH HAMMER ARRESTER VALVES

Part Number	Description	MSTR CTN QTY
WITH COPPER SWEAT VALVES		
OB-509-LL	1/2" COPPER SWEAT X 1/4" COMP	5
WITH MALE CPVC VALVES		
OB-515-LL	1/2" MALE CPVC X 1/4" COMP	5
WITH CRIMP PEX VALVES		
OB-518-LL	1/2" CRIMP PEX X 1/4" COMP	5
WITH UPONOR/WIRSBO PEX VALVES		
OB-520-LL	1/2" UPONOR PEX X 1/4" COMP	5

*Add "-T" to the end of any part number for Tract Pack (faceplates packaged separately)



3689 Arrowhead Drive, Carson City, NV 89706
 Phone (800) 854-3215 Fax (800) 243-1777
 E-mail sales@lspproducts.com Website www.lspproducts.com
 Content matter is subject to change at any time. It is the user's responsibility to ensure the most updated revisions are obtained.
 (8/16) Rev C

Product Submittal	
Job Name:	
Date:	
Part Number	Quantity
Architect:	
Contractor:	