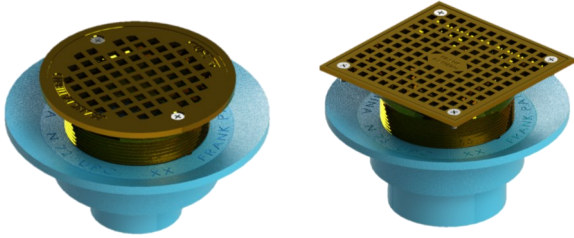


Frank Pattern™
7" ADJUSTABLE FLOOR DRAIN
SERIES WITHOUT MEMBRANE CLAMP
Specification Sheet



DESIGN FEATURES

- Cast iron main body and top flange with corrosion resistant coating
- Adjustable height brass grate assembly
- Removable brass grate for drain cleaning and replacement
- Also available with chrome plated brass grate and base in round & square
- Stainless steel fasteners
- Load Rating: Light to Medium duty

INSTALLATION

1. Position drain assembly in place with drain pipe connected prior to pouring concrete.
2. No hub models require connection clamp, which is not included.
3. Adjust brass grate assembly to desired height
4. Pour concrete to desired height

SPECIFICATION

- Recommended for use on concrete floors to facilitate drainage where water can collect.
- Drain unit consists of cast iron main body and adjustable height brass grate assembly

COMPLIANCES/LISTINGS

- Listed to ASME A112.6.3 Through IAPMO File: 0848
- Uniform Plumbing Code (UPC®)
- International Plumbing Code (IPC®)



3689 Arrowhead Drive, Carson City, NV 89706
Phone (800) 854-3215 Fax (800) 243-1777
E-mail sales@lspproducts.com
Website www.lspproducts.com

Content matter is subject to change at any time. It is the user's responsibility to ensure the most updated revisions are obtained.

Revised 02/2018

Part Number	Description	Drain Connection	Drain Pipe Size
N72**	Drain Body Only	No Hub	2"
N73**	Drain Body Only	No Hub	3"
N72W5375R	5" Round Grate	No Hub	2"
N72W5375S	5" Square Grate	No Hub	2"
N73W5375R	5" Round Grate	No Hub	3"
N73W5375S	5" Square Grate	No Hub	3"

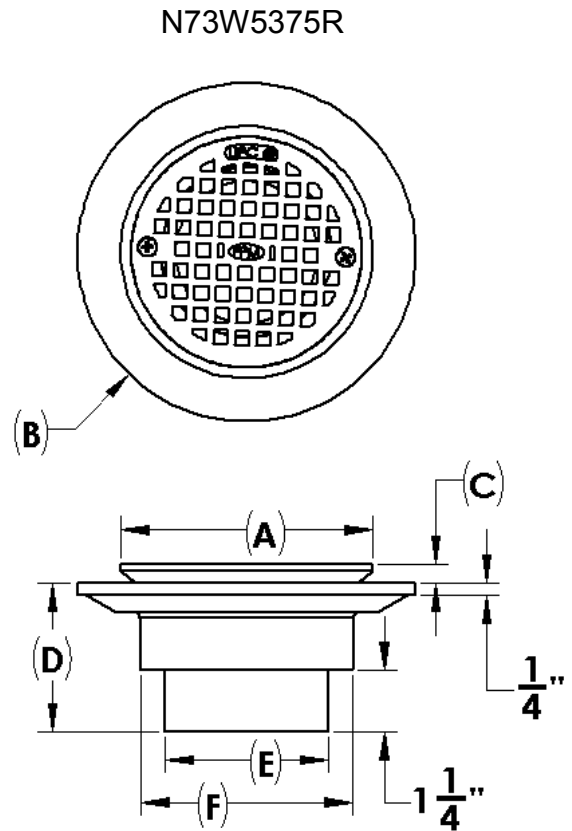
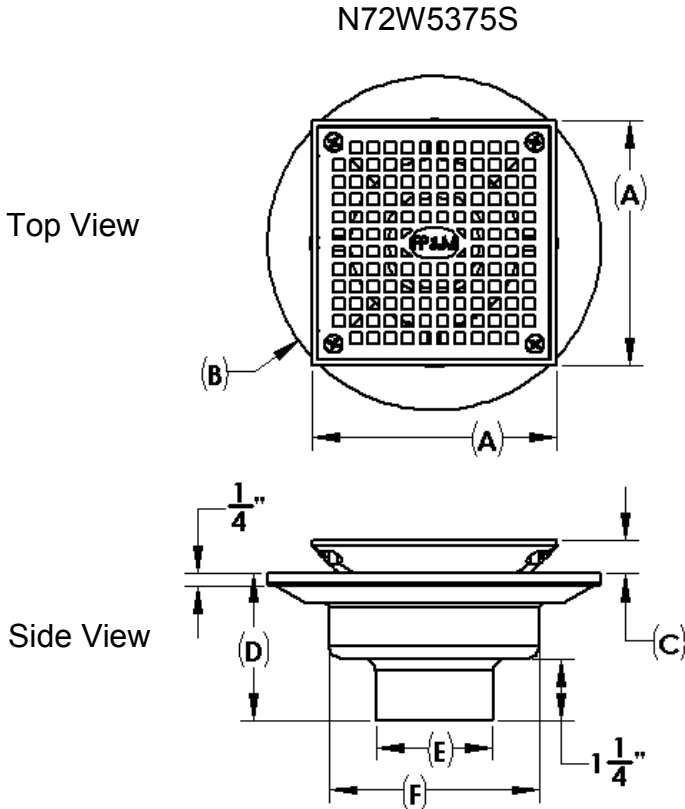
** For Chrome Plated assembly, order CHR5375R round or CHR5375S square strainer top separately with desired N72 or N73 drain body.

Replacement Parts & Accessories		
Part No.	Description	QTY
CHR5375R	Round Chrome Plated 5" Brass Top Screen & Base	1
CHR5375S	Square Chrome Plated 5" Brass Top Screen & Base	1
5375R	Round 5" Brass Top Grate Screen and Base	1
5375S	Square 5" Brass Top Grate Screen and Base	1
100EX	Floor Drain Extension. Provides an additional 1" to 2" of height	1
5375R-S&S	5" Round Top Grate Screen and Stainless Steel Screws	1
300-001	Flat Phillips Head Stainless Steel Screws 10/24x1/2"	As Req'd

Product Submittal	
Job Name:	
Date:	
Part Number	Quantity
Architect:	
Contractor:	

**7" ADJUSTABLE FLOOR DRAIN
SERIES WITHOUT MEMBRANE CLAMP**
Specification Sheet

DIMENSIONS



Part Number	Description	Drain Connection	Drain Pipe Size	Dimensions (Inches)						
				A	B	C (Min)	C (Max)	D	E	F
N72W5375R	5" Round Grate	No Hub	2"	5-1/16	6-13/16	3/8	15/16	3	2-3/8	4-1/4
N72W5375S	5" Square Grate	No Hub	2"	5	6-13/16	11/16	1-1/4	3	2-3/8	4-1/4
N73W5375R	5" Round Grate	No Hub	3"	5-1/16	6-13/16	3/8	15/16	3	3-5/16	4-1/4
N73W5375S	5" Square Grate	No Hub	3"	5	6-13/16	11/16	1-1/4	3	3-5/16	4-1/4



3689 Arrowhead Drive, Carson City, NV 89706
 Phone (800) 854-3215 Fax (800) 243-1777
 E-mail sales@lspproducts.com
 Website www.lspproducts.com
 Content matter is subject to change at any time. It is the user's responsibility to ensure the most updated revisions are obtained.

Revised 02/2018