

### Features

- Includes face plate with handle.
- Single handle controls temperature setting.
- Supplied with ADA compliant metal traditional lever handle.
- Complements the Revival® faucet and accessory collections.

### Material

- Premium material construction with metal handle ensures reliability and durability.
- KOHLER finishes resist corrosion and tarnishing, exceeding industry durability standards.

### Installation

- Trim set requires valve to complete installation.
- Patented K-joint installation technology ensures consistent trim appearance, regardless of variability in valve rough-in.

### Required Products/Accessories

K-2972-KS 1/2" Thermostatic Mixing Valve

or

K-2975-KS 3/4" Thermostatic Mixing Valve



ADA CSA B651 OBC

### Codes/Standards




ASME A112.18.1/CSA B125.1  
ADA  
ICC/ANSI A117.1  
CSA B651  
OBC

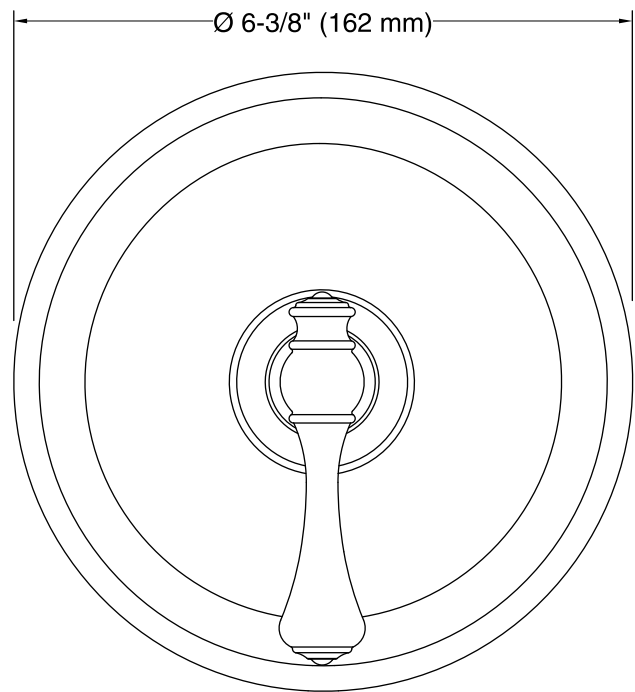
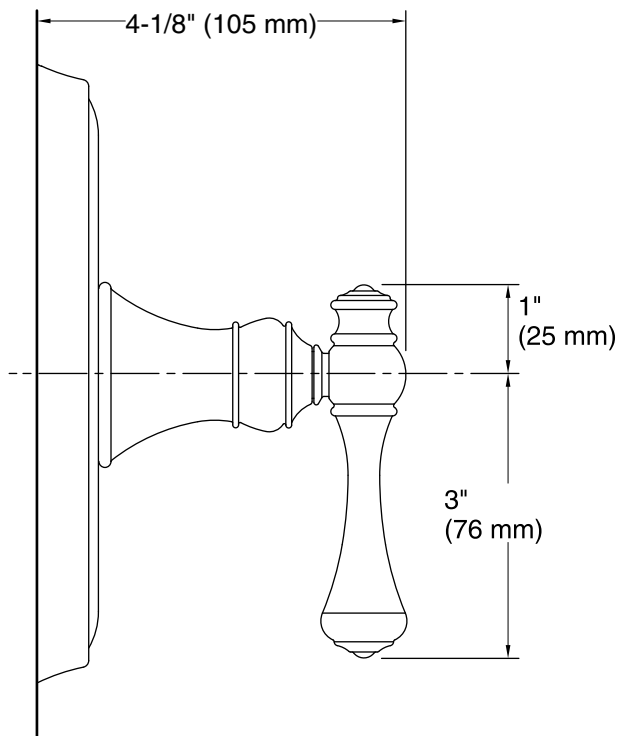
### KOHLER® Faucet Lifetime Limited Warranty

See website for detailed warranty information.

### Available Colors/Finishes

*Color tiles intended for reference only.*

| Color  | Code | Description             |
|--|------|-------------------------|
|  | CP   | Polished Chrome         |
|  | PB   | Vibrant® Polished Brass |
|  | BN   | Vibrant® Brushed Nickel |



**Technical Information**

All product dimensions are nominal.

**Notes**

Install this product according to the installation instructions.

ADA, OBC, CSA B651 compliant when installed to the specific requirements of these regulations.