

Features

- Two traditional lever handles allow for both volume and temperature control
- 9-1/4" (235 mm) spout reach.
- 1.2 gal/min (4.5 l/min) maximum flow rate [max at 60 psi (4.14 bar)].
- Quarter-turn washerless ceramic disc valves
- Coordinate with Revival faucets, accessories, and showering components to complete your bathroom.
- Premium Metal Construction
- Wall-mount installation
- Two-handle bathroom faucet trim only , requires K-410-K ceramic valve to complete installation
- Blending European style and early American influences
- Wall-mount installation offers flexibility for clutter-free countertops with traditional undercounter sinks or additional versatility in vessel-sink applications
- Quarter-turn washerless ceramic disc valves
- Quarter-turn ceramic disc valve platform guards against misalignment, handle wobble, and resists debris
- Completes Revival design solution with KOHLER® fixtures and accessories
- 1.2 gpm (gallons per minute) flow rate.

Installation

- Bath- or deck-mount.

Required Products/Accessories

K-410-K Wall-mount Valve

Optional Products/Accessories

K-7107 Decorative Drain
K-7108 Decorative Drain
K-7114 Pop-Up Drain
K-7124 Pop-Up Clicker Drain
K-7127 Drain
K-7129 Drain



ADA **CSA B651** **OBC**

Codes/Standards



ASME A112.18.1/CSA B125.1
NSF/ANSI 61
NSF/ANSI 372
All applicable US Federal and State material regulations
DOE - Energy Policy Act 1992
EPA WaterSense®
California Energy Commission (CEC)
ADA
ICC/ANSI A117.1
CSA B651
OBC

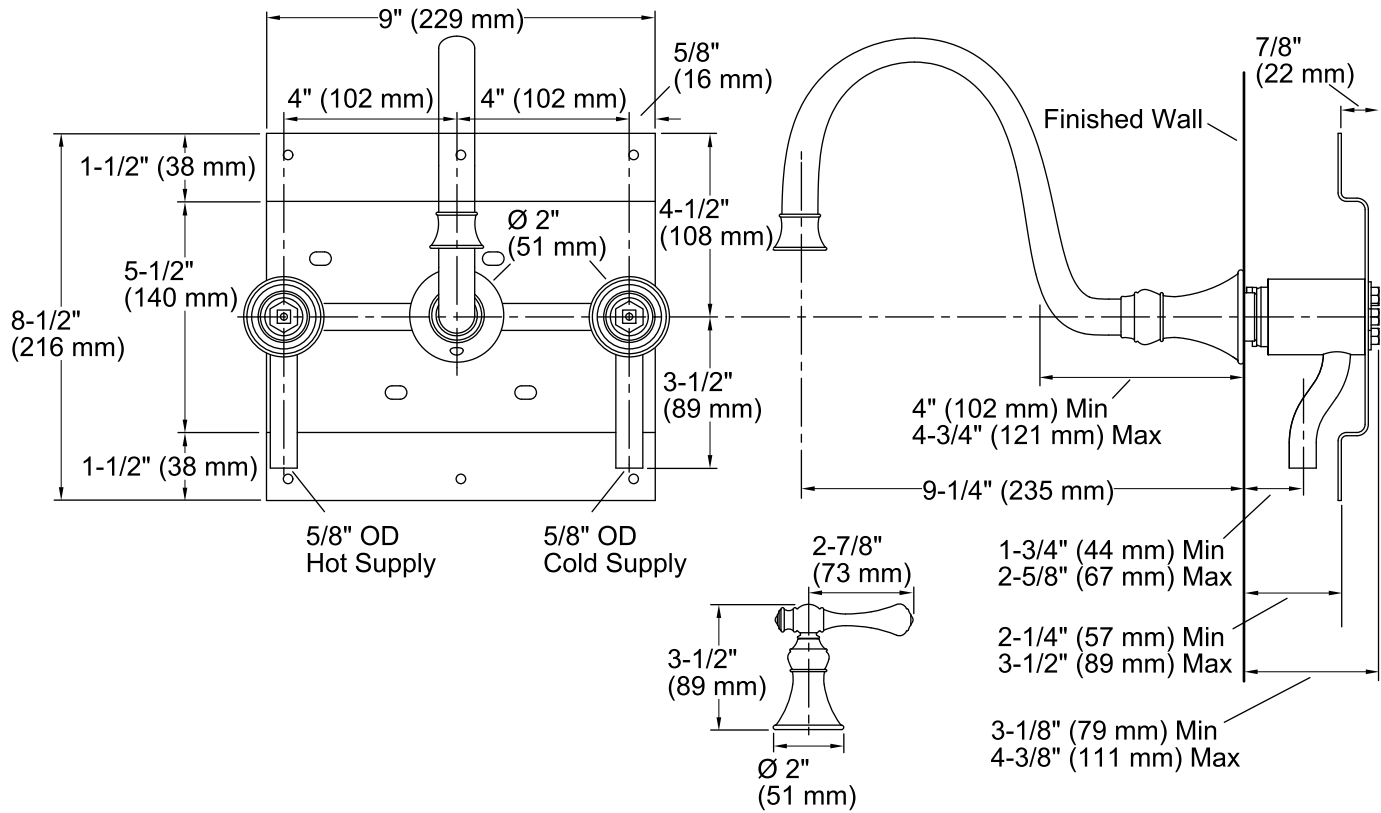
KOHLER® Faucet Lifetime Limited Warranty

See website for detailed warranty information.

Available Colors/Finishes

Color tiles intended for reference only.

Color	Code	Description
	CP	Polished Chrome
	PB	Vibrant® Polished Brass
	BN	Vibrant® Brushed Nickel
	BV	Vibrant® Brushed Bronze



Technical Information

All product dimensions are nominal.

Faucet:

Flow rate: 1.2 gal/min (4.5 l/min)

Pressure: 60 psi (4.1 bar)

Spout:

Spout reach: 9-1/4" (235 mm)

Handle clearance: 2-7/8" (73 mm)

Notes

Install this product according to the installation guide.

Three 1-1/2" (38 mm) diameter cutout holes are required for the spout and handles.

A minimum of 1-1/2" (38 mm) to 6" (152 mm) clearance space must be maintained between bottom of spout and top of the fixture rim.

ADA, OBC, CSA B651 compliant when installed to the specific requirements of these regulations.