

Features

- Premium construction ensures durability and reliability.
- 4-7/8" (124 mm) diverter spout with NPT connection.
- Reversible 1/2" quarter-turn washerless ceramic disc valves.
- Lever handles.
- Includes showerhead with arm and flange.

Recommended Products/Accessories

K-23723 Faucet cleaner



Codes/Standards

ASME A112.18.1/CSA B125.1
DOE - Energy Policy Act 1992

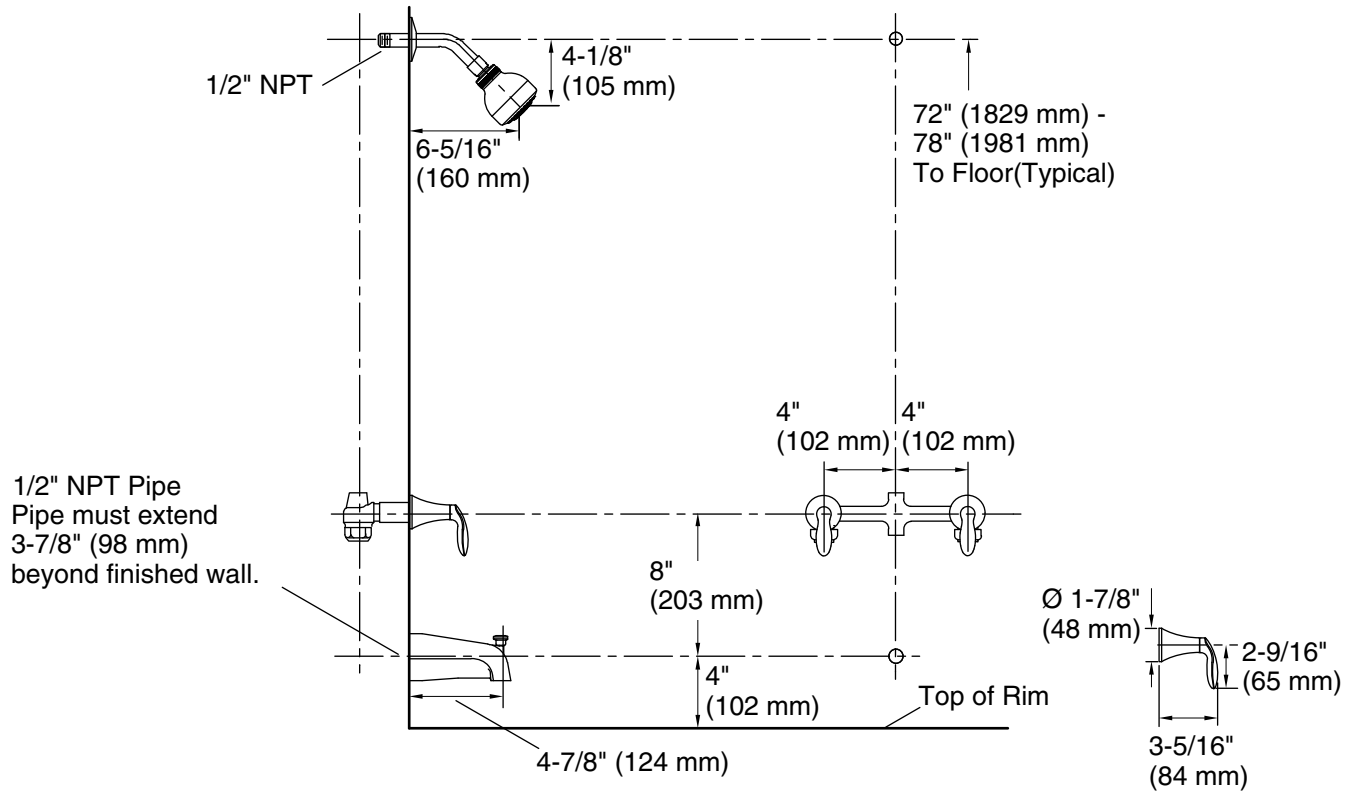
KOHLER® Faucet Lifetime Limited Warranty

See website for detailed warranty information.

Available Colors/Finishes

Color tiles intended for reference only.

Color	Code	Description
	CP	Polished Chrome



Technical Information

All product dimensions are nominal.

Showerhead/Body Spray:

Rated maximum flow: 2.5 gal/min (9.5 l/min)
 Pressure: 80 psi (5.5 bar)

Notes

Install this product according to the installation guide.