

Features

- Includes valve trim, bath spout, showerarm with flange, and showerhead (excludes face plate).
- Single lever handle controls both on/off activation and temperature setting.
- Includes non-diverter bath spout with 1/2" copper slip fit connection.
- Includes single function 2.5 gpm (9.5 l/min) showerhead with Katalyst® Air Induction Technology.
- Coordinates with Stance faucets and accessories to complete your bathroom.
- Pressure-balancing diaphragm technology maintains outlet temperature within +/-3 degrees Fahrenheit during water pressure fluctuations
- Showerhead features MasterClean™ sprayface for easy cleaning.
- Premium material construction with metal handle ensures reliability and durability.
- Trim set requires valve to complete installation.
- Rite-Temp® pressure-balancing technology maintains water temperature within +/-3 degrees Fahrenheit
- High-temperature limit stop allows you to preset a comfortable maximum temperature to eliminate scalding
- Premium material construction for durability and reliability
- KOHLER finishes resist corrosion and tarnishing.
- Coordinates with Stance faucets and accessories.

Installation

- Bath- or deck-mount.

Required Products/Accessories

K-11748 Series Rite-Temp® Valves



Codes/Standards


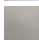
ASME A112.18.1/CSA B125.1
DOE - Energy Policy Act 1992

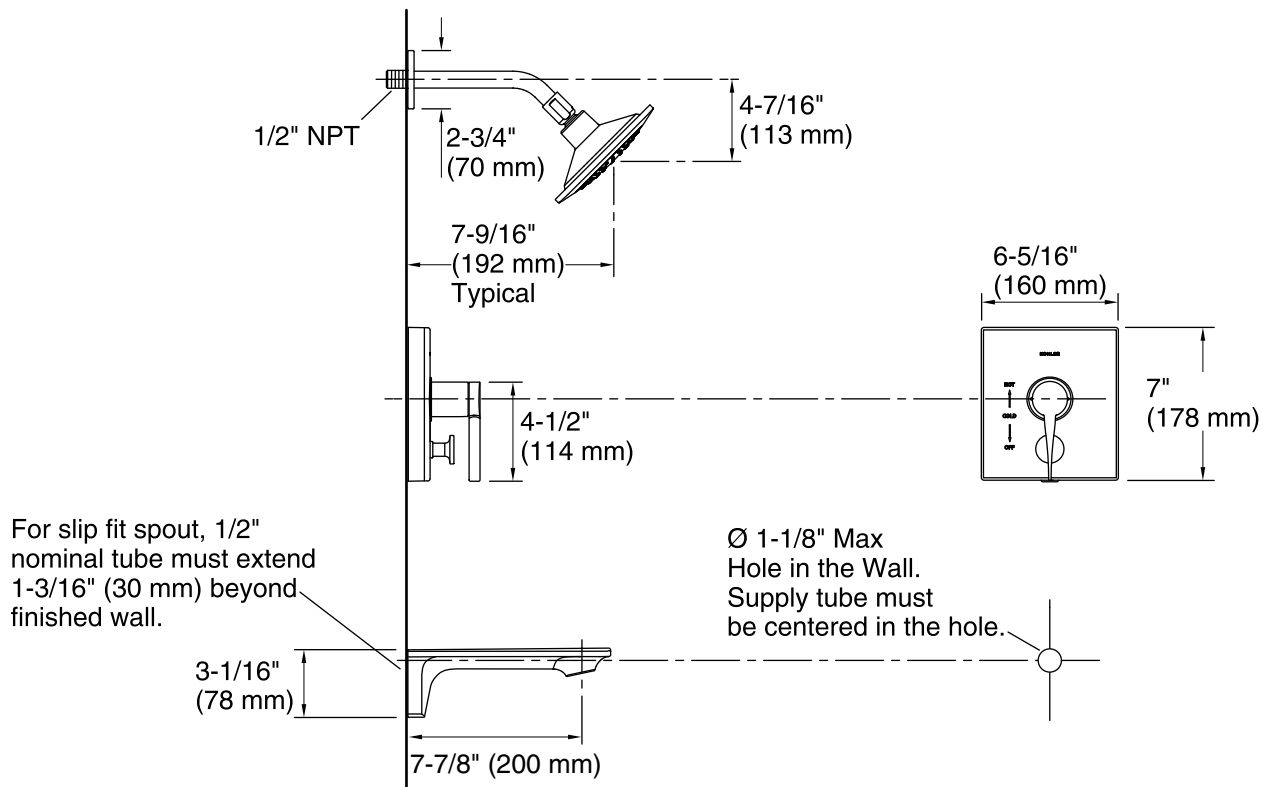
KOHLER® Faucet Lifetime Limited Warranty

See website for detailed warranty information.

Available Colors/Finishes

Color tiles intended for reference only.

Color	Code	Description
	CP	Polished Chrome
	BN	Vibrant® Brushed Nickel



Technical Information

All product dimensions are nominal.

Notes

Install this product according to the installation instructions.

Avoid cross-flow conditions. Do not install shut-off device on either valve outlet.

Install straight pipe or tube drop of 7" (178 mm) to 18" (457 mm) with single elbow between the valve and wall-mount spout.