

Features

- Includes valve trim with handle, showerarm with flange, and showerhead.
- Single lever handle controls both on/off activation and temperature setting.
- Coordinates with Stance faucets and accessories to complete your bathroom.
- Integrated push button diverter.
- Includes single function 2.5 gpm (9.5 l/min) showerhead with Katalyst® Air Induction Technology.
- Includes Katalyst showerhead
- Pressure-balancing diaphragm technology maintains outlet temperature within +/-3 degrees Fahrenheit during water pressure fluctuations.
- Showerhead features MasterClean™ sprayface for easy cleaning.
- Premium material construction with metal handle ensures reliability and durability.
- Trim set requires valve to complete installation.
- KOHLER finishes resist corrosion and tarnishing.
- Premium material construction for durability and reliability
- Rite-Temp® pressure-balancing technology maintains water temperature within +/-3 degrees Fahrenheit
- High-temperature limit stop allows you to preset a comfortable maximum temperature to eliminate scalding

Installation

- Bath- or deck-mount.

Required Products/Accessories

K-11748 Series Rite-Temp® Valves



Codes/Standards

ASME A112.18.1/CSA B125.1
DOE - Energy Policy Act 1992

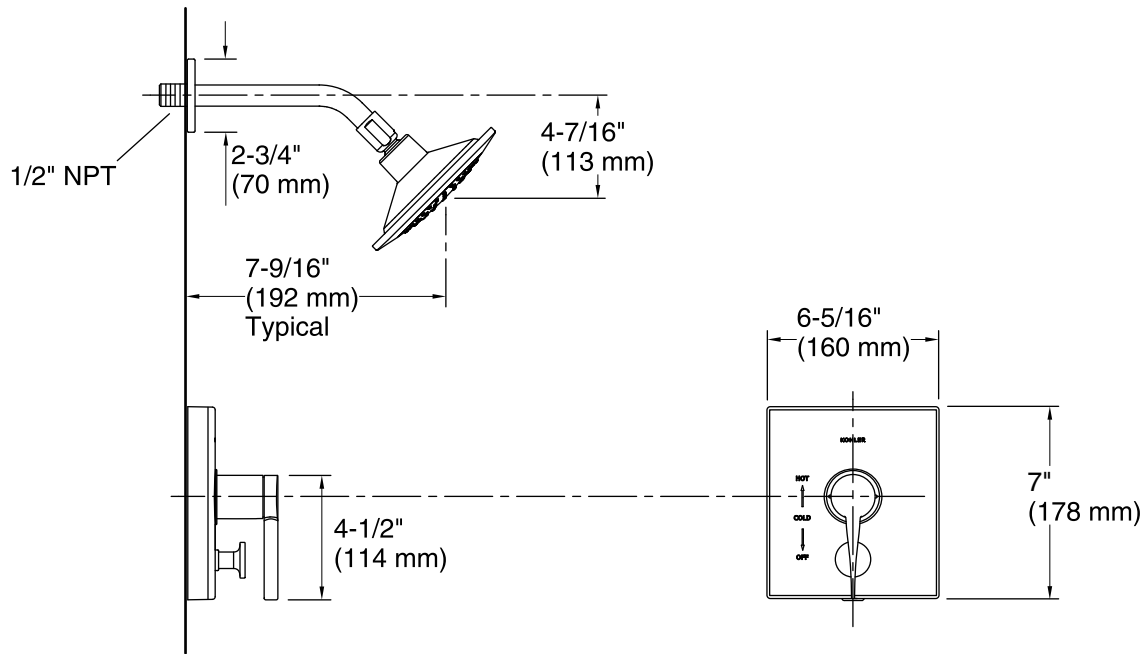
KOHLER® Faucet Lifetime Limited Warranty

See website for detailed warranty information.

Available Colors/Finishes

Color tiles intended for reference only.

Color	Code	Description
	CP	Polished Chrome



Technical Information

All product dimensions are nominal.

Notes

Install this product according to the installation instructions.

Avoid cross-flow conditions. Do not install shut-off device on either valve outlet.

Install straight pipe or tube drop of 7" (178 mm) to 18" (457 mm) with single elbow between the valve and wall-mount spout.