

### Features

- 7" (178 mm) non-diverter spouts with slip-fit connection.

### Material

- Brass construction.

### Installation

- Bath- or deck-mount.

### Required Products/Accessories

K-300-K High Flow Bath Valve

or

K-300-KR High Flow Valve w/ Rigid Connections

or

K-301-K ¾" High-Flow Bath Valve

### Recommended Products/Accessories

K-23723 Faucet cleaner

### Optional Products/Accessories

73444 Roughing-in Kit for 1/2" Valve Systems



ADA

CSA B651

OBC

### Codes/Standards

ASME A112.18.1/CSA B125.1

ADA

ICC/ANSI A117.1

CSA B651






OBC

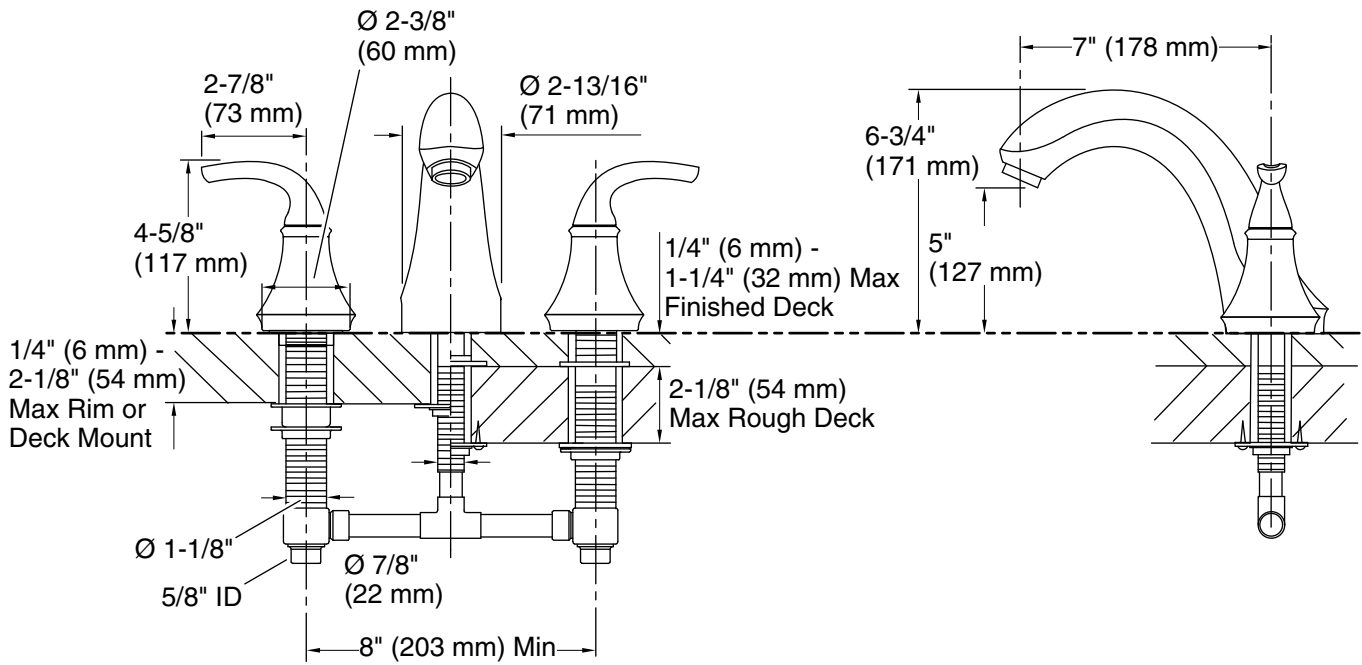
### KOHLER® Faucet Lifetime Limited Warranty

See website for detailed warranty information.

### Available Colors/Finishes

*Color tiles intended for reference only.*

Color	Code	Description
	CP	Polished Chrome
	AF	Vibrant® French Gold
	PB	Vibrant® Polished Brass
	BN	Vibrant® Brushed Nickel
	BV	Vibrant® Brushed Bronze
	GX	Polished Chrome with Vibrant French Gold Accents



Rim- or Deck-Mount Installation

Rough + Finished Deck Mount Installation

### Technical Information

All product dimensions are nominal.

### Notes

Install this product according to the installation instructions.

ADA, OBC, CSA B651 compliant when installed to the specific requirements of these regulations.