

Material

- Brass construction.

Installation

- Deck-mount

Required Products/Accessories

K-300-K High Flow Bath Valve

or

K-300-KR High Flow Valve w/ Rigid Connections

or

K-301-K ¾" High-Flow Bath Valve

Optional Products/Accessories

1071648 Deep Rough-in Kit

1086701 Roughing-in Kit for ¾" Valve Systems



Codes/Standards

ASME A112.18.1/CSA B125.1

KOHLER® Faucet Lifetime Limited Warranty

See website for detailed warranty information.

Available Colors/Finishes

Color tiles intended for reference only.

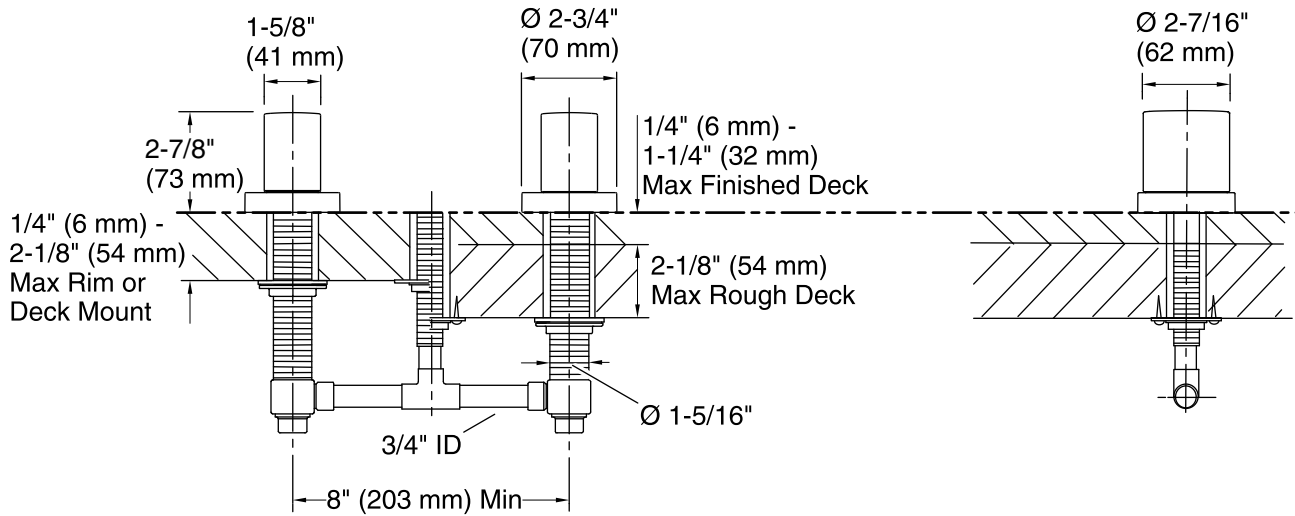
Color	Code	Description
-------	------	-------------



CP Polished Chrome



SN Vibrant® Polished Nickel



**Rim or Deck
 Mount Installation**

**Rough + Finished Deck
 Mount Installation**

Technical Information

All product dimensions are nominal.

Notes

Install this product according to the installation instructions.