

### Features

- Project pack: Supplied 12 per case.
- Includes face plate with handle, shower arm and flange.
- Single handle controls both on/off activation and temperature settings.
- Supplied with ADA compliant metal lever handle.
- For use with any KOHLER showerhead (sold separately).
- Complements Coralais faucets and accessories.

### Material

- Premium material construction with metal handle ensures reliability and durability.
- KOHLER finishes resist corrosion and tarnishing.

### Installation

- Trim only; requires valve to complete installation (sold separately).

### Required Products/Accessories

K-2971-KS 3/4" Pressure-balancing Valve

or

K-304-CS Pressure-balancing Valve With Stops

or

K-304-CX Pressure-balancing Valve Less Stops

or

K-304-K Pressure-balancing Valve Less Stops

or

K-304-KS Pressure-balancing Valve With Stops

or

K-304-PS Pressure-balancing Valve With Stops

or

K-304-PX Pressure-balancing Valve Less Stops

or

K-304-US Pressure-balancing Valve With Stops

or

K-304-UX Pressure-balancing Valve Less Stops

or

K-P304-CS Pressure-balancing Valve With Stops

or

K-P304-CX Pressure-balancing Valve Less Stops

or

K-P304-K Pressure-balancing Valve Less Stops

or

K-P304-KS Pressure-balancing Valve With Stops

or

K-P304-PS Pressure-balancing Valve With Stops

or

K-P304-PX Pressure-balancing Valve Less Stops

or

K-P304-UX Pressure-balancing Valve Less Stops

or

K-P304-US Pressure-balancing Valve With Stops



### Codes/Standards

ASME A112.18.1/CSA B125.1

### KOHLER® Faucet Lifetime Limited Warranty

See website for detailed warranty information.

### Available Colors/Finishes

*Color tiles intended for reference only.*

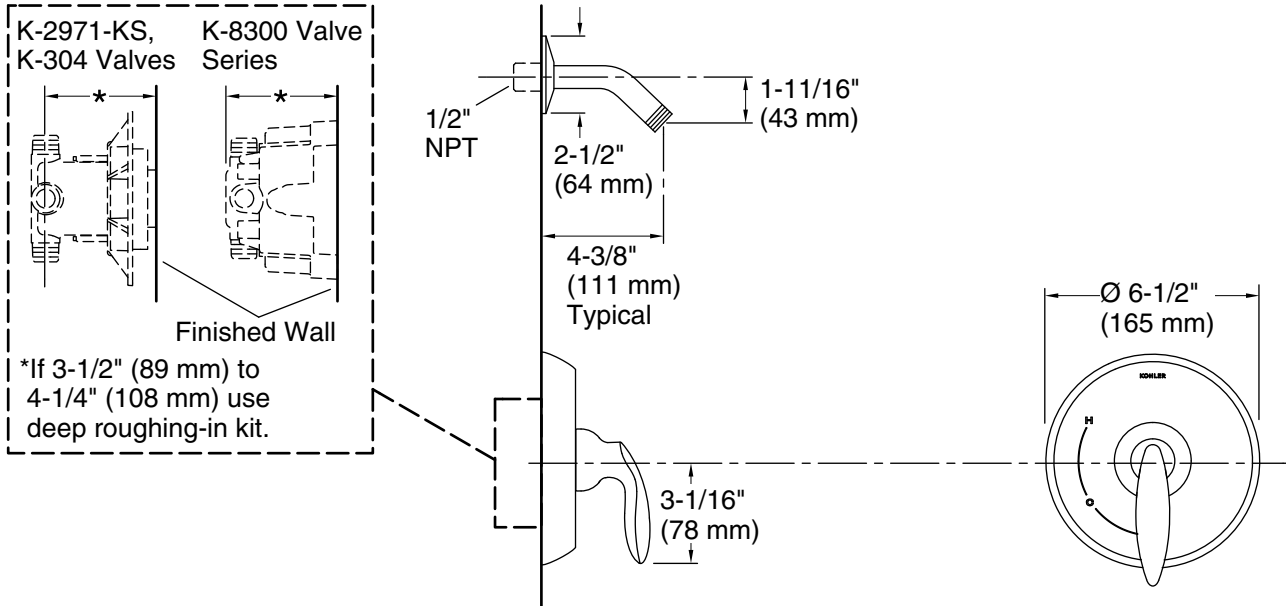
Color	Code	Description
	CP	Polished Chrome

1-800-4KOHLER (1-800-456-4537)

Kohler Co. reserves the right to make revisions without notice to product specifications.

For the most current Specification Sheet, go to [www.kohler.com](http://www.kohler.com).

THE BOLD LOOK  
OF **KOHLER**®



### Technical Information

All product dimensions are nominal.

### Notes

Install this product according to the installation guide.

**NOTICE:** Risk of product damage. Long screws for installing trim can damage the K-2971-KS valve. Consult the trim installation guide to verify if the thin wall installation kit (88526) is needed.

Install straight pipe or tube drop of 7" (178 mm) to 18" (457 mm) with single elbow between the valve and the wall-mount spout. Elbow must be a 90 degree drop ell that is secured to rigid framing.