

Features

- 0.5 gal/min (1.9 l/min) flow rate.
- Factory set 30 second max. continual run cycle .
- Vandal-resistant aerator.
- 24" (610 mm) flexible supply hoses for easy installation.
- 5-3/4" (146 mm) spout reach.
- Less temperature mixer.
- Less drain.

Material

- Brass construction.

Technology

- Requires an AC power supply.
- Electronic Insight™ Sensor Technology for accurate and consistent activation.

Installation

- Single-hole mounting .
- Above-counter valve for easy installation and maintenance.
- Please order 13480-A or 13481-A power supplies for North America installations

Required Accessories

K-13480-A

or

K-13481-A

or

K-13480 AC Single Supply

or

K-13481 Multi-outlet Power Supply

Optional Accessories

1160595 .35 gpm Aerator, Medium

1075455 Medium Spray 0.5 gpm (1.9 l/min)

1139284 Medium Aerated 1.0 gpm (3.8 l/min)

1139285 Medium Laminar 1.0 gpm (3.8 l/min)

1097180 Medium Aerated 1.5 gpm (5.7 l/min)

1104546 Medium Laminar 1.5 gpm (5.7 l/min)

79441 Sealing Washer



ADA

CSA B651

OBC

Codes/Standards

ASME A112.18.1/CSA B125.1

NSF 372

All applicable US Federal and State material regulations

DOE - Energy Policy Act 1992

ADA

ICC/ANSI A117.1

CSA B651



OBC

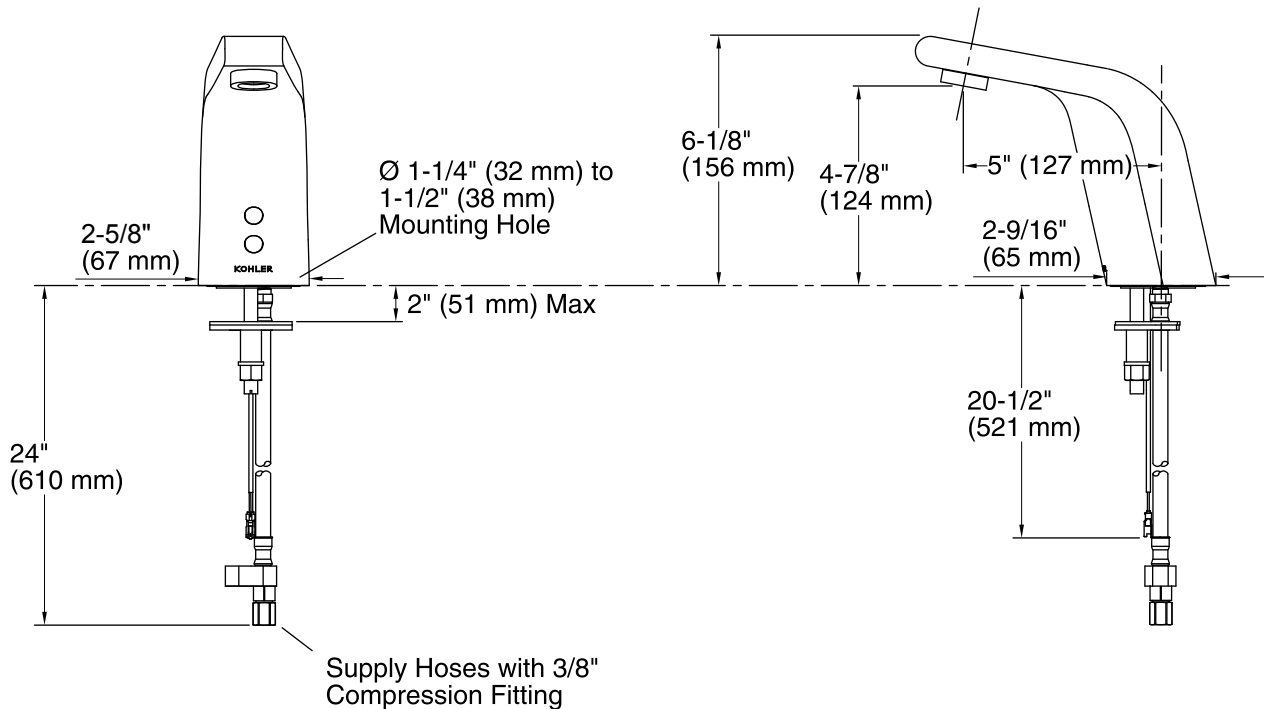
KOHLER® One-Year Limited Warranty

See website for detailed warranty information.

Available Color/Finishes

Color tiles intended for reference only.

Color	Code	Description
	CP	Polished Chrome
	VS	Vibrant® Stainless



Technical Information

All product dimensions are nominal.

Valve body: Machined Brass

Faucet:

Flow rate: 0.5 gal/min (1.9 l/min)

Notes

Install this product according to the installation guide.

A $1\text{-}1/4\text{'' (32 mm)}$ minimum to $1\text{-}1/2\text{'' (38 mm)}$ maximum diameter mounting hole is required.

The minimum distance between the back of the faucet spout and the wall must be $1\text{-}3/4\text{'' (44 mm)}$. This will allow proper clearance for setscrew access.

The maximum distance between the bathroom sink basin edge to the base of the faucet spout must be $1\text{-}3/4\text{'' (44 mm)}$.

The maximum height of the lip basin should be $3/4\text{'' (19 mm)}$.

Product includes rosebud spray aerator. Other aerator styles are available.

This product requires an AC power supply (not included).

ADA, OBC, CSA B651 compliant when installed to the specific requirements of these regulations.