

Installation and Care Guide

Amplifier

K-99696-NA

Français, page "Français-1"
Español, página "Español-1"

THE BOLD LOOK
OF **KOHLER**®

1232038-2-C

IMPORTANT INSTRUCTIONS



WARNING: When using electrical products, basic precautions should always be followed, including the following:



WARNING: Risk of electric shock. A qualified electrician should route all electrical wiring.



WARNING: Risk of electric shock. Disconnect power before servicing.

CAUTION: Risk of product damage. The amplifier is rated to operate in temperatures up to 104°F (40°C). Do not install near heat sources (such as radiators or heat registers) or in any location where the temperature may exceed 104°F (40°C).

NOTICE: This product is not water-resistant. Do not install in a location where excessive moisture, high humidity levels, or condensation are present.

NOTICE: Follow all electrical and building codes.

NOTICE: Provide unrestricted service access to the amplifier.

NOTICE: Provide a minimum of 6" (152 mm) of space around the amplifier for proper air flow.

NOTE: This amplifier can be operated as a stand-alone unit, or can be installed with the DTV+ showering system.

Operation with DTV+

- To connect the amplifier to the DTV+ system, the K-99695 system controller is required.
- The provided data cable is used to connect the amplifier to the system controller.
- Refer to the "DTV+ System Layout" section in this guide.

Before Operating the System For the First Time:

Download and install the latest software for connected components. This may take an hour or more to complete based on system configuration and internet connection speed. **Do not disconnect the power from any components during software download and installation.**

FCC, IC, and CE Compliance

Contains: Kohler Company, Model: K-99696-NA, FCC ID: N82-KOHLER010, IC: 4554A-KOHLER010, CE: CE2200

IFT Certification Number: 201801A02469

FCC Interference Statement

This device complies with Part 15 of the FCC Rules. Operation is subject to the following two conditions:

1. This device may not cause harmful interference, and
2. This device must accept any interference received, including interference that may cause undesired operation.

Changes or modifications not expressly approved by the party responsible for compliance could void the user's authority to operate the equipment.

This equipment has been tested and found to comply with the limits for a Class B digital device, pursuant to Part 15 of the FCC Rules. These limits are designed to provide reasonable protection against harmful interference in a residential installation. This equipment generates, uses, and can radiate radio frequency energy and, if not installed and used in accordance with the instructions, may cause harmful interference to radio communications. However, there is no guarantee that interference will not occur in a particular installation. If this equipment does cause harmful interference to radio or television reception, which can be determined by turning the equipment off and on, the user is encouraged to try to correct the interference by one or more of the following measures:

- Reorient or relocate the receiving antenna.
- Increase the separation between the equipment and receiver.
- Connect the equipment into an outlet on a circuit different from that to which the receiver is connected.
- Consult the dealer or an experienced radio/TV technician for help.

Industry Canada Statement

This device complies with Industry Canada licence-exempt RSS standard(s). Operation is subject to the following two conditions:

1. This device may not cause interference, and
2. This device must accept any interference, including interference that

FCC, IC, and CE Compliance (cont.)

may cause undesired operation of the device.

CAN ICES-3(B) /NMB-3(B)

CE2200

Range and Function Disclaimer

BLUETOOTH® is the name for a short-range radio frequency (RF) technology that operates at 2.4 GHz. The effective range of most BLUETOOTH mobile devices is 10 meters. BLUETOOTH is designed for very low power use. The compatibility of the BLUETOOTH amplifier interface to mobile/portable devices differs according to the various individual devices and, in particular, may vary with different software versions for a device. The normal mobile device BLUETOOTH range can be up to 10 meters, however, placement of your mobile device and the BLUETOOTH amplifier's installation environment will impact your reception range.

Water and walls can act as blocking agents to the BLUETOOTH signal that your mobile device is using to broadcast to your BLUETOOTH amplifier. Therefore, selecting an installation location that removes these range blocking obstacles will increase the effective range and performance of your BLUETOOTH amplifier.

You can test your BLUETOOTH reception by performing simple range tests using your mobile device prior to performing a permanent installation. The best way to make use of the short BLUETOOTH range is to make sure your BLUETOOTH amplifier is as close to the BLUETOOTH transmitter (mobile phone, tablet, etc.) as possible. The less distance between the two devices, the greater will be the reliability of your BLUETOOTH audio signal, and the less distance means less obstacles in the medium through which the transmission is passing, so there is a reduced chance of audio signal loss.

The compatibility of the BLUETOOTH amplifier to mobile/portable devices differs according to the various individual devices and, in particular, may vary with different software versions for a device. All functions are based on industry-wide communications standards. Compatibility between the BLUETOOTH amplifier and mobile device is therefore largely dependent upon the software version of the mobile device. Other factors (e.g. installation location, walls, distance) mean that in individual cases, sporadic impairment of functions may occur in devices that otherwise function reliably. Not all functions are supported in all countries.

Because of these reasons, Kohler Co. can assume no guarantee for the

Range and Function Disclaimer (cont.)

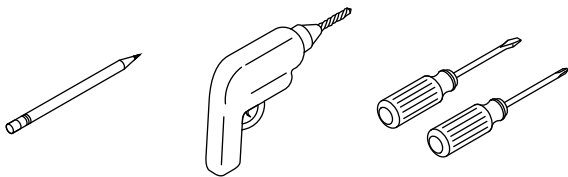
unlimited compatibility and functionality of your mobile device in conjunction with the BLUETOOTH amplifier.

The BLUETOOTH® word mark and logos are registered trademarks owned by Bluetooth SIG, Inc. and any use of such marks by Kohler Co. approved suppliers is under license. Other trademarks and trade names are those of their respective owners.

Specifications

Ambient Temperature	Max 104°F (40°C)
Maximum Relative Humidity	90% non-condensing
Electrical Service	100-240 VAC, 50-60 Hz, 1.2 A Max
Power Cable Length	69" (1753 mm)
Data Cable Length	6' (1.83 m)
Output Power	20 Watts x 2 into 4 Ohms
Frequency Response	20 Hz - 18 kHz +/- 3dB
Signal/Noise Ratio	>75 dB
Total Harmonic Distortion	<0.1% at 1 Watt, <1% at full output power

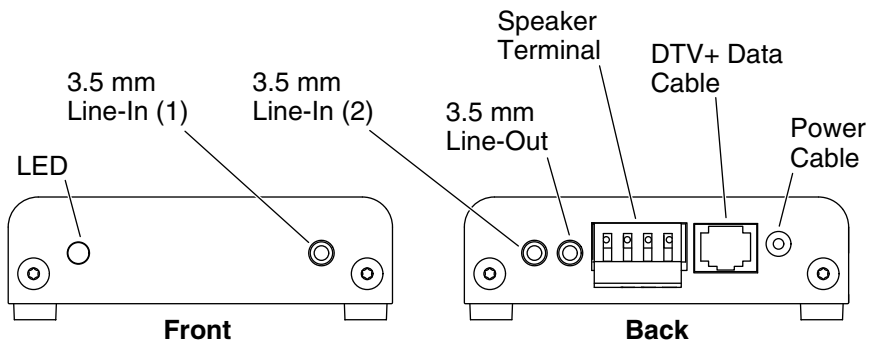
Tools and Materials



Plus:
• Wire Cutter/Stripper

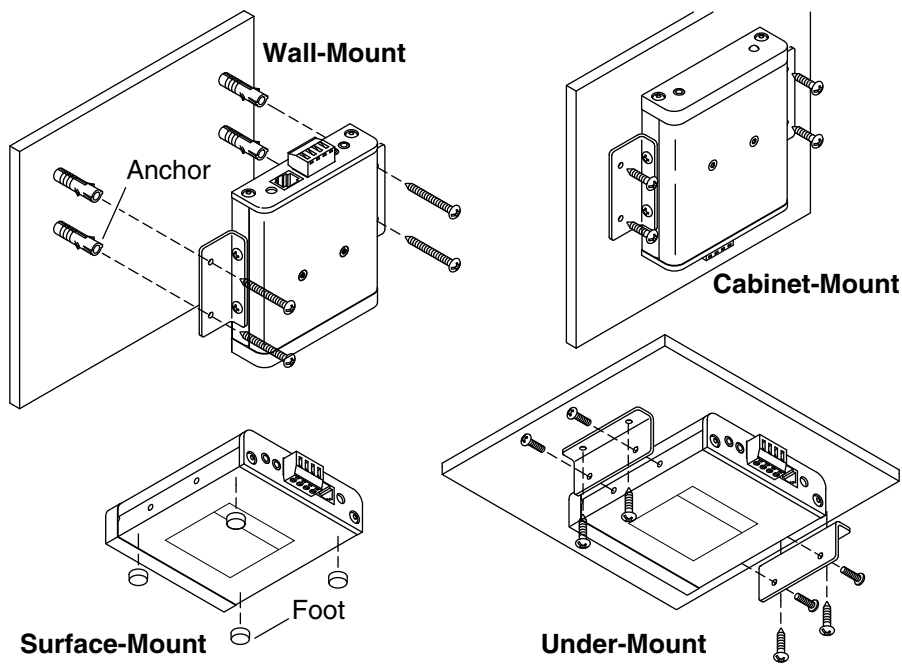
Before You Begin

- Determine amplifier and speaker locations before beginning installation. Test the BLUETOOTH® range between the amplifier and your wireless device when determining amplifier location.
- The amplifier can be mounted in any orientation. Use the supplied brackets or rubber feet to accommodate your mounting configuration.
- Locate the amplifier within close proximity to a 15 A, 120 V electrical outlet. A GFCI outlet may be required in certain applications.
- A qualified electrician should install any electrical outlet.
- If possible, install the electrical outlet prior to installing the amplifier.
- This amplifier complies with CE, FCC, and IC.



1. Preparation

- Plan the location of the amplifier to allow access to the front and back ports.
- To play your personal music files, you need a wireless BLUETOOTH device, or a device with a 3.5 mm stereo cable connection.
- The speaker terminal connections on the amplifier will accept a 12-24 AWG wire. Follow local codes for speaker wire type and routing.
- Allow adequate reach for wires between the amplifier and speaker locations.
- Make sure the LED light will be visible after installation.
- **For DTV+:** Allow adequate reach for the data cable between the amplifier and the system controller, or obtain a longer Ethernet-style cable or extension cable.



2. Installation

CAUTION: Risk of product damage. The amplifier is rated to operate in temperatures up to 104°F (40°C). Do not install near heat sources (such as radiators or heat registers) or in any location where the temperature may exceed 104°F (40°C).

NOTICE: Mount the amplifier in a dry location, and provide a minimum of 6" (152 mm) of space for proper air flow.

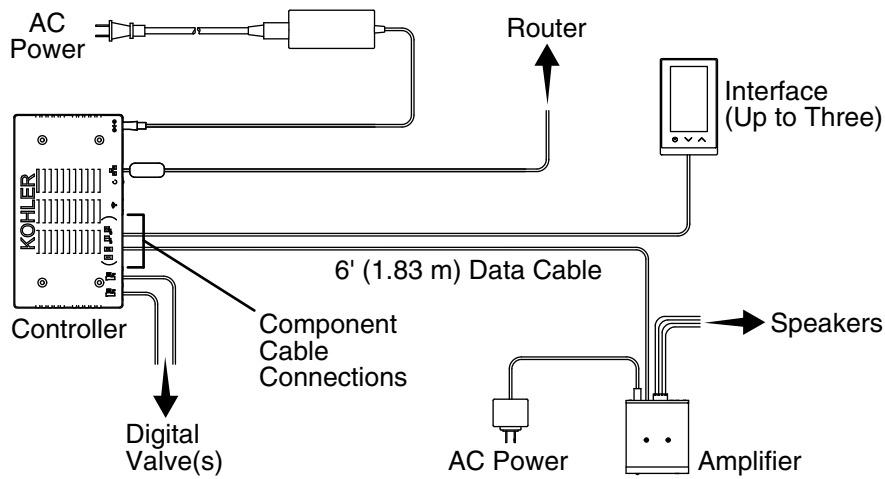
Mounting Options

- **Surface-mount:** Attach the four rubber feet to the underside of the amplifier to protect against scratching your shelf or countertop surface.
- **Cabinet-mount:** Install the amplifier using the mounting brackets and short screws.
- **Under-mount:** Flip the orientation of the brackets on the amplifier to install it in an upright position.
- **Wall-mount:** Secure the amplifier using the mounting brackets, long screws, and wall anchors (if needed).

Installation (cont.)

Bracket Installation

- Position the amplifier with attached brackets in the desired location.
- Mark the bracket hole locations with a pencil.
- Drill pilot holes or insert anchors as needed at the marked locations.
- Secure the brackets using the four screws provided.



3. DTV+ System Layout

The amplifier can be controlled digitally when connected to the K-99695 system controller. The controller powers the interface(s) and controls the amplifier and other system components.

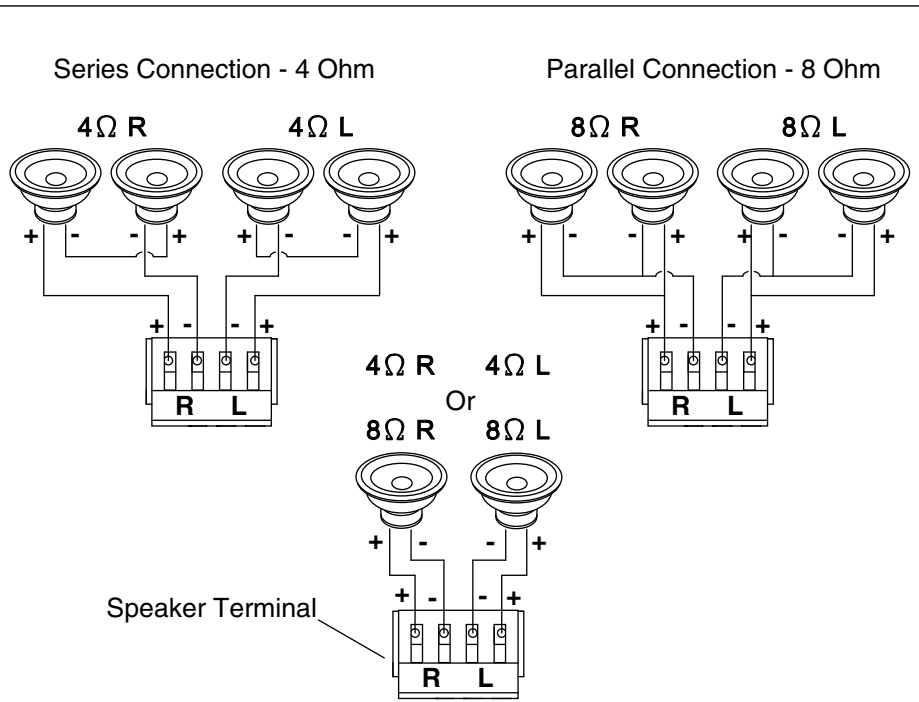
NOTE: A data cable is provided to connect the amplifier to the controller. If the amplifier is not within 6' (1.83 m) of the controller, obtain a longer Ethernet-style cable or add an extension cable.

- Disconnect the power from the amplifier and the controller.
- Connect one end of the data cable into the port on the back of the amplifier.
- Connect the other end of the cable into one of the eight grouped component ports on the controller.
- Reconnect the power to the amplifier and the controller.

Before Operating the DTV+ System For the First Time:

Download and install the latest software for connected components. This may take an hour or more to complete based on system configuration and internet connection speed. **Do not disconnect the power from any components during software download and installation.**

For more information on system setup and operation, refer to the guide on the controller product page at www.us.kohler.com.

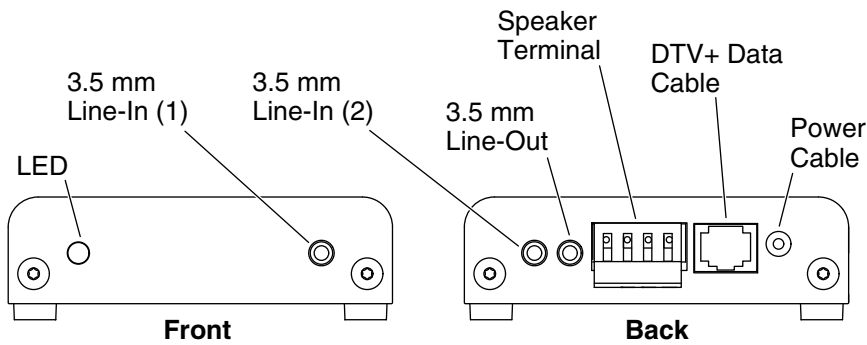


4. Speaker Connections

NOTE: This amplifier allows 2- or 4-speaker stereo output. Refer to the connection diagram above for your wiring configuration.

NOTE: The speaker terminal will accept a 12-24 AWG wire. Follow local codes for routing speaker wires.

- Disconnect the power from the amplifier.
- Using a wire stripper, remove approximately 1/2" (13 mm) of insulation from the speaker wire.
- Insert the wire into the appropriate positive (+) or negative (-) and right (R) or left (L) terminal connector.
- Repeat for the remaining speaker wires.
- Reconnect the power to the amplifier.
- Verify that the status LED light turns on.



5. Operation

NOTE: Set your music device to a midrange volume after connecting to the amplifier, but prior to sending an audio signal from the device.

Status LED Light

- **Yellow** = standby mode.
- **Blue blink** = standby mode with BLUETOOTH® connection.
- **Blue** = audio input from a BLUETOOTH device.
- **Green** = audio input from the front or back 3.5 mm line-in port.

3.5 mm Stereo Input

- A wired audio device can be connected to either the front or back line-in ports.
- The front line-in port (1) will override the back port (2).
- Once a signal is detected from the device, the LED will turn green and the audio input will fade in.
- If the LED does not turn green when the device is turned on, increase the volume on the device.
- Audio input may be slightly delayed when a device is initially connected.

Wireless Input

- Once a BLUETOOTH device is connected, the LED will blink blue.
- The amplifier will display on the device as "Kohler KA02."
- If a BLUETOOTH pin is required, enter "0000."

Operation (cont.)

NOTE: If connected to a DTV+ system, the pin and device name can be changed using the controller Web pages.

- Upon receiving a wireless signal, the LED will turn solid blue and the audio input will fade in.
- Wireless input will override any signal that may be coming from the front or back line-in ports.

3.5 mm Stereo Output

- A line-out port is available to provide unamplified stereo output of the audio signal that can be fed to another external device.

Standby Mode

- If no audio signal is detected for 30 seconds from the 3.5 mm line-in ports, the amplifier will go into standby mode and the LED will turn yellow.
- **BLUETOOTH Standby:** If no audio signal is detected for 30 seconds from a connected wireless device, the amplifier will go into BLUETOOTH standby mode and the LED will change from solid blue to blue blink.

DTV+ Operation

- For information on operating the amplifier using the DTV+ system, refer to the guide on the K-99695 controller product page at www.us.kohler.com.

Troubleshooting

IMPORTANT! Turn off the power supply before performing any maintenance.

NOTE: For DTV+ system troubleshooting, refer to the guide on the K-99695 controller product page at us.kohler.com.

NOTE: For service parts information, visit your product page at kohler.com/serviceparts.

This troubleshooting guide is for general aid only. For service and installation issues or concerns, call 1-800-4KOHLER.

Troubleshooting (cont.)

Troubleshooting Table

Symptoms	Probable Cause	Recommended Action
1. One or both speakers do not produce sound, or sound is too low in a two speaker setup.	A. Speaker cable is not plugged in properly.	A. Make sure the cables are properly installed into the amplifier connections and to the left and right speakers.
2. One or more speakers do not produce sound, or sound is too low in a four speaker setup.	A. Damaged speaker or speaker not plugged in. B. Speaker cable is not connected properly.	A. Make sure the speaker cables are properly installed into the appropriate positive (+) and negative (-) connectors on the amplifier. B. Connect 4 Ohm speakers in series and 8 Ohm speakers in parallel.
3. After playing music loudly, the music stops even though a song is properly selected.	A. Thermal shut down.	A. Shut down the system for 1 hour to allow the unit to cool. Make sure the area where the unit is installed does not exceed 104°F (40°C).
4. The status LED is not illuminated.	A. Power supply is not plugged into the outlet. B. Power supply connection to the amplifier may be loose or disconnected. C. The outlet is not powered. D. Circuit breaker has been tripped.	A. Plug the power supply into the outlet. B. Check power supply connection to the amplifier and reconnect if needed. C. Make sure there is power to the electrical outlet. D. Reset the circuit breaker.

Troubleshooting (cont.)

Troubleshooting Table

Symptoms	Probable Cause	Recommended Action
5. No sound plays through the speakers.	A. The song is paused. B. The volume is too low.	A. Make sure a song is playing. If the song is paused, press the resume feature to continue playback. B. Make sure the volume is turned up high enough for proper enjoyment.
6. The amplifier is not connecting to my BLUETOOTH® device.	A. The BLUETOOTH device is not within range. B. The BLUETOOTH device is not paired with the amplifier.	A. Make sure the BLUETOOTH device is within range of your amplifier. B. Pair your BLUETOOTH device with the amplifier according to the pairing instructions for your BLUETOOTH device.
7. The LED is blue, but the audio signal is intermittent.	A. The BLUETOOTH device is not within full range.	A. Move the BLUETOOTH device closer to the amplifier location.

Warranty

KOHLER® Electronic Faucets, Valves and Controls FIVE-YEAR LIMITED WARRANTY

Kohler Co. warrants that its electronic faucets, valves and controls will be free of defects in material and workmanship during normal residential use for five years from the date the product is installed. This warranty applies only to electronic faucets, valves and controls installed in the United States of America, Canada and Mexico ("North America").

If a defect is found in normal residential use, Kohler Co. will, at its election, repair, provide a replacement part or product, or make appropriate adjustment where Kohler Co.'s inspection discloses any such defect. Damage caused by accident, misuse, or abuse is not

Warranty (cont.)

covered by this warranty. Improper care and cleaning will void the warranty*. Proof of purchase (original sales receipt) must be provided to Kohler Co. with all warranty claims. Kohler Co. is not responsible for labor charges, installation, or other incidental or consequential costs other than those noted above. In no event shall the liability of Kohler Co. exceed the purchase price of the faucet, valve or control

If you believe that you have a warranty claim, contact your Home Center, Dealer, Plumbing Contractor or E-tailer. Please be sure to provide all pertinent information regarding your claim, including a complete description of the problem, the product, model number, the date the product was purchased, from whom the product was purchased and the installation date. Also include your original invoice.

For other information, or to obtain the name and address of the service and repair facility nearest you, write Kohler Co., Attn: Customer Care Center, Kohler, Wisconsin 53044 USA, or by calling 1-800-4-KOHLER (1-800-456-4537) from within the USA and Canada, and 001-800-456-4537 from within Mexico, or visit www.kohler.com within the USA, www.ca.kohler.com from within Canada, or www.mx.kohler.com in Mexico.

THE FOREGOING WARRANTIES ARE IN LIEU OF ALL OTHER WARRANTIES, EXPRESS OR IMPLIED, INCLUDING BUT NOT LIMITED TO THE IMPLIED WARRANTIES OF MERCHANTABILITY AND FITNESS FOR A PARTICULAR PURPOSE.

KOHLER CO. AND/OR SELLER DISCLAIM ANY LIABILITY FOR SPECIAL, INCIDENTAL OR CONSEQUENTIAL DAMAGES. Some states/provinces do not allow limitations on how long an implied warranty lasts or the exclusion or limitation of such damages, so these limitations and exclusions may not apply to you. This warranty gives the consumer specific legal rights. You may also have other rights that vary from state/province to state/province. This warranty is to the original consumer purchaser only, and excludes product damage due to installation error, product abuse, or product misuse, whether performed by a contractor, service company, or the consumer.

This is Kohler Co.'s exclusive written warranty.

*Never use cleaners containing abrasive cleansers, ammonia, bleach, acids, waxes, alcohol, solvents or other products not recommended for chrome. This will void the warranty.

Guide d'installation et d'entretien

Amplificateur

K-99696-NA

INSTRUCTIONS IMPORTANTES



WARNING: Lors de l'utilisation de produits électriques, toujours observer les précautions de base, dont les suivantes :



WARNING: Risque de choc électrique. Tout le câblage électrique doit être réalisé par un électricien qualifié.



WARNING: Risque de choc électrique. Déconnecter l'alimentation électrique avant d'effectuer un entretien.

CAUTION: Risque d'endommagement du produit. L'amplificateur est destiné à fonctionner à des températures de 104°F (40°C) maximum. Ne pas installer à proximité de sources de chaleur (comme des radiateurs ou des registres de chaleur), ni dans des endroits où la température pourrait dépasser 104°F (40°C).

NOTICE: Ce produit n'est pas hydropur. Ne pas installer dans un endroit avec une humidité excessive, avec des niveaux de haute humidité ou avec condensation.

NOTICE: Respecter tous les codes électriques et codes du bâtiment locaux.

NOTICE: Fournir un accès libre à l'amplificateur aux fins d'entretien.

NOTICE: Fournir un minimum de 6 po (152 mm) d'espace autour de l'amplificateur pour assurer une circulation d'air appropriée.

NOTE: Cet amplificateur peut être utilisé comme unité autonome ou il peut être installé avec le système de douche DTV+.

Fonctionnement avec DTV+

- Pour connecter l'amplificateur au système DTV+, le module de commande du système K-99695 est requis.
- Le câble de données fourni est utilisé pour connecter l'amplificateur au module de commande du système.

INSTRUCTIONS IMPORTANTES (cont.)

- Se référer à la section « Disposition du système DTV+ » dans ce guide.

Avant de faire fonctionner le système la première fois :

Télécharger et installer le dernier logiciel pour les composants connectés. Une heure ou plus peuvent être nécessaires en fonction de la configuration du système et de la vitesse de connexion internet. **Ne pas déconnecter l'alimentation électrique des composants pendant le téléchargement et l'installation du logiciel.**

Conformité FCC, IC et CE

Contenu : Kohler Company, Modèle : K-99696-NA, ID FCC : N82-KOHLER010, IC : 4554A-KOHLER010, CE : CE2200

Numéro de certification IFT : 201801A02469

Déclaration d'interférence FCC

Cet appareil est conforme à la section 15 des réglementations de la FCC. L'exploitation est autorisée aux deux conditions suivantes :

1. Cet appareil ne doit pas provoquer d'interférences néfastes, et
2. Cet appareil doit tolérer les interférences reçues, y compris celles qui risquent de provoquer un fonctionnement indésirable.

Tous changements ou modifications non expressément approuvés par la partie responsable garantissant la conformité, pourraient annuler le droit à l'utilisateur d'opérer l'équipement.

Cet appareil a été testé et est considéré conforme aux limitations d'un appareil numérique de classe B, selon la section 15 des réglementations FCC. Ces limites sont conçues pour fournir une protection raisonnable contre toute interférence nuisible lors d'une installation résidentielle. Cet appareil génère, utilise et peut émettre une énergie de radiofréquence et, s'il n'est pas installé et utilisé conformément aux instructions, pourrait être la cause d'interférences nuisibles aux communications par radio. Cependant, il n'est pas garanti qu'aucune interférence n'aura lieu dans une installation particulière. Si cet appareil cause des interférences nuisibles à la réception radio ou télévision, ce qui peut être déterminé en éteignant l'appareil et en le rallumant, il est recommandé d'essayer de rectifier cette interférence en prenant l'une ou plusieurs des mesures suivantes :

- Réorienter ou changer l'emplacement de l'antenne de réception.

Conformité FCC, IC et CE (cont.)

- Augmenter la séparation entre l'équipement et le récepteur.
- Brancher l'équipement sur une prise d'un circuit différent de celui auquel le récepteur est connecté.
- Consulter un revendeur ou un technicien radio/TV expérimenté pour obtenir de l'assistance.

Déclaration d'Industrie Canada

Le présent appareil est conforme aux CNR d'Innovation, Sciences et Développement économique Canada applicables aux appareils radio exempts de licence. L'exploitation est autorisée aux deux conditions suivantes :

1. L'appareil ne doit pas produire de brouillage, et
2. Cet appareil doit tolérer les interférences reçues, y compris celles qui risquent de provoquer un fonctionnement indésirable.

CAN ICES-3(B) /NMB-3(B)

CE2200

Non responsabilité pour la portée et le fonctionnement

BLUETOOTH® est le nom d'une technologie de radiofréquence (RF) à courte portée qui fonctionne à 2,4 GHz. La portée efficace de la plupart des appareils mobiles BLUETOOTH est de 10 mètres. Les appareils BLUETOOTH sont conçus pour une utilisation très faible de courant. La compatibilité de l'interface de l'amplificateur BLUETOOTH avec les appareils mobiles/portables varie en fonction des divers appareils individuels, et, en particulier, elle peut varier avec des versions de logiciel différentes pour un appareil. La portée BLUETOOTH normale d'un appareil mobile peut aller jusqu'à 10 mètres, mais le positionnement de l'appareil mobile et de l'environnement de l'installation de l'amplificateur BLUETOOTH aura un impact sur la portée de réception.

L'eau et les murs peuvent avoir un effet d'agents bloquants pour le signal BLUETOOTH que votre appareil mobile utilise pour émettre vers votre amplificateur BLUETOOTH. C'est pourquoi, le choix d'un emplacement d'installation qui supprime ces obstacles de blocage de la portée augmente la portée efficace et la performance de votre amplificateur BLUETOOTH.

La réception de votre appareil BLUETOOTH peut être testée par de simples essais de portée en utilisant votre appareil mobile avant de procéder à une installation permanente. La meilleure manière d'utiliser

Non responsabilité pour la portée et le fonctionnement (cont.)

la courte portée BLUETOOTH est d'assurer que l'amplificateur BLUETOOTH soit aussi près que possible de l'émetteur BLUETOOTH (téléphone mobile, tablette, etc.). Moins la distance entre les deux appareils sera grande, plus la fiabilité du signal audio de l'appareil BLUETOOTH sera élevée; une moindre distance signifie également moins d'obstacles dans le milieu par lequel la transmission passe et, par conséquent, il y a moins de possibilités de perte de signal audio.

La compatibilité de l'amplificateur BLUETOOTH avec les appareils mobiles/portables varie en fonction des divers appareils individuels, et, en particulier, elle peut varier avec des versions de logiciel différentes pour un appareil. Toutes les fonctions sont basées sur des normes de communication dans l'ensemble de l'industrie. La compatibilité entre l'amplificateur BLUETOOTH et l'appareil mobile dépend par conséquent en grande partie de la version du logiciel du dispositif mobile. D'autres facteurs (par ex. emplacement de l'installation, murs, distance) signifient que dans des cas individuels, une dégradation sporadique des fonctions peut se produire pour des appareils qui fonctionnent normalement de manière fiable. Certaines fonctions ne sont pas prises en charge dans certains pays.

C'est pour cela que Kohler Co. ne peut assumer aucune garantie pour la compatibilité et la fonctionnalité illimitées de votre appareil mobile corrélativement à l'amplificateur BLUETOOTH.

Le mot servant de marque et les logos BLUETOOTH® sont des marques déposées appartenant à Bluetooth SIG, Inc. et une utilisation quelconque de telles marques par les fournisseurs approuvés par Kohler Co. est sous licence. D'autres marques et noms de commerce sont celles de leurs propriétaires respectifs.

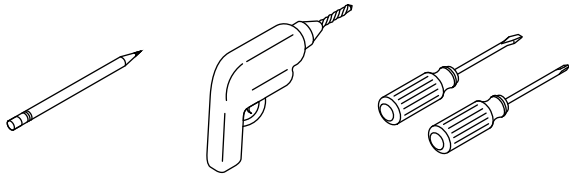
Spécifications

Température ambiante	Max 104°F (40°C)
Humidité relative maximale	90% sans condensation
Service électrique	100-240 V c.a., 50-60 Hz, 1,2 A Max
Longueur de câble d'alimentation	69 po (1753 mm)
Longueur du câble de données	6 pi (1,83 m)
Puissance de sortie	20 watts x 2 en 4 ohms
Réponse en fréquence	20 Hz - 18 kHz +/- 3 dB

Spécifications (cont.)

Rapport signal/bruit	>75 dB
Distorsion harmonique totale	<0,1% à 1 watt, < 1% à la puissance de sortie intégrale

Outils et matériel

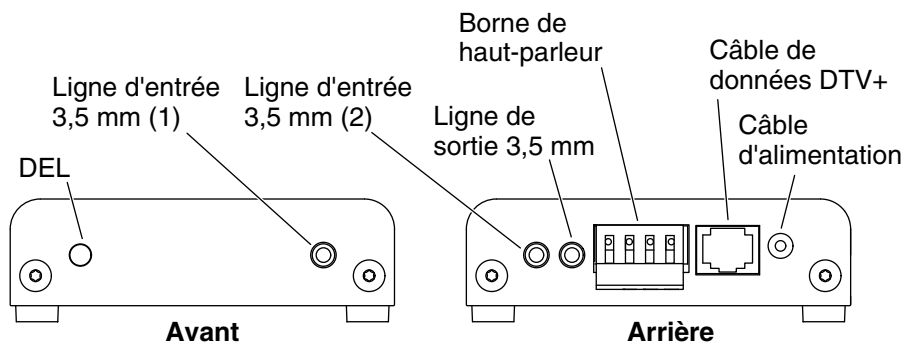


Plus:

- Coupe-fils/
Pince à dénuder

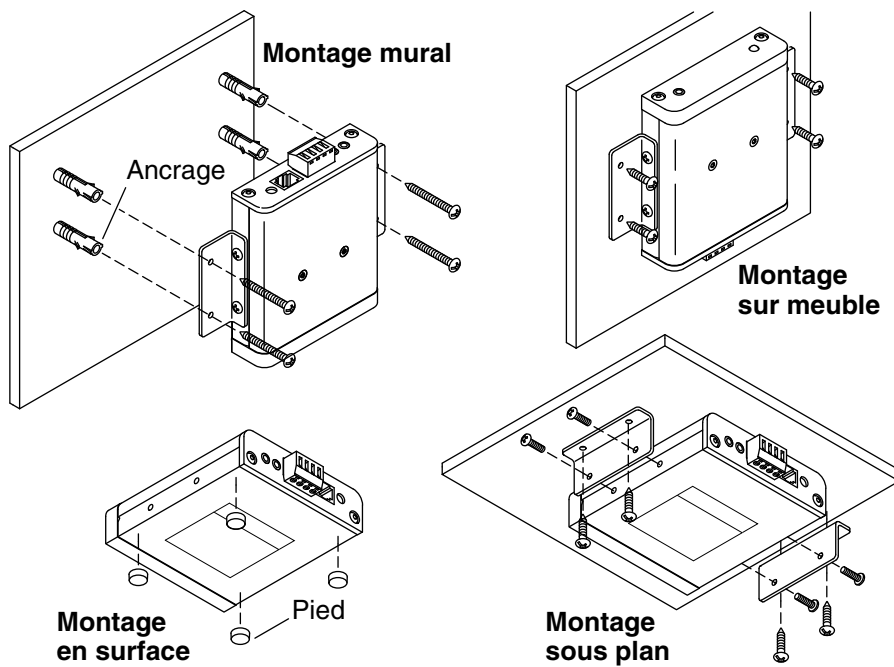
Avant de commencer

- Déterminer les emplacements de l'amplificateur et des haut-parleurs avant de commencer l'installation. Tester la portée de l'appareil BLUETOOTH® entre l'amplificateur et l'appareil sans fil lors de l'établissement de l'emplacement de l'amplificateur.
- L'amplificateur peut être monté dans n'importe quelle orientation. Utiliser les supports ou les pieds en caoutchouc fournis pour adapter la configuration de montage.
- Positionner l'amplificateur à proximité immédiate d'une prise de courant de 15 A 120 V. Une prise pour disjoncteur de fuite de terre (GFCI) pourrait être requise dans certaines applications.
- Toutes les prises électriques doivent être installées par un électricien qualifié.
- Si possible, installer la prise électrique avant d'installer l'amplificateur.
- Cet amplificateur est conforme aux normes CE, FCC et IC.



1. Préparation

- Planifier l'emplacement de l'amplificateur de manière à permettre un accès aux ports avant et arrière.
- Un appareil BLUETOOTH sans fil ou un appareil avec une connexion de câble stéréo de 3,5 mm sont nécessaires pour lire des fichiers de musique personnels.
- Les connexions de bornes de haut-parleurs sur l'amplificateur acceptent un fil 12-24 AWG. Respecter les codes locaux pour le type de fils de haut-parleurs et l'acheminement.
- Laisser un espace d'accès adéquat pour les fils entre les emplacements de l'amplificateur et des haut-parleurs.
- S'assurer que le voyant DEL est visible après l'installation.
- **Pour DTV+ :** Laisser un espace d'accès adéquat pour le câble de données entre l'amplificateur et le module de commande du système, ou obtenir un câble style Ethernet ou un câble d'extension plus long.



2. Installation

CAUTION: Risque d'endommagement du produit. L'amplificateur est destiné à fonctionner à des températures de 104°F (40°C) maximum. Ne pas installer à proximité de sources de chaleur (comme des radiateurs ou des registres de chaleur), ni dans des endroits où la température pourrait dépasser 104°F (40°C).

NOTICE: Monter l'amplificateur dans un emplacement sec et fournir un minimum de 6 po (152 mm) d'espace pour assurer un débit d'air approprié.

Options de montage

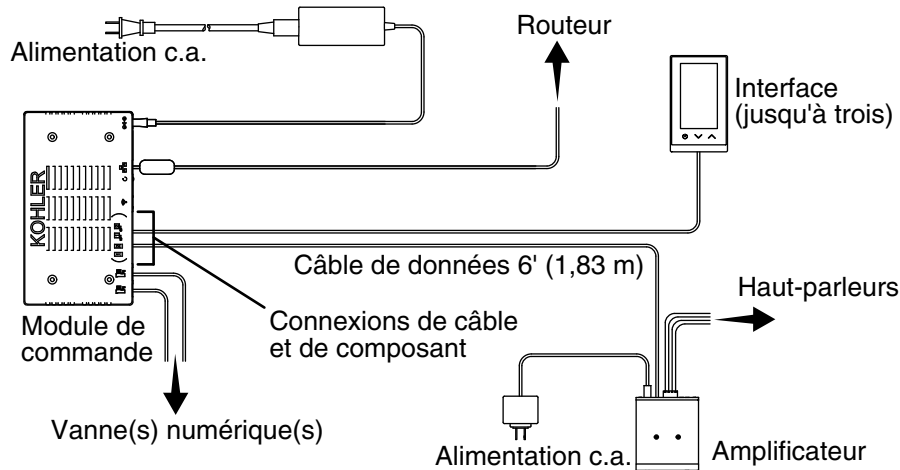
- **Montage en surface :** Attacher les quatre pieds en caoutchouc sur le dessous de l'amplificateur pour protéger l'étagère ou la surface du comptoir contre les rayures.
- **Montage sur meuble :** Installer l'amplificateur en utilisant les brides de fixation et les vis courtes.
- **Montage sous plan :** Tourner l'orientation des brides sur l'amplificateur pour installer celui-ci dans une position verticale.

Installation (cont.)

- ❑ **Montage mural :** Fixer l'amplificateur en place en utilisant les brides de fixation, les vis longues, et les appareils d'ancrage muraux (si nécessaire).

Installation de support

- ❑ Positionner l'amplificateur avec les supports attachés dans l'emplacement souhaité.
- ❑ Marquer les emplacements des orifices des supports avec un crayon.
- ❑ Percer des trous pilotes ou insérer les dispositifs d'ancrage selon les besoins aux emplacements marqués.
- ❑ Sécuriser les supports en utilisant les quatre vis fournies.



3. Disposition du système DTV+

L'amplificateur peut être contrôlé par voie numérique lorsqu'il est connecté au module de commande du système K-99695. Le module de commande alimente l'interface ou les interfaces et commande l'amplificateur et les autres composants du système.

NOTE: Un câble de données est fourni pour connecter l'amplificateur au module de commande. Si l'amplificateur n'est pas compris dans un rayon de 6 po (1,83 m) du module de commande, utiliser un câble Ethernet plus long ou ajouter un câble de rallonge.

- Déconnecter l'alimentation électrique de l'amplificateur et du module de commande.
- Connecter une extrémité du câble de données dans le port sur l'arrière de l'amplificateur.
- Connecter l'autre extrémité du câble dans l'un des huit ports de composants regroupés sur le module de commande.
- Reconnecter l'alimentation électrique à l'amplificateur et au module de commande.

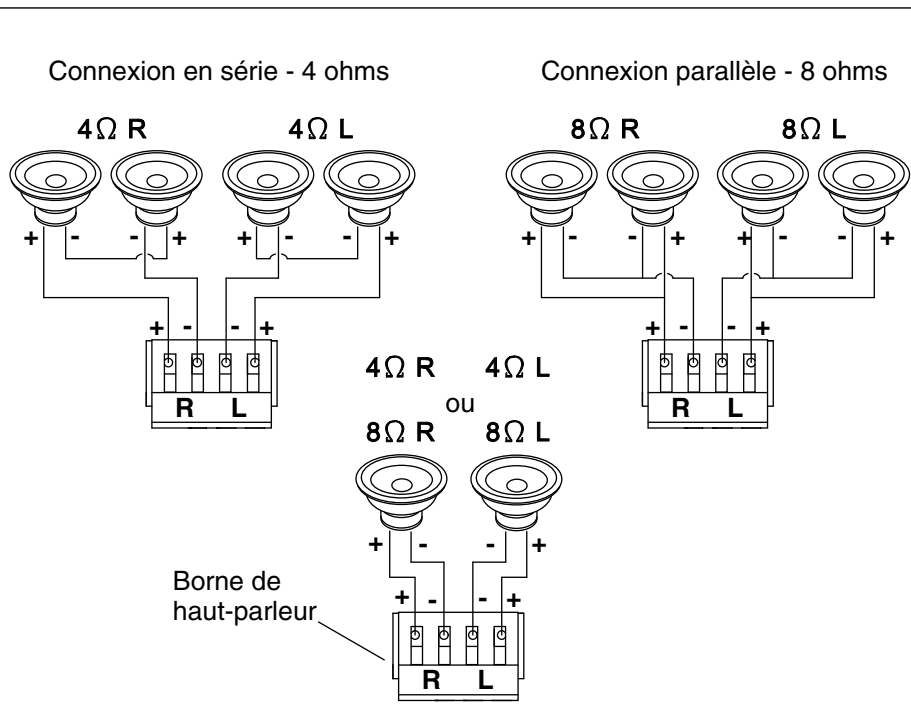
Avant de faire fonctionner le système DTV+ la première fois :

Télécharger et installer le dernier logiciel pour les composants connectés. Une heure ou plus peuvent être nécessaires en fonction de la configuration du système et de la vitesse de connexion internet. **Ne pas déconnecter l'alimentation électrique des composants pendant le**

Disposition du système DTV+ (cont.)

téléchargement et l'installation du logiciel.

Pour obtenir de l'information supplémentaire sur la configuration et l'utilisation du système, se référer au guide sur la page du produit à www.us.kohler.com.

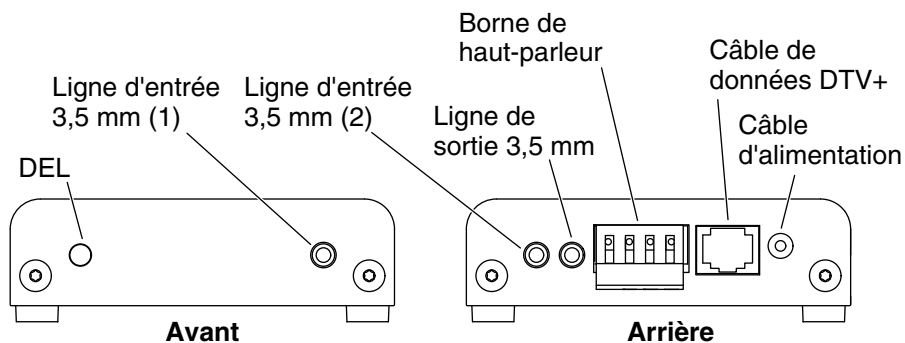


4. Connexions des haut-parleurs

NOTE: Cet amplificateur permet une sortie stéréo à 2 ou à 4 haut-parleurs. Consulter le schéma des connexions ci-dessus pour la configuration du câblage.

NOTE: La borne de haut-parleur accepte un fil de 12-24 AWG. Suivre les codes locaux pour l'acheminement des fils de haut-parleurs.

- Déconnecter l'alimentation électrique de l'amplificateur.
- Utiliser une pince à dénuder pour retirer 1/2 po (13 mm) environ d'isolant du fil de haut-parleur.
- Insérer le fil dans le connecteur de borne positive (+) ou négative (-) et de droite (R) ou de gauche (L) approprié.
- Répéter les procédures pour les autres fils de haut-parleur.
- Reconnecter l'alimentation électrique à l'amplificateur.
- Vérifier que le voyant DEL d'état s'allume.



5. Fonctionnement

NOTE: Régler l'appareil de musique sur un volume moyen après avoir connecté l'amplificateur, mais avant d'envoyer un signal audio à partir de l'appareil.

Voyant DEL d'état

- **Jaune** = mode attente.
- **Clignotement bleu** = mode attente avec connexion BLUETOOTH®.
- **Bleu** = entrée audio en provenance d'un appareil BLUETOOTH.
- **Vert** = entrée audio en provenance du port de ligne d'entrée de 3,5 mm avant ou arrière.

Entrée stéréo de 3,5 mm

- Un appareil audio câblé peut être connecté sur les ports de ligne d'entrée avant ou arrière.
- Le port de ligne d'entrée avant (1) annule le port arrière (2).
- Lorsqu'un signal est détecté en provenance de l'appareil, la DEL devient verte et l'entrée audio démarre en fondu.
- Si le voyant LED ne s'allume pas en vert lorsque l'appareil est mis en marche, augmenter le volume sur l'appareil.
- Une entrée audio peut être légèrement retardée lorsqu'un appareil est connecté initialement.

Entrée sans fil

- Lorsqu'un appareil BLUETOOTH est connecté, le voyant DEL clignote en bleu.

Fonctionnement (cont.)

- L'amplificateur s'affiche sur l'appareil comme « Kohler KA02 ».
- Si un code BLUETOOTH est requis, entrer « 0000 ».

NOTE: S'il est connecté à un système DTV+, le code et le nom de l'appareil peuvent être changés en utilisant les pages Web du module de commande.

- Après avoir reçu un signal sans fil, le voyant DEL s'allume en bleu constant et l'entrée audio apparaît en fondu.
- L'entrée sans fil annule tous les signaux qui pourraient venir des ports de ligne d'entrée avant ou arrière.

Sortie stéréo de 3,5 mm

- Un port de sortie de ligne est disponible pour fournir une sortie stéréo non amplifiée du signal audio qui peut être alimenté à un autre appareil externe.

Mode d'attente

- Si aucun signal audio n'a été détecté pendant 30 secondes en provenance des ports de ligne d'entrée de 3,5 mm, l'amplificateur entre en mode d'attente et le voyant DEL s'allume en jaune.
- **BLUETOOTH en attente :** Si aucun signal audio n'a été détecté pendant 30 secondes en provenance d'un appareil sans fil connecté, l'amplificateur entre en mode attente BLUETOOTH et le voyant DEL change de bleu constant en bleu clignotant.

Fonctionnement DTV+

- Pour obtenir de l'information sur le fonctionnement de l'amplificateur en utilisant le système DTV+, se référer au guide sur la page du produit du module de commande K-99695 à www.us.kohler.com.

Dépannage

IMPORTANT! Couper l'alimentation électrique avant d'effectuer un entretien quelconque.

NOTE: Pour le dépannage du système DTV+, se référer au guide sur la page du produit du module de commande K-99695 à us.kohler.com.

NOTE: Pour tout renseignement sur les pièces de rechange, visiter la page du produit sur le site kohler.com/serviceparts.

Dépannage (cont.)

Ce guide de dépannage est seulement destiné à fournir une aide d'ordre général. Pour des problèmes ou questions concernant l'entretien et l'installation, composer le 1-800-4KOHLER.

Tableau de dépannage

Symptômes	Cause probable	Action recommandée
1. Un ou les deux haut-parleurs ne produisent pas de son, ou le son est trop bas dans une configuration à deux haut-parleurs.	A. Le câble de haut-parleur n'est pas branché correctement.	A. S'assurer que les câbles sont installés correctement dans les connexions de l'amplificateur et dans les haut-parleurs de gauche et de droite.
2. Un ou plusieurs haut-parleurs ne produisent pas de son, ou le son est trop bas dans une configuration à quatre haut-parleurs.	A. Haut-parleur endommagé ou débranché. B. Le câble de haut-parleur n'est pas connecté correctement.	A. S'assurer que les câbles de haut-parleur sont installés correctement dans les connecteurs positif (+) et négatif (-) appropriés sur l'amplificateur. B. Connecter les haut-parleurs de 4 ohms en série et les haut-parleurs de 8 ohms en parallèle.
3. Si de la musique a été jouée très fort, celle-ci s'arrête même si une chanson est sélectionnée correctement.	A. Arrêt thermal.	A. Arrêter le système pendant 1 heure pour permettre à l'appareil de se refroidir. S'assurer que la température de l'emplacement dans lequel l'appareil est installé ne dépasse pas 104°F (40°C).
4. Le voyant DEL d'état ne s'allume pas.	A. L'alimentation électrique n'est pas branchée dans la prise.	A. Brancher l'alimentation électrique dans la prise.

Dépannage (cont.)

Tableau de dépannage		
Symptômes	Cause probable	Action recommandée
	<p>B. La connexion de l'alimentation électrique à l'amplificateur peut être desserrée ou déconnectée.</p> <p>C. La prise n'est pas sous tension.</p> <p>D. Le disjoncteur s'est déclenché.</p>	<p>B. Vérifier la connexion de l'alimentation électrique à l'amplificateur et reconnecter si nécessaire.</p> <p>C. S'assurer que la prise électrique est sous tension.</p> <p>D. Réarmer le disjoncteur.</p>
<p>5. Aucun son à travers les haut-parleurs.</p>	<p>A. La chanson est en pause.</p> <p>B. Le volume est trop bas.</p>	<p>A. S'assurer qu'une chanson est en train de jouer. Si la chanson est en pause, appuyer sur la fonction de reprise pour continuer la lecture.</p> <p>B. S'assurer que le volume est augmenté à un niveau assez élevé pour une écoute agréable.</p>
<p>6. L'amplificateur ne se connecte pas à mon appareil BLUETOOTH®.</p>	<p>A. L'appareil BLUETOOTH ne se trouve pas dans la portée prévue.</p> <p>B. L'appareil BLUETOOTH n'est pas apparié avec l'amplificateur.</p>	<p>A. S'assurer que l'appareil BLUETOOTH est compris dans la portée de l'amplificateur.</p> <p>B. Appairer l'appareil BLUETOOTH avec l'amplificateur selon les instructions d'appariement pour l'appareil BLUETOOTH.</p>
<p>7. Le voyant DEL est bleu, mais le signal audio est intermittent.</p>	<p>A. L'appareil BLUETOOTH ne se trouve pas un rayon de plage complète.</p>	<p>A. Amener l'appareil BLUETOOTH plus près de l'emplacement de l'amplificateur.</p>

Garantie

GARANTIE LIMITÉE DE CINQ ANS pour les robinets, vannes et commandes électroniques KOHLER®

Kohler Co. garantit les robinets, vannes et commandes électroniques contre tout vice de matériau et de fabrication lors d'une utilisation domestique normale, pendant cinq ans à partir de la date d'installation du produit. La présente garantie s'applique uniquement aux robinets, aux vannes et aux commandes électroniques installés aux États-Unis, au Canada et au Mexique (« Amérique du Nord »).

En cas de défectuosité lors d'une utilisation domestique normale, Kohler Co. choisira, à son gré, la réparation, le remplacement d'une pièce ou d'un produit, ou la rectification appropriée, dans les cas où l'inspection de Kohler Co. révélerait une telle défectuosité. Aucun dommage causé par un accident, une mauvaise utilisation ou un usage abusif n'est couvert par la présente garantie. Un entretien et un nettoyage inadéquats annulent la garantie*. Une preuve d'achat (ticket de caisse original) doit être présentée à Kohler Co. avec toutes les réclamations au titre de la garantie. Kohler Co. n'est pas responsable des frais de main-d'œuvre, d'installation ou de tout autre frais particulier accessoire ou indirect que ceux susmentionnés. La responsabilité de Kohler Co. ne dépassera en aucun cas le prix d'achat du robinet, de la vanne ou de la commande.

Pour toute réclamation au titre de la présente garantie, contacter le vendeur, plombier, centre de rénovation ou revendeur par internet. Fournir tous les renseignements pertinents à la réclamation, dont notamment une description complète du problème et du produit, le numéro de modèle, la date et le lieu d'achat du produit, ainsi que la date de son installation. Joindre également l'original de la facture.

Pour de plus amples renseignements ou pour obtenir les coordonnées du service de réparation le plus proche, écrire à Kohler Co., Attn.: Customer Care Center, Kohler, Wisconsin 53044, USA, ou appeler le 1-800-4-KOHLER (1-800-456-4537) à partir des É.-U. et du Canada, et le 001-800-456-4537 à partir du Mexique, ou consulter le site www.kohler.com aux É.-U., www.ca.kohler.com à partir du Canada, ou www.mx.kohler.com au Mexique.

LES GARANTIES SUSMENTIONNÉES SONT FOURNIES AU LIEU ET PLACE DE TOUTES AUTRES GARANTIES, EXPRESSES OU TACITES, Y COMPRIS LES GARANTIES TACITES DE COMMERCIALITÉ ET D'ADAPTATION À UN USAGE PARTICULIER.

KOHLER CO. ET/OU LE REVENDEUR DÉCLINENT TOUTE RESPONSABILITÉ CONTRE LES DOMMAGES PARTICULIERS, ACCESSOIRES OU INDIRECTS. Certains états et provinces ne

Garantie (cont.)

permettent pas de limite sur la durée de la garantie tacite, ni l'exclusion ou la limite de tels dommages, et, par conséquent, lesdites limites et exclusions peuvent ne pas s'appliquer à votre cas. La présente garantie accorde au consommateur des droits juridiques particuliers. Vous pouvez également avoir d'autres droits qui varient d'un état ou d'une province à l'autre. La présente garantie est accordée uniquement à l'acquéreur d'origine et exclut tous dommages dus à une erreur d'installation, à un usage abusif ou à une mauvaise utilisation du produit, qu'ils soient effectués par un entrepreneur, une société de services ou le consommateur.

Ceci constitue la garantie écrite exclusive de Kohler Co.

*Ne jamais utiliser de nettoyants contenant des agents abrasifs, de l'ammoniaque, de l'eau de Javel, des acides, des cires, de l'alcool, des dissolvants ou autres produits non recommandés pour le chrome. Cela annulera la garantie.

Guía de instalación y cuidado

Amplificador

K-99696-NA

INSTRUCCIONES IMPORTANTES



WARNING: Al usar aparatos eléctricos siempre cumpla las precauciones básicas, como las siguientes:



WARNING: Riesgo de sacudidas eléctricas. Un electricista capacitado debe tender todo el cableado eléctrico.



WARNING: Riesgo de sacudidas eléctricas. Desconecte el suministro eléctrico antes de dar servicio.

CAUTION: Riesgo de daños al producto. El amplificador tiene la capacidad de funcionar a temperaturas de hasta 104°F (40°C). No instale cerca de fuentes de calor (como radiadores o registros de calefacción) o en lugares donde la temperatura pueda exceder 104°F (40°C).

NOTICE: Este producto no es resistente al agua. No instale en lugares donde haya humedad excesiva, niveles altos de humedad o condensación.

NOTICE: Cumpla todos los códigos eléctricos y de construcción.

NOTICE: Deje acceso sin restricciones para dar servicio al amplificador.

NOTICE: Deje un espacio mínimo de 6" (152 mm) alrededor del amplificador para que fluya bien el aire.

NOTE: Este amplificador puede funcionar como unidad autónoma o puede ser instalada con el sistema de ducha DTV+.

Funcionamiento con DTV+

- Para conectar el amplificador al sistema DTV+, se necesita el controlador del sistema K-99695.
- El cable de datos que se incluye sirve para conectar el amplificador al controlador del sistema.

INSTRUCCIONES IMPORTANTES (cont.)

□ Consulte la sección "Distribución del sistema DTV+" en esta guía.

Antes de usar el sistema por primera vez:

Descargue e instale el software más reciente de los componentes conectados. Completar este proceso puede tomar una hora o más, de acuerdo a la configuración del sistema y a la velocidad de conexión de Internet. **No desconecte el suministro eléctrico de ninguno de los componentes durante la descarga y la instalación del software.**

Cumplimiento con FCC, IC y CE

Contiene: Kohler Company, Modelo: K-99696-NA, FCC ID: N82-KOHLER010, IC: 4554A-KOHLER010, CE: CE2200

Número de certificación IFT: 201801A02469

Declaración de interferencia de la FCC

Este equipo cumple lo establecido en la sección 15 de las normas de la FCC. La operación de este equipo está sujeta a las siguientes 2 condiciones:

1. Este equipo o dispositivo no puede causar interferencia perjudicial, y
2. Este dispositivo debe aceptar cualquier interferencia que reciba, incluida la interferencia que pudiera causar funcionamiento no deseado.

Cualquier modificación o cambio que no haya sido aprobado expresamente por la parte responsable de la conformidad podría invalidar el derecho del usuario a utilizar el producto.

Este equipo ha sido probado, y se ha encontrado que satisface los límites de un aparato digital Clase B, de acuerdo a la sección 15 de las normas de la FCC. Estos límites están diseñados para proveer protección razonable contra interferencia perjudicial en una instalación residencial. Este equipo genera, usa y puede radiar energía de radiofrecuencia y, si no se instala y utiliza en cumplimiento de las instrucciones, puede causar interferencia perjudicial a las comunicaciones de radio. Sin embargo, no se garantiza que la interferencia no pudiera ocurrir en una instalación en particular. Si este equipo causa interferencia perjudicial a la recepción de radio o televisión, lo que se puede determinar al encender y apagar el equipo, se le sugiere al usuario que trate de corregir la interferencia mediante una o más de las siguientes medidas:

- Cambiar la orientación o el lugar de la antena receptora.

Cumplimiento con FCC, IC y CE (cont.)

- Aumentar la separación entre el equipo y el receptor.
- Conectar el equipo a un tomacorriente en un circuito diferente al que utiliza el receptor.
- Consultar al distribuidor o a un técnico con experiencia en radio/televisión para obtener ayuda.

Declaración de la Industria de Canadá

Este dispositivo cumple las normas RSS de excepción de licencia de la Industria de Canadá. La operación de este equipo está sujeta a las siguientes 2 condiciones:

1. Este equipo no debe causar interferencia, y
2. Este equipo debe aceptar cualquier interferencia, incluida la interferencia que pueda causar funcionamiento no deseado.

CAN ICES-3(B) /NMB-3(B)

CE2200

Renuncia de alcance y función

BLUETOOTH® es la denominación de una tecnología de frecuencia de radio (RF) de alcance corto que funciona a 2,4 GHz. El alcance efectivo de la mayoría de dispositivos móviles BLUETOOTH es 10 metros. La tecnología BLUETOOTH está diseñada para usar muy poca corriente. La compatibilidad de la interface del amplificador BLUETOOTH a los dispositivos portátiles/móviles difiere de acuerdo a los diversos dispositivos individuales y, en particular, puede variar de acuerdo a las versiones de software del dispositivo. El alcance normal de BLUETOOTH de un dispositivo móvil puede ser de hasta 10 metros; sin embargo, la ubicación de su dispositivo móvil y el entorno de instalación del amplificador BLUETOOTH afecta el alcance de recepción.

El agua y las paredes pueden actuar como bloqueadores de la señal BLUETOOTH que su dispositivo móvil utiliza para transmitir al amplificador BLUETOOTH. Por lo tanto, la selección de un lugar de instalación que elimine estos obstáculos bloqueadores del alcance aumenta el alcance efectivo y el rendimiento de su amplificador BLUETOOTH.

Puede probar la recepción BLUETOOTH con unas pruebas sencillas de alcance con su dispositivo móvil antes de hacer la instalación permanente. La mejor manera de utilizar el alcance corto de BLUETOOTH es asegurarse de que el amplificador BLUETOOTH esté

Renuncia de alcance y función (cont.)

lo más cerca posible al transmisor BLUETOOTH (teléfono móvil, tableta, etc.). Entre menor sea la distancia entre los dos dispositivos, mayor será la confiabilidad de la señal de audio BLUETOOTH, y menor distancia significa menos obstáculos que debe pasar la transmisión; de esta manera hay menos probabilidad de perder la señal de audio.

La compatibilidad del amplificador BLUETOOTH con los dispositivos portátiles/móviles difiere de acuerdo a los diversos dispositivos individuales y, en particular, puede variar de acuerdo a las versiones de software de un dispositivo. Todas las funciones están basadas en las normas de comunicación de toda la industria. La compatibilidad entre el amplificador BLUETOOTH y el dispositivo móvil por lo tanto depende, en gran parte, de la versión de software del dispositivo móvil. Otros factores (como el lugar de instalación, las paredes, la distancia) implican que, en casos individuales, puede ocurrir deterioro esporádico de las funciones en dispositivos que de otra manera funcionan de manera confiable. No todas las funciones están disponibles en todos los países.

Por estas razones, Kohler Co. no puede asumir garantía de la compatibilidad ilimitada y funcionalidad de su dispositivo móvil con el amplificador BLUETOOTH.

La marca y los logotipos BLUETOOTH® son marcas comerciales registradas de Bluetooth SIG, Inc., y el uso de dichas marcas por los proveedores aprobados de Kohler Co. se hace mediante permiso. Las demás marcas y los demás nombres comerciales son de sus respectivos propietarios.

Especificaciones

Temperatura ambiente	Máx. 104°F (40°C)
Humedad relativa máxima	90 % sin condensación
Servicio eléctrico	100-240 VCA, 50-60 Hz, 1,2 A Máx
Longitud del cable eléctrico	69" (1753 mm)
Longitud del cable de datos	6' (1,83 m)
Potencia de salida	20 Watts x 2 en 4 Ohms
Respuesta de frecuencia	20 Hz - 18 kHz +/- 3dB
Relación de señal/ruido	>75 dB
Distorsión armónica total	<0,1 % a 1 watt, <1 % a potencia plena de salida

Especificaciones (cont.)

Herramientas y materiales

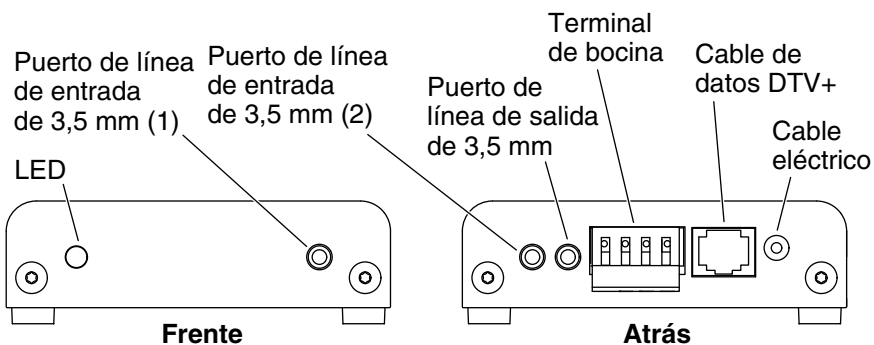


Más:

- Cortacables/
Pelacables

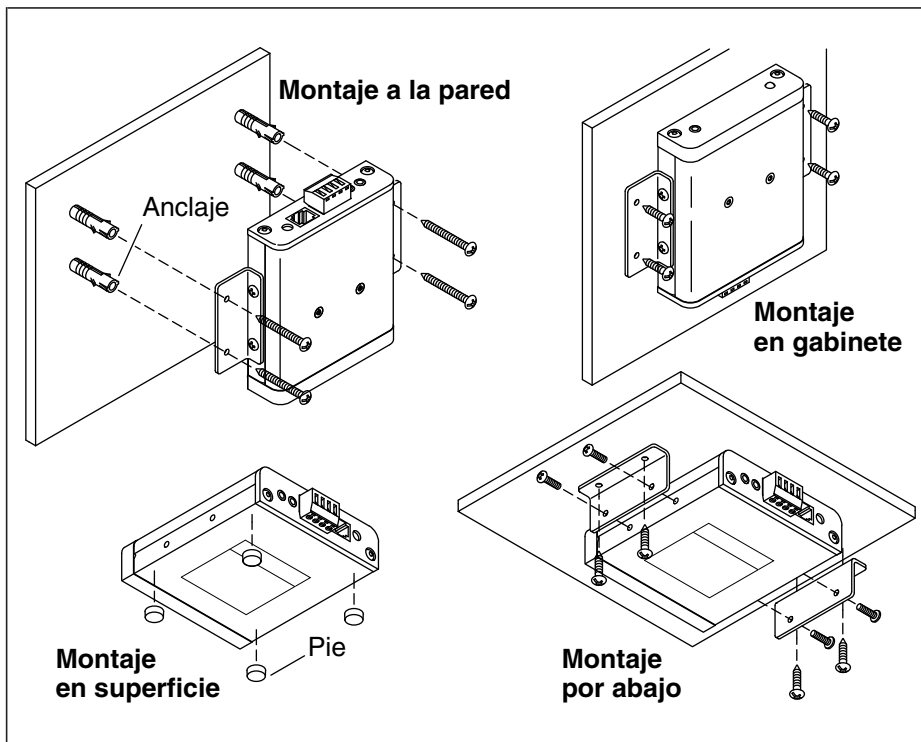
Antes de comenzar

- Antes de comenzar esta instalación determine la ubicación para el amplificador y para las bocinas. Pruebe el alcance de BLUETOOTH® entre el amplificador y su dispositivo inalámbrico cuando elija la ubicación del amplificador.
- El amplificador se puede instalar en cualquier orientación. Utilice los soportes o las patas de goma que se incluyen para la configuración de su instalación.
- Ubique el amplificador cerca de un tomacorriente de 15 A, 120 V. Ciertas aplicaciones pueden requerir un tomacorriente con interruptor de circuito con pérdida a tierra (GFCI).
- Un electricista calificado debe instalar los tomacorrientes.
- Si es posible, instale el tomacorriente eléctrico antes de instalar el amplificador.
- Este amplificador cumple las normas de CE, FCC, y IC.



1. Preparación

- ❑ Planee la ubicación del amplificador, de manera que los puertos delantero y posterior queden accesibles.
- ❑ Para tocar sus archivos de música personales necesita un dispositivo BLUETOOTH inalámbrico o un dispositivo con una conexión de cable estéreo de 3,5 mm.
- ❑ Las conexiones de terminales de las bocinas del amplificador aceptan un cable 12-24 AWG. Cumpla los códigos locales de tendido de cableado y tipo de cable para bocinas.
- ❑ Deje los cables con suficiente longitud entre el lugar para el amplificador y para las bocinas.
- ❑ Asegúrese de que la luz del LED quede visible después de la instalación.
- ❑ **Para DTV+:** Deje suficiente longitud de cable de datos entre el amplificador y el controlador del sistema, o consiga un cable tipo Ethernet más largo o una extensión de cable.



2. Instalación

CAUTION: Riesgo de daños al producto. El amplificador tiene la capacidad de funcionar a temperaturas de hasta 104°F (40°C). No instale cerca de fuentes de calor (como radiadores o registros de calefacción) o en lugares donde la temperatura pueda exceder 104°F (40°C).

NOTICE: Instale el amplificador en un lugar seco, y deje un mínimo de 6" (152 mm) de espacio para que fluya bien el aire.

Opciones de instalación

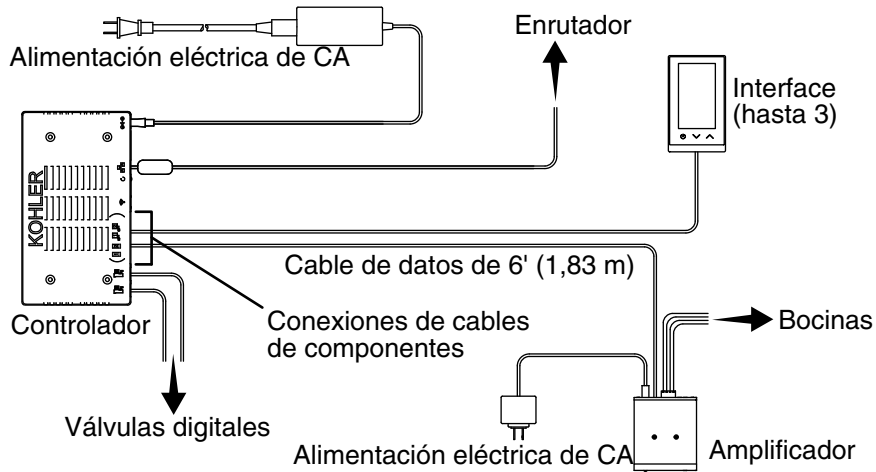
- **Montaje en superficie:** Fije las 4 patas de goma al lado inferior del amplificador para proteger la superficie de la repisa o de la encimera contra rayones.
- **Montaje en gabinete:** Instale el amplificador con los soportes de montaje y los tornillos cortos.
- **Montaje por abajo:** Cambie la orientación de los soportes en el amplificador para instalarlo en posición vertical.

Instalación (cont.)

- **Montaje a la pared:** Asegure el amplificador con los soportes de montaje, los tornillos largos y los anclajes de pared (si es necesario).

Instalación en soportes

- Coloque el amplificador con los soportes instalados en el lugar deseado.
- Marque con un lápiz los lugares para los orificios de los soportes.
- Taladre orificios guía o instale anclajes, si es necesario, en los lugares marcados.
- Fije los soportes con los cuatro tornillos que se incluyen.



3. Distribución del sistema DTV+

El amplificador puede ser controlado digitalmente cuando está conectado al controlador del sistema K-99695. El controlador provee energía a las interfaces y controla el amplificador y otros componentes del sistema.

NOTE: Se incluye un cable de datos para conectar el amplificador al controlador. Si el amplificador no está a menos de 6' (1,83 m) del controlador, consiga un cable tipo Ethernet más largo o agregue un cable de extensión.

- Desconecte la alimentación eléctrica del amplificador y del controlador.
- Conecte un extremo del cable de datos en el puerto en la parte posterior del amplificador.
- Conecte el otro extremo del cable en uno de los ocho puertos agrupados de componentes en el controlador.
- Vuelva a conectar la alimentación eléctrica al amplificador y al controlador.

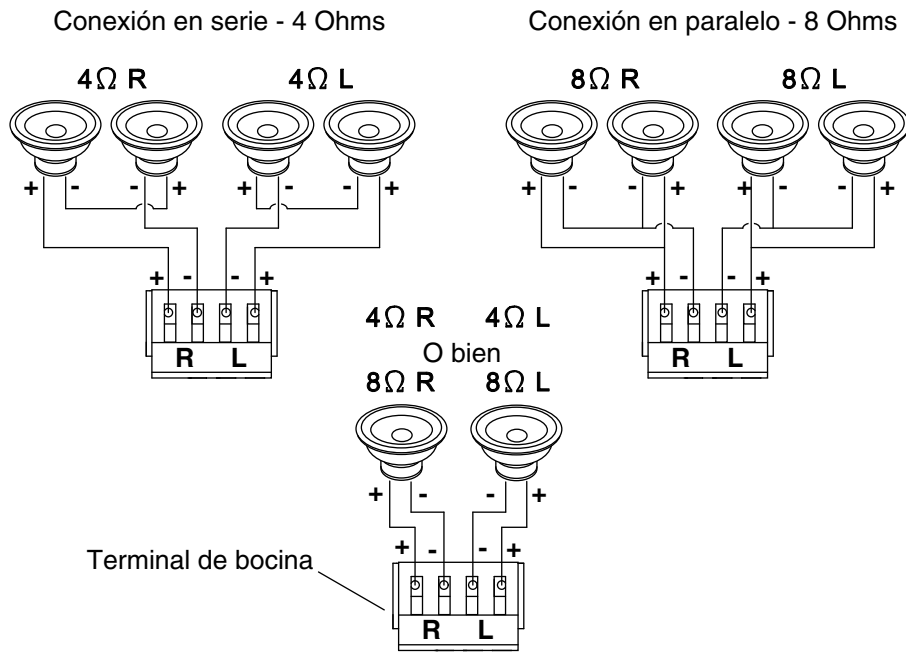
Antes de usar el sistema DTV+ por primera vez:

Descargue e instale el software más reciente de los componentes conectados. Completar este proceso puede tomar una hora o más, de acuerdo a la configuración del sistema y a la velocidad de conexión de Internet. **No desconecte el suministro eléctrico de ninguno de los**

Distribución del sistema DTV+ (cont.)

componentes durante la descarga y la instalación del software.

En la guía en la página del producto controlador en www.us.kohler.com puede consultar más información acerca de la configuración y el funcionamiento del sistema.

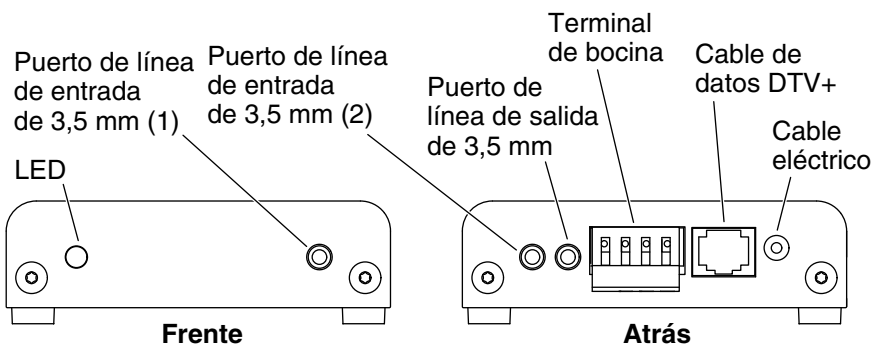


4. Conexiones de bocinas

NOTE: Este amplificador permite la salida estéreo a 2 o a 4 bocinas. Consulte el diagrama de conexiones que se muestra arriba para su configuración de cableado.

NOTE: El terminal de las bocinas acepta un cable 12-24 AWG. Cumpla los códigos locales de tendido de cableado de bocinas.

- Desconecte el suministro eléctrico del amplificador.
- Con un pelacables, retire aproximadamente 1/2" (13 mm) del aislamiento del cable de bocinas.
- Introduzca el cable en el conector de terminal correspondiente positivo (+) o negativo (-) y derecho (R) o izquierdo (L).
- Repita el procedimiento con los demás cables de bocina.
- Vuelva a conectar el suministro eléctrico al amplificador.
- Verifique que se encienda la luz del LED de estado.



5. Funcionamiento

NOTE: Ajuste su dispositivo de música a un volumen intermedio después de conectarlo al amplificador, pero antes de enviar la señal de audio del dispositivo.

Luz del LED de estado

- **Amarilla** = modo de espera.
- **Azul parpadeante** = modo en espera con conexión BLUETOOTH®.
- **Azul** = entrada de audio desde un dispositivo BLUETOOTH.
- **Verde** = entrada de audio desde el puerto de línea de entrada de 3,5 mm delantero o posterior.

Entrada estéreo de 3,5 mm

- Se puede conectar un dispositivo cableado de audio a cualquiera de los puertos de línea de entrada delantero o posterior.
- El puerto de línea de entrada delantero (1) anula el puerto posterior (2).
- Una vez que se detecta una señal del dispositivo, la luz LED se ilumina en verde y la entrada de audio se intensifica.
- Si la luz LED no se ilumina en verde cuando se enciende el dispositivo, aumente el volumen en el dispositivo.
- La entrada de audio puede estar ligeramente retrasada cuando se conecta inicialmente un dispositivo.

Entrada inalámbrica

- Una vez conectado el dispositivo BLUETOOTH, la luz LED parpadea en azul.

Funcionamiento (cont.)

- En el amplificador aparece en el dispositivo como "Kohler KA02".
- Si se requiere una clave para BLUETOOTH, ingrese "0000".

NOTE: Si se conecta a un sistema DTV+, la clave y el nombre del dispositivo pueden cambiarse mediante las páginas en Internet del controlador.

- Al recibir una señal inalámbrica, la luz LED se torna azul constante y la señal de entrada de audio se intensifica.
- La entrada inalámbrica anula cualquier otra señal que llegue del puerto de línea de entrada delantero o posterior.

Salida estéreo de 3,5 mm

- Hay un puerto de línea de salida disponible para proveer salida en estéreo sin amplificar de la señal de audio, que puede alimentarse a otro dispositivo externo.

Modo de espera

- Si no se detecta una señal de audio durante 30 segundos desde los puertos de línea de entrada de 3,5 mm, el amplificador entra al modo de espera y la luz LED se ilumina en amarillo.
- **BLUETOOTH en espera:** Si no se detecta una señal de audio durante 30 segundos de un dispositivo inalámbrico conectado, el amplificador entra al modo de espera de BLUETOOTH y la luz LED cambia de azul constante a azul parpadeante.

Funcionamiento de DTV+

- Para obtener información acerca del funcionamiento del amplificador mediante el sistema DTV+, consulte la guía en la página del producto controlador K-99695 en www.us.kohler.com.

Resolución de problemas

IMPORTANT! Apague la fuente de alimentación eléctrica antes de dar mantenimiento.

NOTE: Para resolver problemas del sistema DTV+, consulte la guía en la página del producto controlador K-99695 en us.kohler.com.

NOTE: Para consultar información sobre piezas de repuesto, visite la página de su producto en kohler.com/serviceparts.

Esta guía de resolución de problemas está diseñada únicamente como

Resolución de problemas (cont.)

ayuda general. Si tiene preguntas acerca de servicio e instalación, llame al 1-800-4KOHLER.

Resolución de problemas

Síntomas	Causa probable	Acción recomendada
1. Una o ambas bocinas no reproducen el sonido, o el sonido es demasiado bajo en una configuración de 2 bocinas.	A. El cable de bocina no está conectado correctamente.	A. Asegúrese de que los cables estén bien instalados en las conexiones del amplificador y a las bocinas izquierda y derecha.
2. Una o ambas bocinas no reproducen el sonido, o el sonido es demasiado bajo en una configuración de 4 bocinas.	A. Bocina dañada o bocina no enchufada. B. Un cable de bocina no está conectado correctamente.	A. Asegúrese de que los cables de las bocinas estén bien instalados en los conectores correspondientes positivo (+) y negativo (-) del amplificador. B. Conecte las bocinas de 4 Ohms en serie y las bocinas de 8 Ohms en paralelo.
3. Después de tocar música con alto volumen, la música deja de tocar aunque una canción esté bien seleccionada.	A. Apagado debido a alta temperatura.	A. Apague el sistema durante 1 hora para dejar enfriar la unidad. Asegúrese de que el área donde está instalada la unidad no exceda 104°F (40°C).
4. El LED de estado no se ilumina.	A. La conexión de alimentación eléctrica no está enchufada al tomacorriente. B. Es posible que la conexión del suministro eléctrico esté suelta o desconectada.	A. Enchufe el suministro eléctrico al tomacorriente. B. Revise la conexión del suministro eléctrico al amplificador, y vuelva a conectar si es necesario.

Resolución de problemas (cont.)

Resolución de problemas

Síntomas	Causa probable	Acción recomendada
	<p>C. El tomacorriente no recibe suministro eléctrico.</p> <p>D. El interruptor de circuito se ha disparado.</p>	<p>C. Asegúrese de que el tomacorriente reciba suministro eléctrico.</p> <p>D. Restablezca el interruptor de circuito.</p>
<p>5. No sale sonido de las bocinas.</p>	<p>A. La pieza musical está en pausa.</p> <p>B. El volumen está muy bajo.</p>	<p>A. Asegúrese de que haya una pieza musical tocando. Si la pieza musical está en pausa, oprima la función de reanudar para continuar.</p> <p>B. Asegúrese de que el volumen esté lo suficientemente alto para poder disfrutarlo.</p>
<p>6. El amplificador no se conecta a mi dispositivo BLUETOOTH®.</p>	<p>A. El dispositivo BLUETOOTH no está dentro del alcance.</p> <p>B. El dispositivo BLUETOOTH no está apareado al amplificador.</p>	<p>A. Asegúrese de que el dispositivo BLUETOOTH esté dentro del alcance de su amplificador.</p> <p>B. Aparee su dispositivo BLUETOOTH al amplificador de acuerdo a las instrucciones de apareamiento de su dispositivo BLUETOOTH.</p>
<p>7. La luz LED está azul, pero la señal de audio es intermitente.</p>	<p>A. El dispositivo BLUETOOTH no está dentro del alcance.</p>	<p>A. Acerque el dispositivo BLUETOOTH al amplificador.</p>

Garantía

GARANTÍA LIMITADA DE CINCO AÑOS de griferías, válvulas y controles electrónicos KOHLER®

Kohler Co. garantiza las griferías, las válvulas y los controles electrónicos contra defectos de material y mano de obra durante el uso normal residencial, durante cinco años a partir de la fecha de instalación del producto. Esta garantía aplica solamente a grifería, válvulas y controles electrónicos instalados en los Estados Unidos de América, Canadá y México ("Norteamérica").

Si se encuentra algún defecto durante el uso residencial normal, Kohler Co., a su criterio, reparará, proveerá una pieza o un producto de repuesto, o realizará los ajustes pertinentes en los casos en que la inspección realizada por Kohler Co. determine dicho defecto. Esta garantía no cubre daños causados por accidente, abuso o uso indebido. El cuidado y la limpieza indebidos anulan la garantía*. Al presentar las reclamaciones de garantía a Kohler Co. es necesario incluir el comprobante de compra (recibo de venta original). Kohler Co. no se hace responsable de costos de mano de obra, instalación u otros costos incidentales o indirectos, aparte de los mencionados arriba. En ningún caso la responsabilidad de Kohler Co. excederá el precio de compra de la grifería, la válvula o el control.

Si usted considera tener una reclamación bajo garantía, comuníquese con su centro de remodelación, distribuidor, contratista de plomería o vendedor por Internet. Asegúrese de proporcionar toda la información pertinente a su reclamación, incluida una descripción completa del problema, el producto, el número de modelo, la fecha de compra del producto, el lugar de compra del producto, y la fecha de instalación. También incluya el recibo original.

Para obtener información adicional, o para el nombre y la dirección del lugar de reparación y servicio más cercano a usted, escriba a Kohler Co., Atención: Customer Care Center, Kohler, Wisconsin 53044 USA, o llame al 1-800-4-KOHLER (1-800-456-4537) desde los EE.UU. y Canadá, y al 001-800-456-4537 desde México, o visite www.kohler.com desde los EE.UU., www.ca.kohler.com desde Canadá, o www.mx.kohler.com en México.

LAS GARANTÍAS ANTERIORMENTE MENCIONADAS SUSTITUYEN A TODAS LAS DEMÁS GARANTÍAS, EXPRESAS O IMPLÍCITAS, INCLUIDAS, ENTRE OTRAS, LAS GARANTÍAS IMPLÍCITAS DE COMERCIALIZACIÓN E IDONEIDAD PARA UN USO DETERMINADO.

KOHLER CO. Y/O EL VENDEDOR DESCARGAN TODA RESPONSABILIDAD POR CONCEPTO DE DAÑOS PARTICULARES, INCIDENTALES O INDIRECTOS. Algunos

Garantía (cont.)

estados/provincias no permiten limitaciones en cuanto a la duración de una garantía implícita o a la exclusión o limitación de dichos daños, por lo que es posible que estas limitaciones y exclusiones no se apliquen a su caso. Esta garantía otorga al consumidor ciertos derechos legales específicos. Además, usted puede tener otros derechos que varían de estado a estado y de provincia a provincia. Esta garantía está destinada únicamente para el comprador consumidor original y excluye todo daño al producto como resultado de errores de instalación, abuso del producto o uso indebido del mismo, bien sea por parte de un contratista, de una compañía de servicios o del consumidor mismo.

Esta es la garantía exclusiva por escrito de Kohler Co.

***Nunca utilice limpiadores que contengan abrasivos, amoníaco, blanqueador, ácidos, ceras, alcohol, disolventes u otros productos no recomendados para el cromo. Esto anula la garantía.**

1232038-2-C

1232038-2-C

1232038-2-C

USA/Canada: 1-800-4KOHLER

México: 001-800-456-4537

kohler.com

THE BOLD LOOK
OF **KOHLER**®

©2019 Kohler Co.

1232038-2-C