

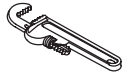
INSTALLATION

G U I D E

TWIN ELL

THE BOLD LOOK  
OF **KOHLER**®

## RECOMMENDED TOOLS AND MATERIALS



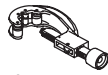
Pipe Wrench



Tape Measure



Adjustable Wrench



Tubing Cutter

## BEFORE YOU BEGIN

- For use with Kohler thermostatic mixing valves, high-flow pressure-balancing valves, and Kohler diverter spouts.
- Observe all local plumbing and building codes.
- Kohler thermostatic mixing valves and high-flow pressure-balancing valves require the installation of a twin ell for standard diverter spout applications.

## 1. PREPARE SITE

Refer to faucet manufacturer's installation instructions for specific rough-in depth requirements. Determine location of spout, and install support framing as required.

Install mixing valve according to the instructions.

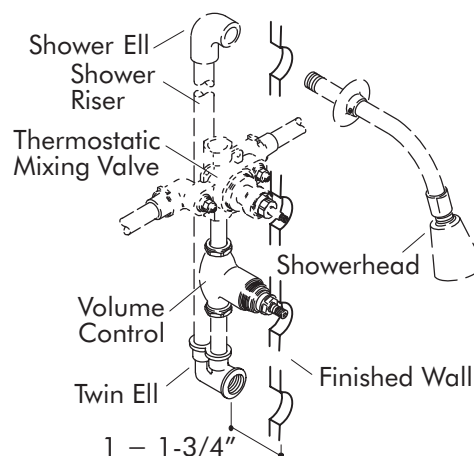
**NOTE:** If the bath has already been installed cover it to prevent damage to the bath surface.

## 2. INSTALL TWIN ELL

Twin ell should be installed with the 3/4" bath outlet 1" to 1-3/4" from the finished wall.

Install piping from the mixing valve to the twin ell inlet marked "IN".

Install piping from the shower riser to the twin ell outlet marked "SHR". The shower riser may need to be routed around the side or rear of the mixing valve.



### 3. INSTALL WALL

Install a temporary nipple to the bath outlet of the twin ell.  
Complete the finished wall.  
Remove temporary nipple.

### 4. INSTALL SPOUT

If you are installing one of the Kohler spouts listed for use with this product, find the model number below for the proper extension to use.

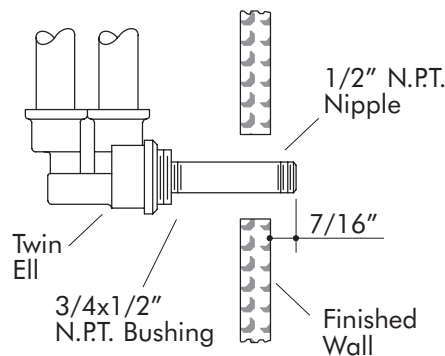
Install spout according to the manufacturer's instructions packed with the product.

K-6856, K-6855, OR  
K-6881

Thread a 3/4" N.P.T. x 1/2" N.P.T. bushing (supplied) to the end of a 1/2" N.P.T. nipple.

Connect the assembly to the bath outlet of the twin ell. The nipple must be of adequate length to extend 7/16" out from the finished wall.

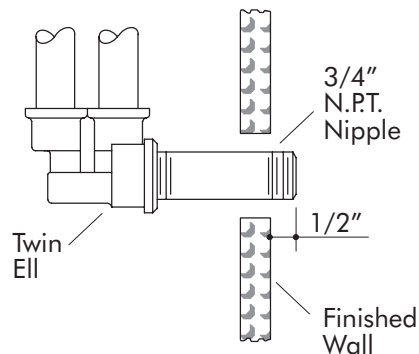
Install spout according to the manufacturer's instructions packed with the product.



K-330, K-6802, OR K-6832

Thread a 3/4" N.P.T. nipple to bath outlet of the twin ell. The nipple must be of adequate length to extend 1/2" out from the finished wall.

Install spout according to the manufacturer's instructions packed with the product.

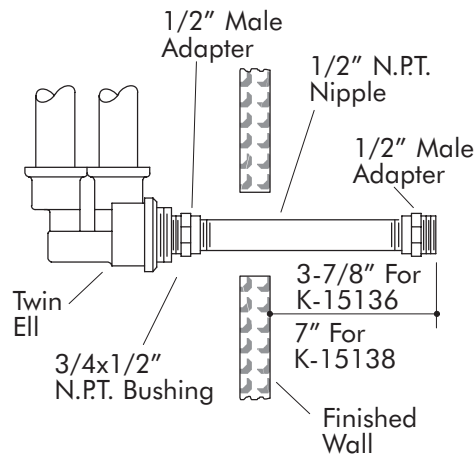


### K-15136 OR K-15138

Thread a 1/2" male adapter to a 3/4" N.P.T. x 1/2" N.P.T. bushing (supplied).

Connect another 1/2" male adapter to an adequate length of 1/2" copper tubing. Connect this assembly to the other adapter and bushing. Connect the entire assembly to the bath outlet of the twin ell so it extends 3-7/8" out from the finished wall for K-15136 and 7" out from the wall for K-15138.

Install spout according to the manufacturer's instructions packed with the product.

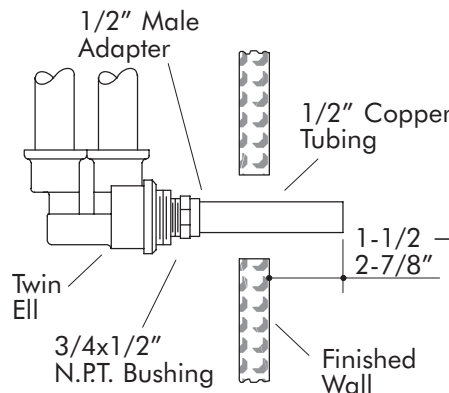


### K-15136-S

Thread a 1/2" male adapter to a 3/4" N.P.T. x 1/2" N.P.T. bushing (supplied).

Connect an adequate length of 1/2" copper tubing to the adapter. Connect the entire assembly to the bath outlet of the twin ell so it extends 1-1/2" to 2-7/8" out from the finished wall.

Install spout according to the manufacturer's instructions packed with the product.



## CALL US FOR HELP

Questions? Problems? First review the installation instructions to ensure correct installation. For additional assistance in the USA, call our Customer Service Department for direct help. You may also contact us at our web site listed below.

**1-800-4-KOHLER**

THE BOLD LOOK  
OF **KOHLER**

[www.kohlerco.com](http://www.kohlerco.com)

©1999 Kohler Co.

Kohler Co., Kohler, WI