

KOHLER® Faucets

Sink drain and strainer with tailpiece K-8807

Features

- For sink installations with 3-1/2" (89 mm) or 4" (102 mm) outlet.
- Includes 4" tailpiece.
- Strainer plate for easy cleaning.

Material

- Solid-brass construction for durability and reliability.

Recommended Products/Accessories

K-23726 Drain treatment

K-23723 Faucet cleaner



Codes/Standards

ASME A112.18.2/CSA B125.2

KOHLER® One-Year Limited Warranty

See website for detailed warranty information.

Available Colors/Finishes

Color tiles intended for reference only.

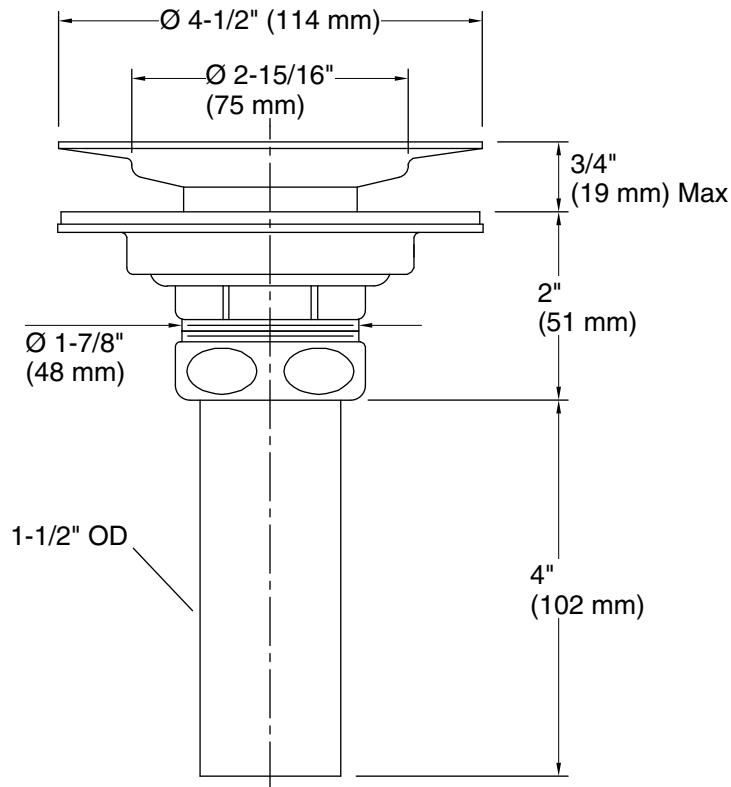
Color	Code	Description
	CP	Polished Chrome
	2BZ	Oil-Rubbed Bronze

1-800-4KOHLER (1-800-456-4537)

Kohler Co. reserves the right to make revisions without notice to product specifications.

For the most current Specification Sheet, go to www.kohler.com.

THE BOLD LOOK
OF **KOHLER**®



Technical Information

All product dimensions are nominal.

Notes

Install this product according to the installation guide.