

## Features

- Brass construction.
- Brass valve bodies.
- Quarter-turn washerless ceramic disc valves.
- Wristblade lever handles.
- 5-1/2" (140 mm) gooseneck swing spout.
- Single-hole installation.
- Lower flow aerator options are available (refer to the Kohler Price Book).
- 1.5 gal/min (5.7 l/min) maximum flow rate [max at 60 psi (4.14 bar)]

## Optional Products/Accessories

- K-14511 Escutcheon Plate
- K-14531 Escutcheon Plate



**ADA** **CSA B651**

## Codes/Standards




ASME A112.18.1/CSA B125.1  
NSF/ANSI 61  
NSF/ANSI 372  
All applicable US Federal and State material regulations  
DOE - Energy Policy Act 1992  
California Energy Commission (CEC)  
ADA  
ICC/ANSI A117.1  
CSA B651

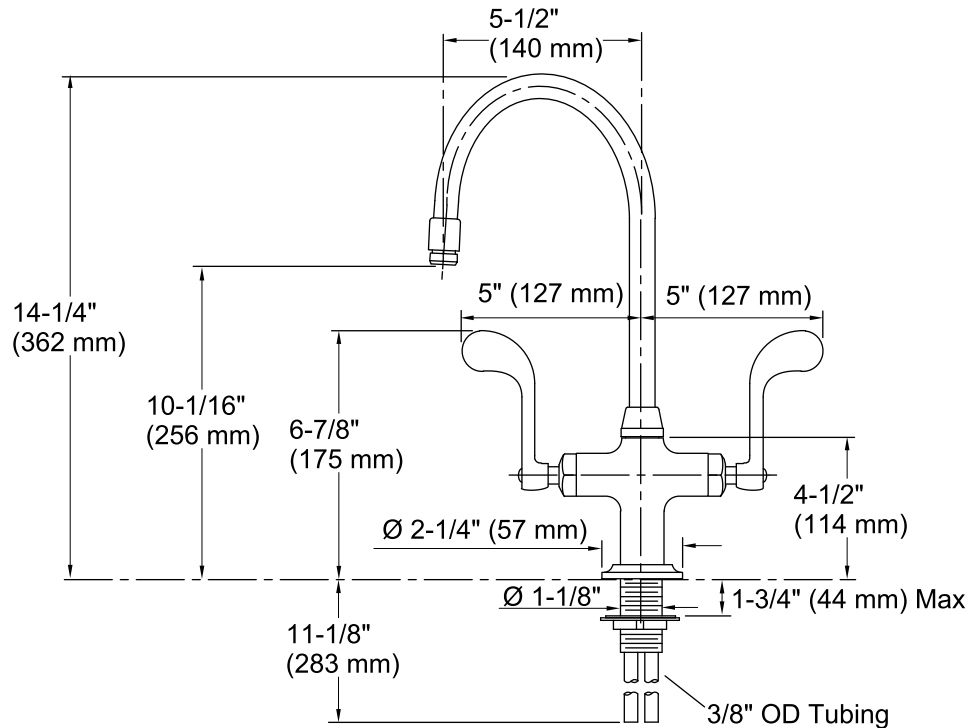
## KOHLER® Faucet Lifetime Limited Warranty

See website for detailed warranty information.

## Available Colors/Finishes

*Color tiles intended for reference only.*

Color	Code	Description
	CP	Polished Chrome
	BN	Vibrant® Brushed Nickel
	BV	Vibrant® Brushed Bronze



## Technical Information

All product dimensions are nominal.

### Faucet:

Flow rate: 1.5 gal/min (5.7 l/min)

Pressure: 60 psi (4.1 bar)

### Spout:

Spout reach: 5-1/2" (140 mm)

## Notes

Install this product according to the installation guide.

One 1-3/8" (35 mm) diameter hole in the bathroom sink and/or countertop is required for faucet installation.

ADA, CSA B651 compliant when installed to the specific requirements of these regulations.