

Features

- Brass construction.
- Brass valve bodies.
- Valvet® valves.
- Rotating spout.
- For 8" (203 mm) centers.
- Inside threaded couplings.
- 8" (203 mm) spout reach.
- 2.2 gal/min (8.3 l/min) maximum flow rate [max at 60 psi (4.14 bar)].



Codes/Standards

ASME A112.18.1/CSA B125.1

NSF/ANSI 61

NSF/ANSI 372

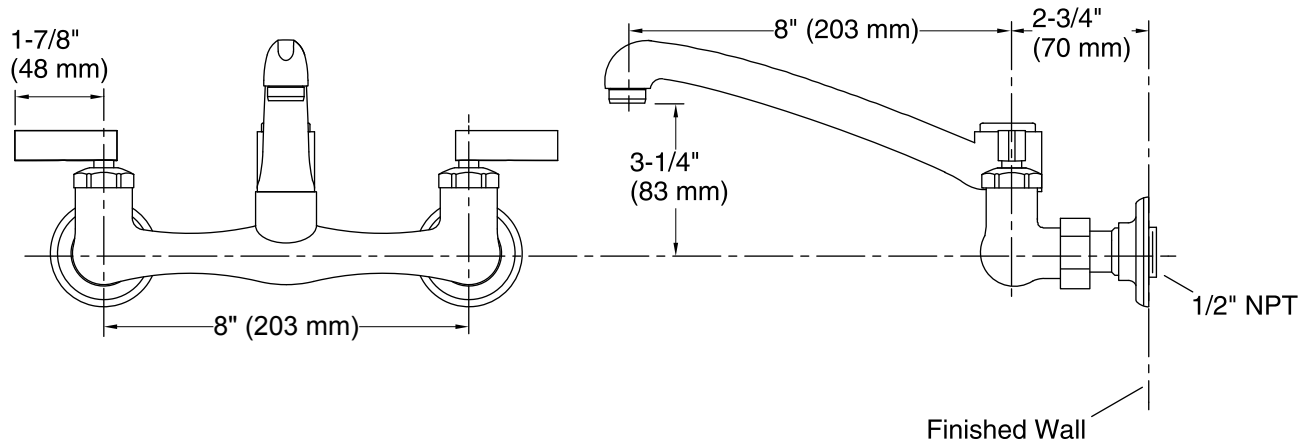
All applicable US Federal and State material regulations

DOE - Energy Policy Act 1992

California Energy Commission (CEC)

KOHLER® Faucet Lifetime Limited Warranty

See website for detailed warranty information.



Technical Information

All product dimensions are nominal.

Faucet:

Flow rate: 2.2 gal/min (8.3 l/min)

Pressure: 60 psi (4.1 bar)

Spout:

Spout reach: 8" (203 mm)

Notes

Install this product according to the installation guide.