

### Features

- Brass construction.
- Brass valve bodies.
- Quarter-turn washerless ceramic disc valves.
- Matching finish sidespray.
- Escutcheon plate.
- For 8" (203 mm) centers.
- Lower flow aerator options are available (refer to the Kohler Price Book).
- Variety of handle style options.
- 8-1/8" (206 mm) swing spout reach.
- 1.5 gal/min (5.7 l/min) maximum flow rate [max at 60 psi (4.14 bar)].

### Required Products/Accessories

K-16010-2 Standard Handles for Centerset Base Faucet

or

K-16010-3 Cross Handles for Centerset Base Faucet

or

K-16010-4 Lever Handles for Centerset Base Faucet

or

K-16010-5 Wristblade Lever Handles for Centerset Base Faucet

### Optional Products/Accessories

1011402 SD Spray Deep Rough-in Kit

1160595 .35 gpm Aerator, Medium



ADA

### Codes/Standards

ASME A112.18.1/CSA B125.1

NSF/ANSI 61

NSF/ANSI 372

All applicable US Federal and State material regulations

DOE - Energy Policy Act 1992

California Energy Commission (CEC)

ADA

### KOHLER® Faucet Lifetime Limited Warranty

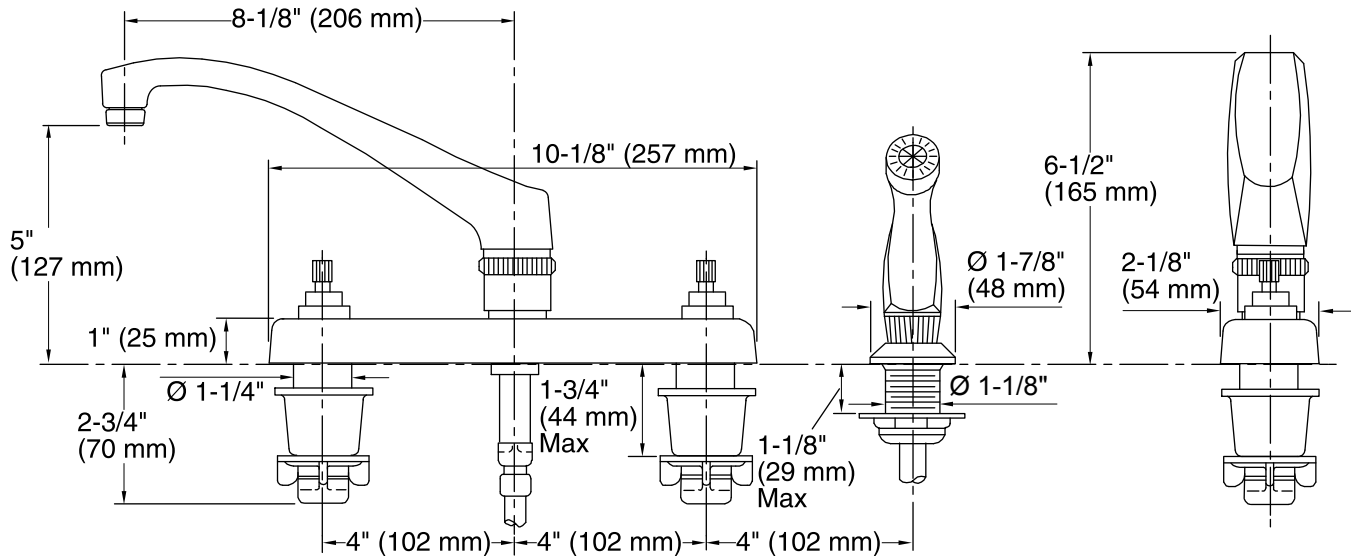
See website for detailed warranty information.

### Available Colors/Finishes

*Color tiles intended for reference only.*

Color	Code	Description
-------	------	-------------

	CP	Polished Chrome
--	----	-----------------



### Technical Information

All product dimensions are nominal.

#### Faucet:

Flow rate: 2.2 gal/min (8.3 l/min)

Pressure: 60 psi (4.1 bar)

#### Spout:

Spout reach: 8-1/8" (206 mm)

### Notes

Install this product according to the installation guide.

For wristblade handles reposition handle blade forward, to avoid contact with spray.

ADA compliant when installed to the specific requirements of these regulations.