

Features

- Cable operated.
- For use with Fountainhead®, VibrAcoustic®, and Purist® baths.

Material

- 17-gauge brass construction.
- Brass tailpiece.

Installation

- Through-floor operation.



Codes/Standards




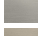

ASME A112.18.2/CSA B125.2

KOHLER® One-Year Limited Warranty

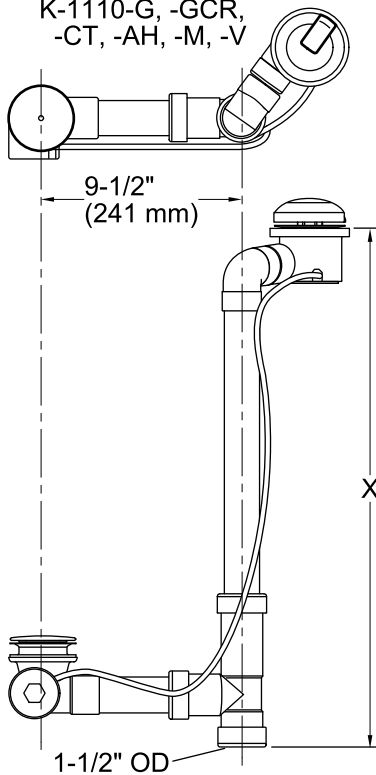
See website for detailed warranty information.

Available Colors/Finishes

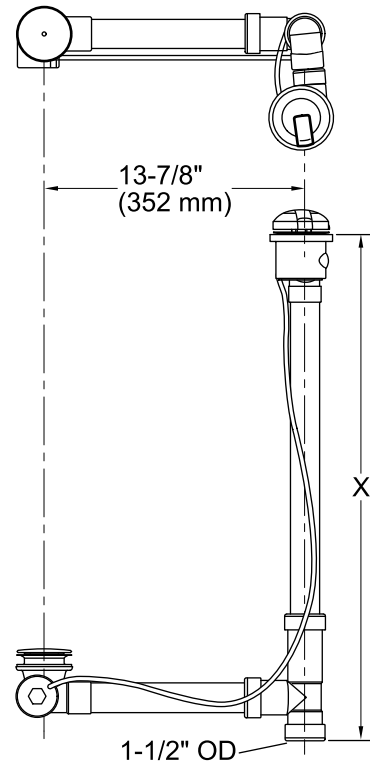
Color tiles intended for reference only.

Color	Code	Description
	CP	Polished Chrome
	SN	Vibrant® Polished Nickel
	AF	Vibrant® French Gold
	BN	Vibrant® Brushed Nickel
	BV	Vibrant® Brushed Bronze

For Baths: K-1190
K-1110
K-1110-G, -GCR,
-CT, -AH, -M, -V



For Baths: K-1143
K-1152
K-1153



Technical Information

All product dimensions are nominal.

Notes

Install this product according to the installation guide.

Dimension X = The cut length of the brass pipe will depend upon your bath model. To determine the correct cut length of the brass pipe, refer to the cut-line template packed with the drain or the "Cut the Pipe" section of the installation and care guide.

NOTE: When using the cut-line template, butt the edges of the cut-line template against the respective flat ends of the overflow coupling and drain elbow fittings. This will ensure the brass pipe is cut to the correct length.