

Installation Guide

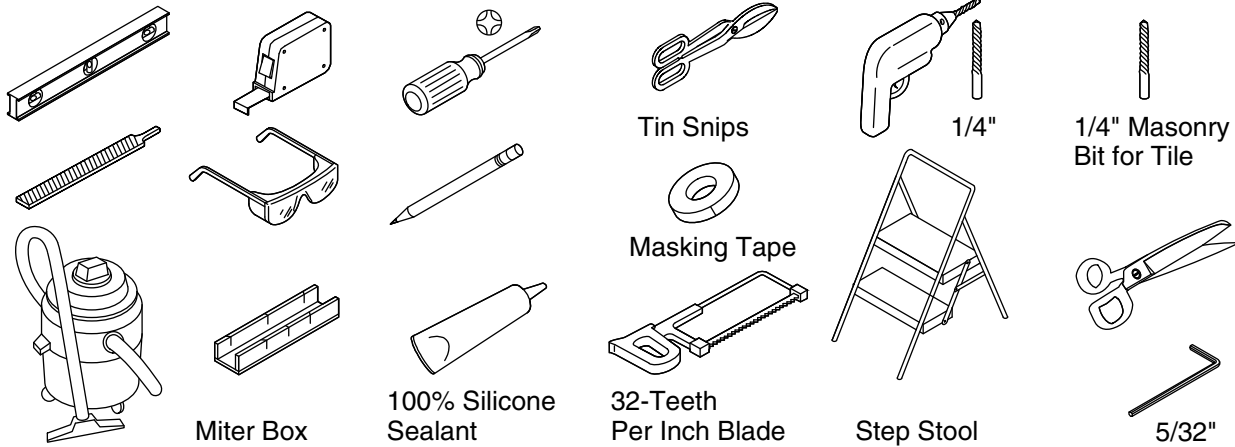
Sliding Shower and Bath Door

Français, page "Français-1"
Español, página "Español-1"

THE BOLD LOOK
OF **KOHLER**®

1381418-2-A

Tools and Materials



Before You Begin



WARNING: Risk of serious injury. Damage prior to installation can result in glass shattering. Inspect the glass and all parts for damage before installation.



WARNING: Risk of serious injury. Improper installation can result in glass shattering. Follow all installation instructions.



WARNING: Risk of serious injury. Do not cut tempered glass. Tempered glass will shatter if cut.



WARNING: Risk of serious injury. Shower door and side panels can shatter. Regularly inspect the glass and all parts for damage, missing or loose parts.



WARNING: Risk of serious injury. Always wear safety glasses while cutting and drilling.

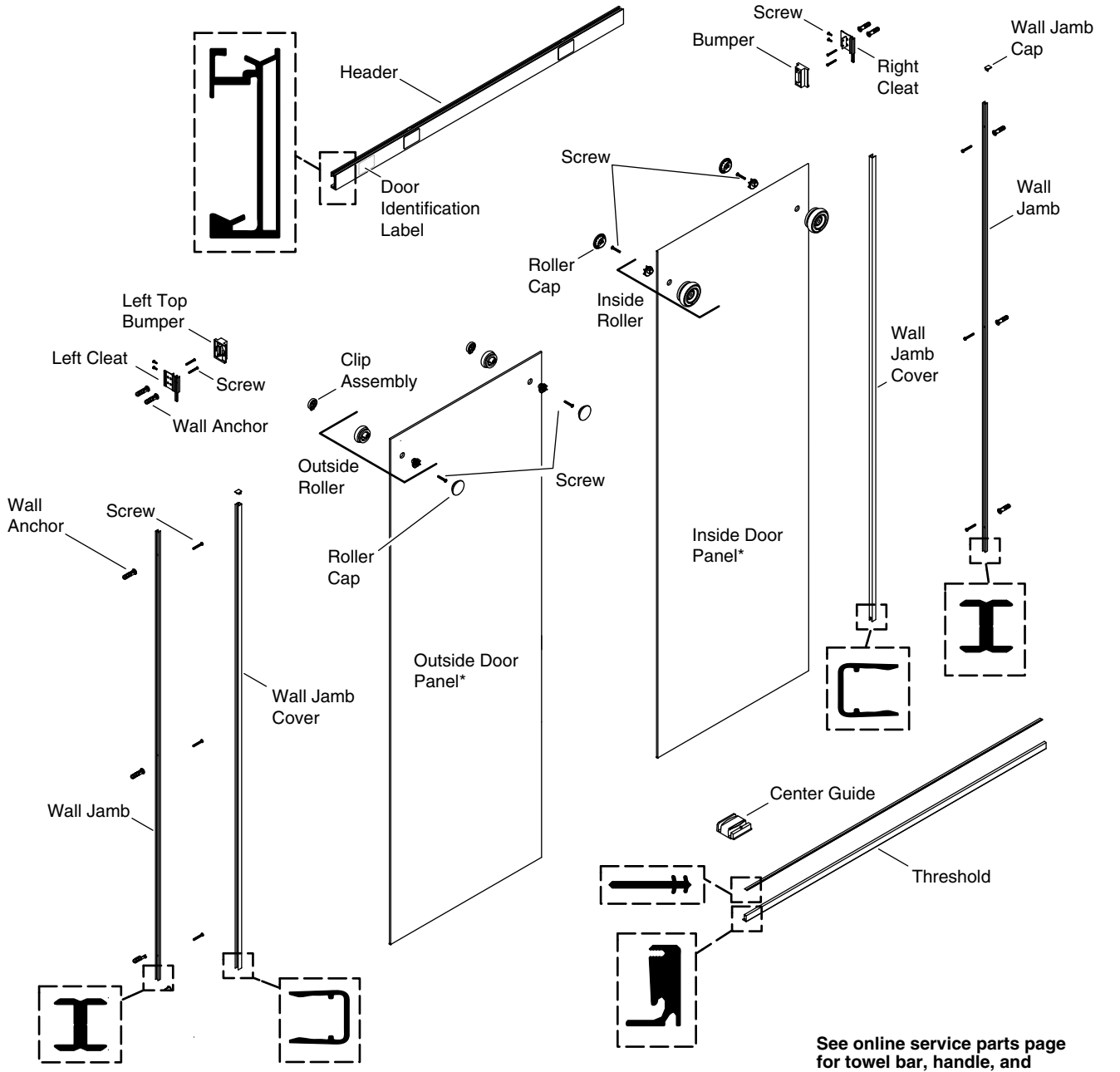
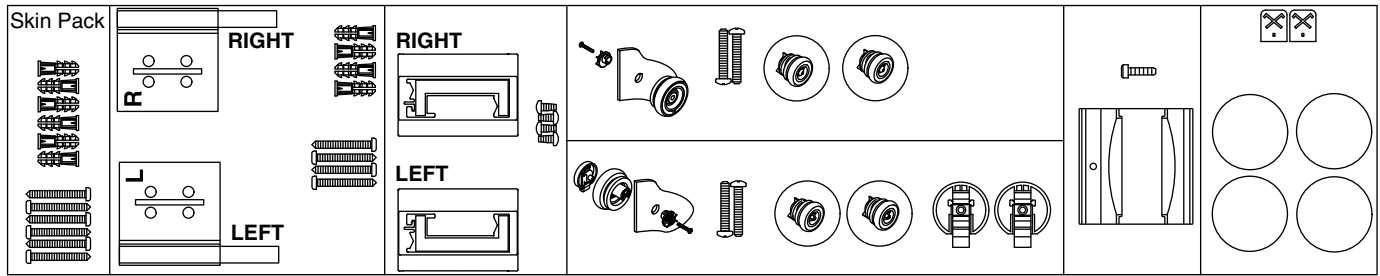


CAUTION: Risk of personal injury. Tempered glass should not contact hard surfaces or it may shatter. Do not touch the edge of the tempered glass panel with tools or any hard objects.

IMPORTANT! Leave this manual for the end user. Read these instructions before installing or using this product.

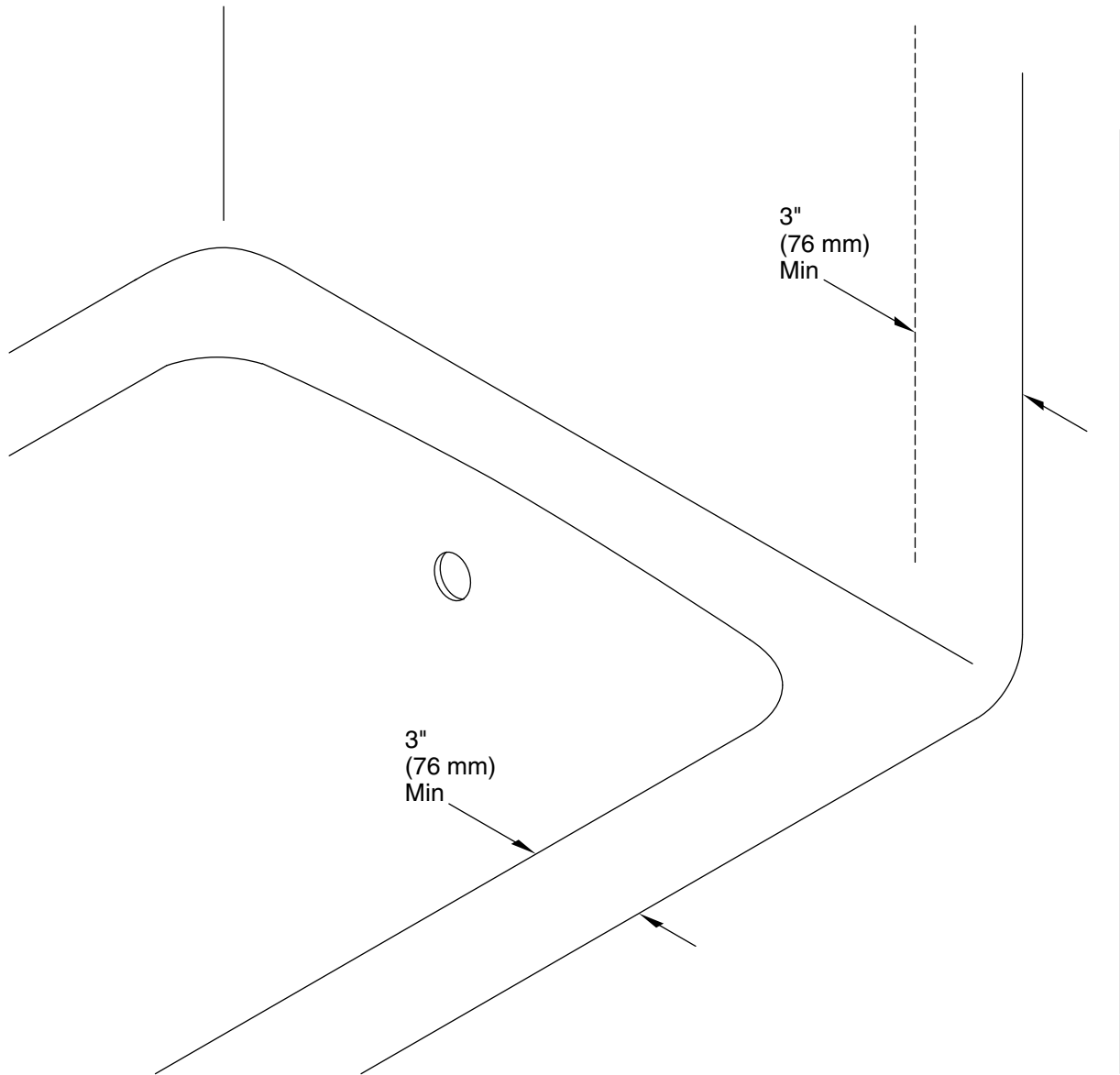
IMPORTANT! This door is designed to accommodate walls that are less than 3/8" (10 mm) out of plumb. Verify the area the door will be attached to is within 3/8" (10 mm) of plumb. The door may not function properly if the wall is more than 3/8" (10 mm) out of plumb.

- Cover the drain with tape to avoid loss of small parts.
- Identify all parts prior to installation.
- Identify the inside and outside panels by comparing the distance between the top edge of the glass and the roller mounting hole. The rollers on the inside panel are mounted lower than the outside panel.
- Follow the silicone sealant manufacturer's instructions for application and curing time.
- To watch this installation video online, visit us.kohler.com and search for your product number.



See online service parts page for towel bar, handle, and all available service parts.

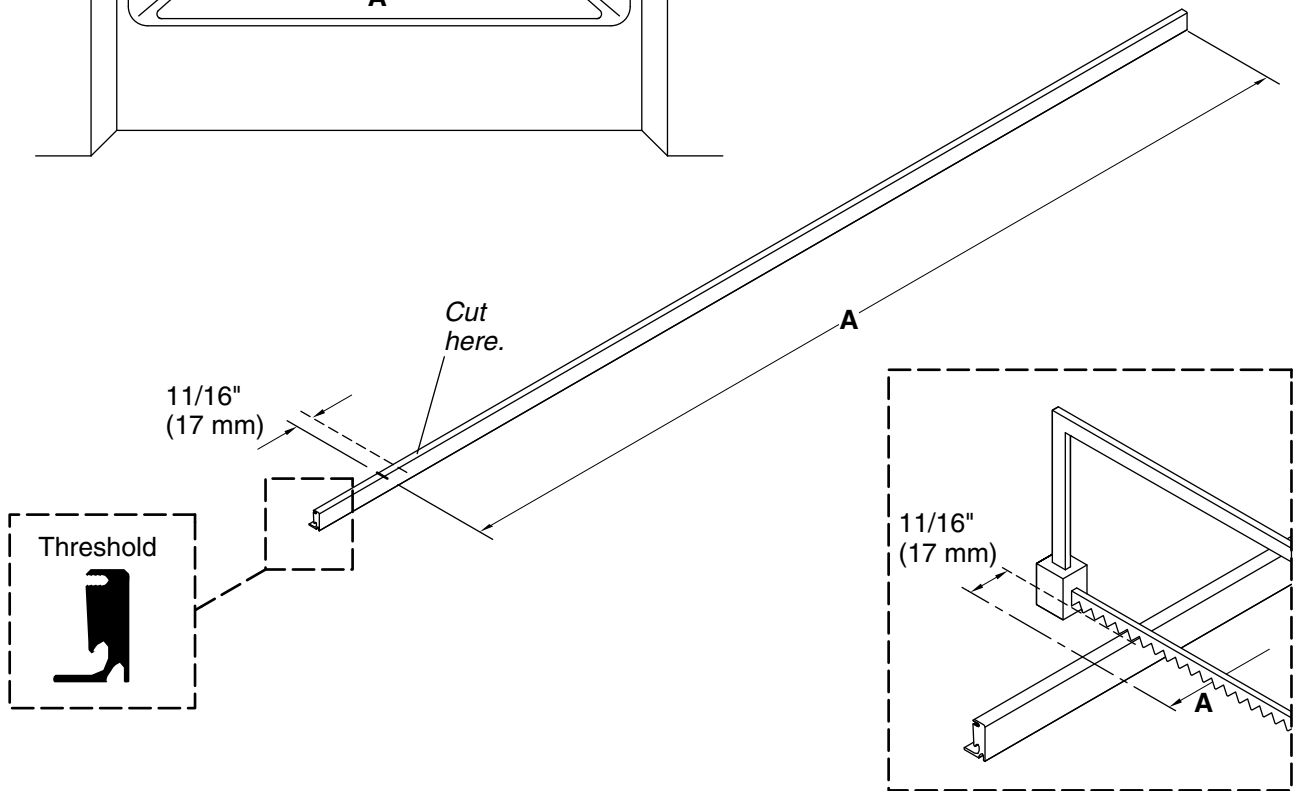
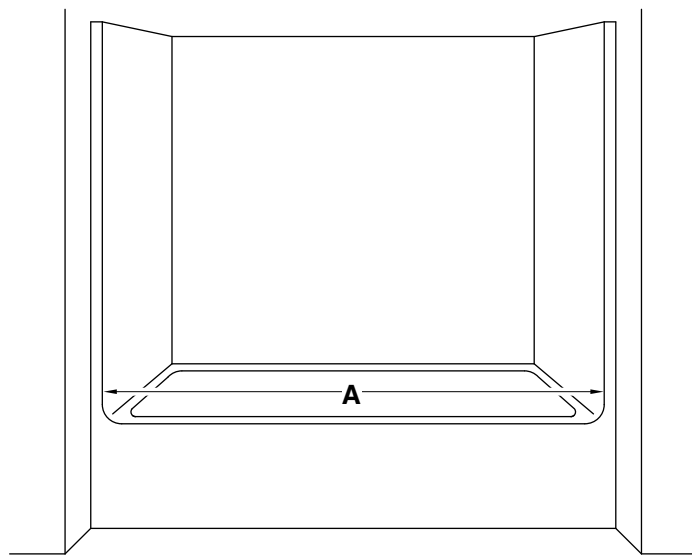
Parts Identification



1. Confirm Ledge and Wall Compatibility

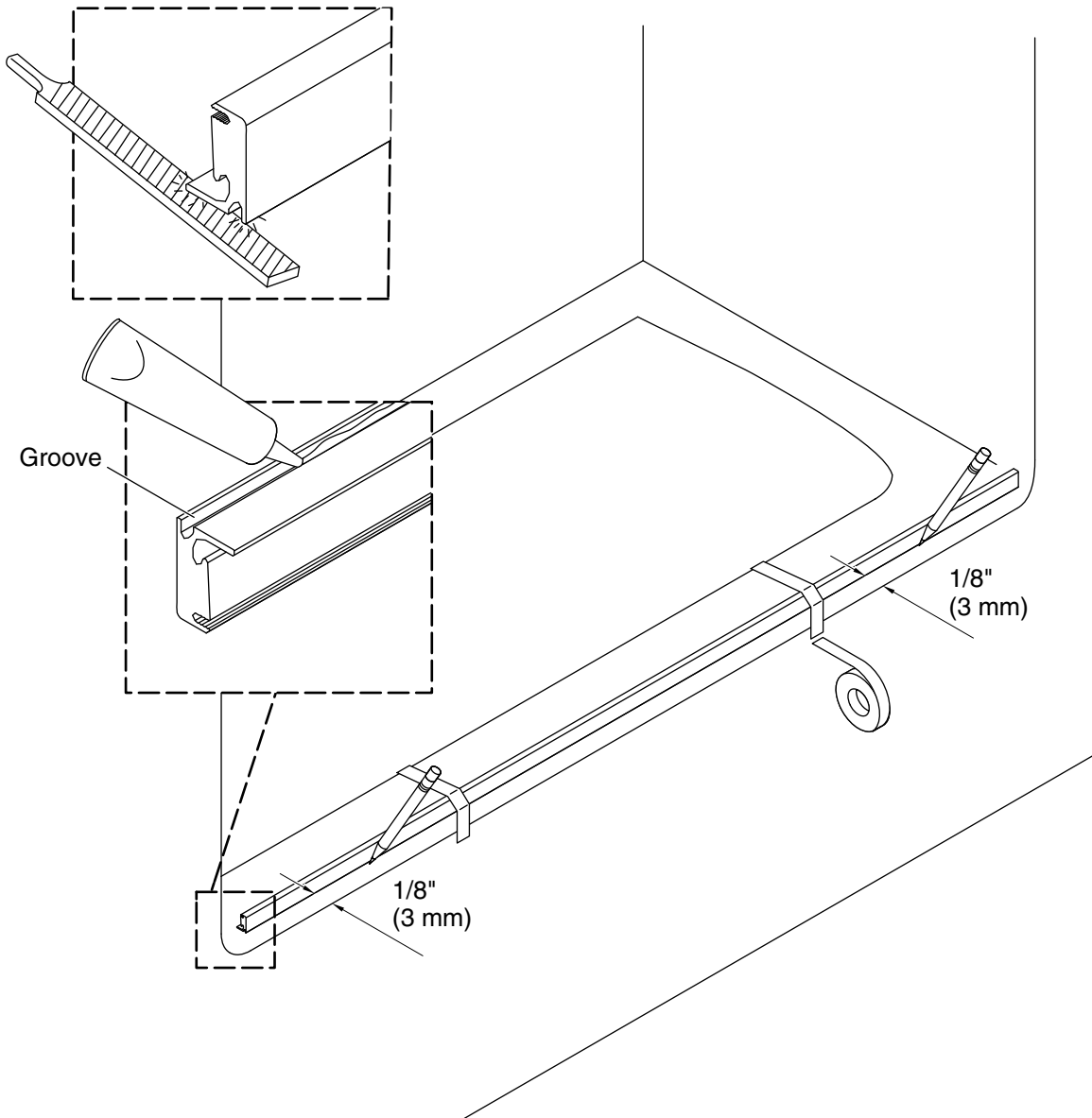
IMPORTANT! Confirm that the shower base/bath ledge and walls meet the following requirements. **Do not install the door** if these requirements are not met.

- There must be at least 3" (76 mm) of flat surface on the shower base/bath ledge and walls.
- Walls must be within 3/8" (10 mm) of plumb.
- The shower base/bath ledge must be within 3/8" (10 mm) of level.



2. Measure and Cut the Threshold

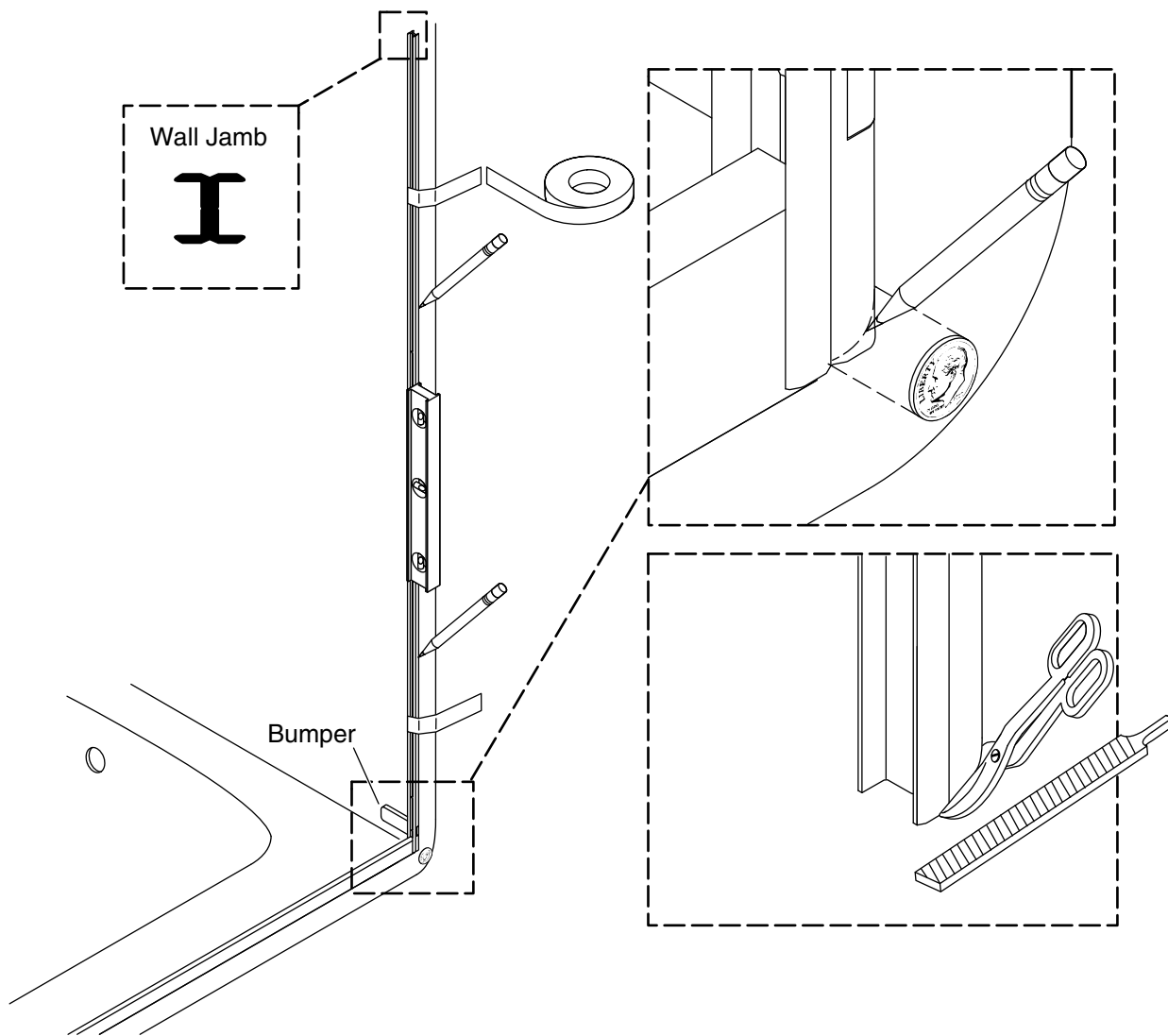
- Cover the drain with tape to avoid the loss of small parts.
- Use a drop cloth to protect the shower surface.
- Measure distance "A" between the shower walls and mark it on the threshold.
- Measure 11/16" (17 mm) from "A" and make a second mark on the threshold as shown.
- Cut the threshold at the second mark and file any rough edges.



3. Position the Threshold

NOTICE: The threshold must sit on a flat surface.

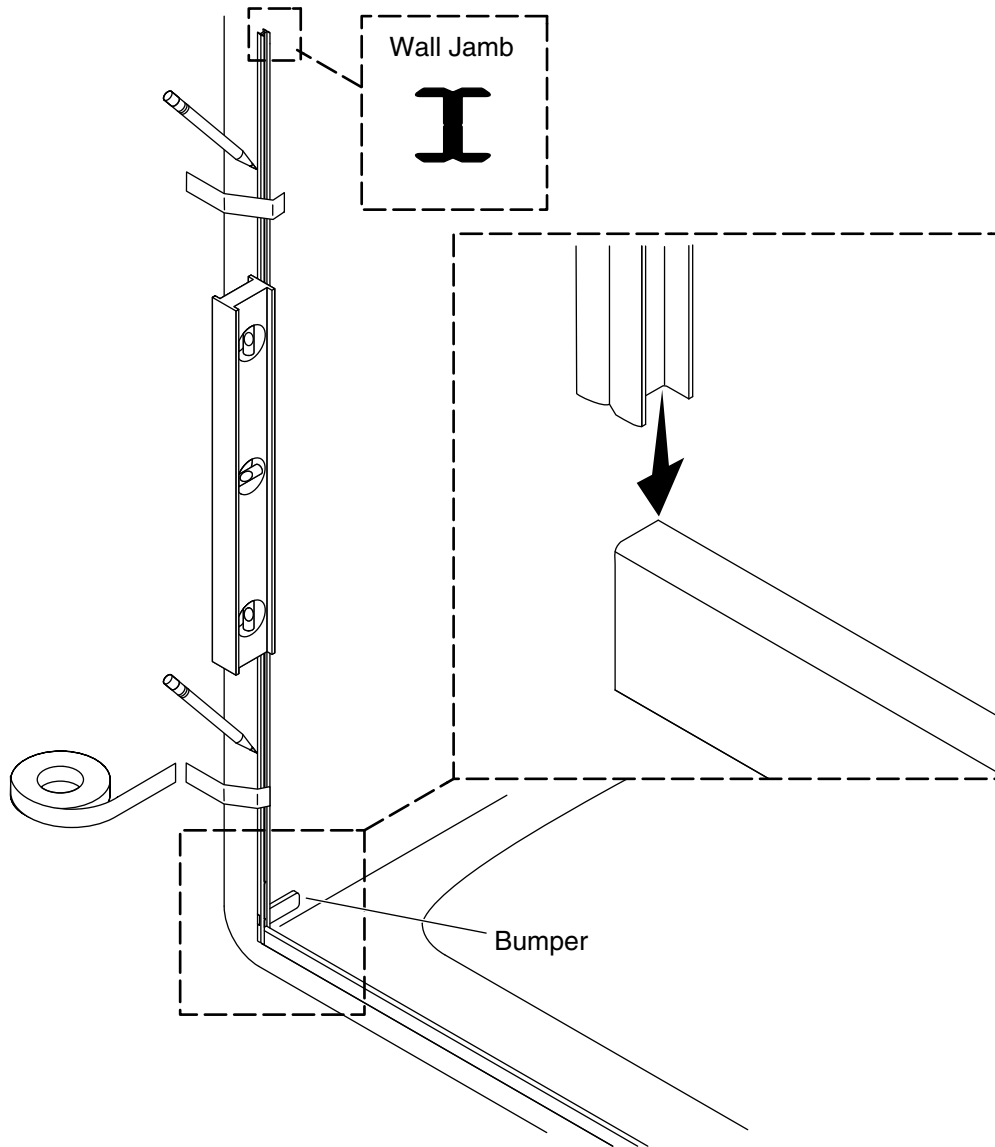
- If needed, file the ends of the threshold to match the corner radius of the shower wall.
- Align the threshold so that it is 1/8" (3 mm) from the shower base/bath ledge along its entire length and mark its location.
- Apply 100% silicone sealant to the groove in the bottom of the threshold.
- Tape the threshold securely in place along the mark, centered between the walls.



4. Prepare the First Wall Jamb

IMPORTANT! The wall jamb must fit tightly against the threshold and wall.

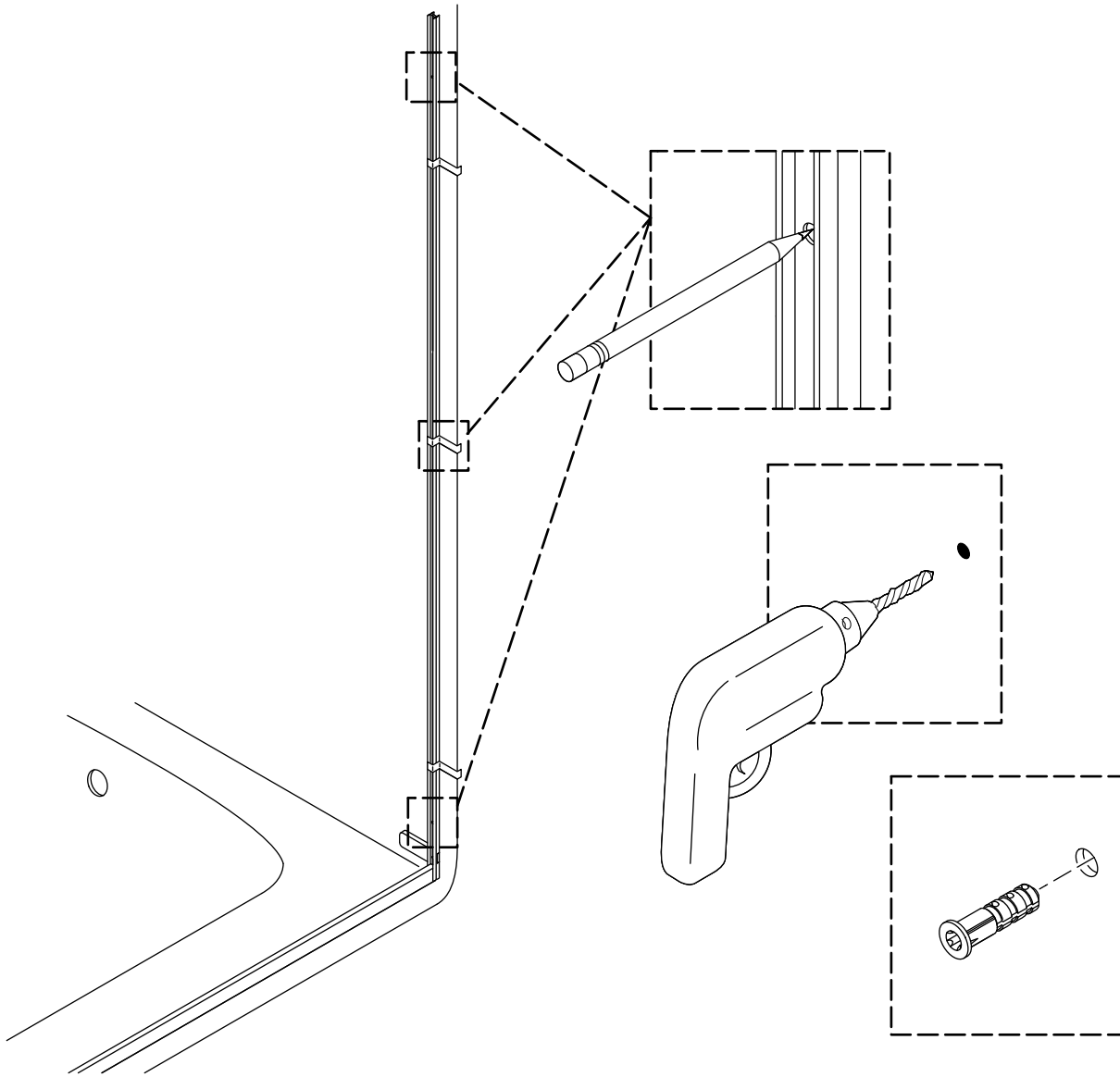
- Position the wall jamb on the threshold, against the wall, with the bumper pointing into the shower.
- If needed, shape and file the bottom corner to fit against the shower wall. Use a coin to match and transfer the corner radius.
- Plumb the wall jamb.
- Tape the wall jamb securely in place and mark its location.



5. Position the Second Wall Jamb

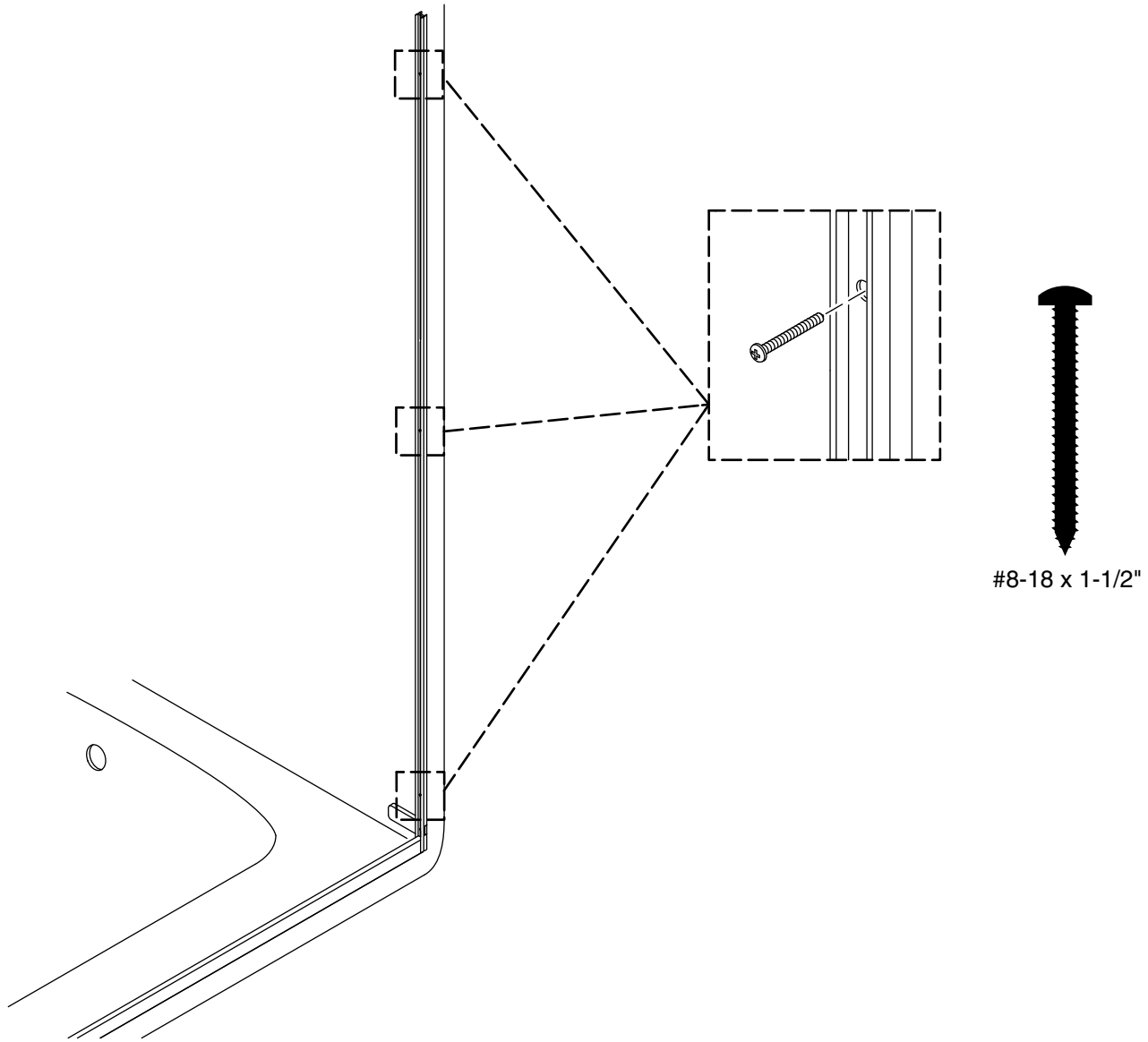
IMPORTANT! The wall jamb must fit tightly against the threshold and wall.

- With the bumper pointing into the shower, position the second wall jamb against the wall and over the threshold on the opposite shower wall.
- If needed, shape and file the bottom corner to fit against the shower wall. Use a coin to match and transfer the corner radius.
- Plumb the wall jamb.
- Tape the wall jamb securely in place and mark its location.
- Make sure the threshold is still parallel with the front of the shower base/bath ledge.



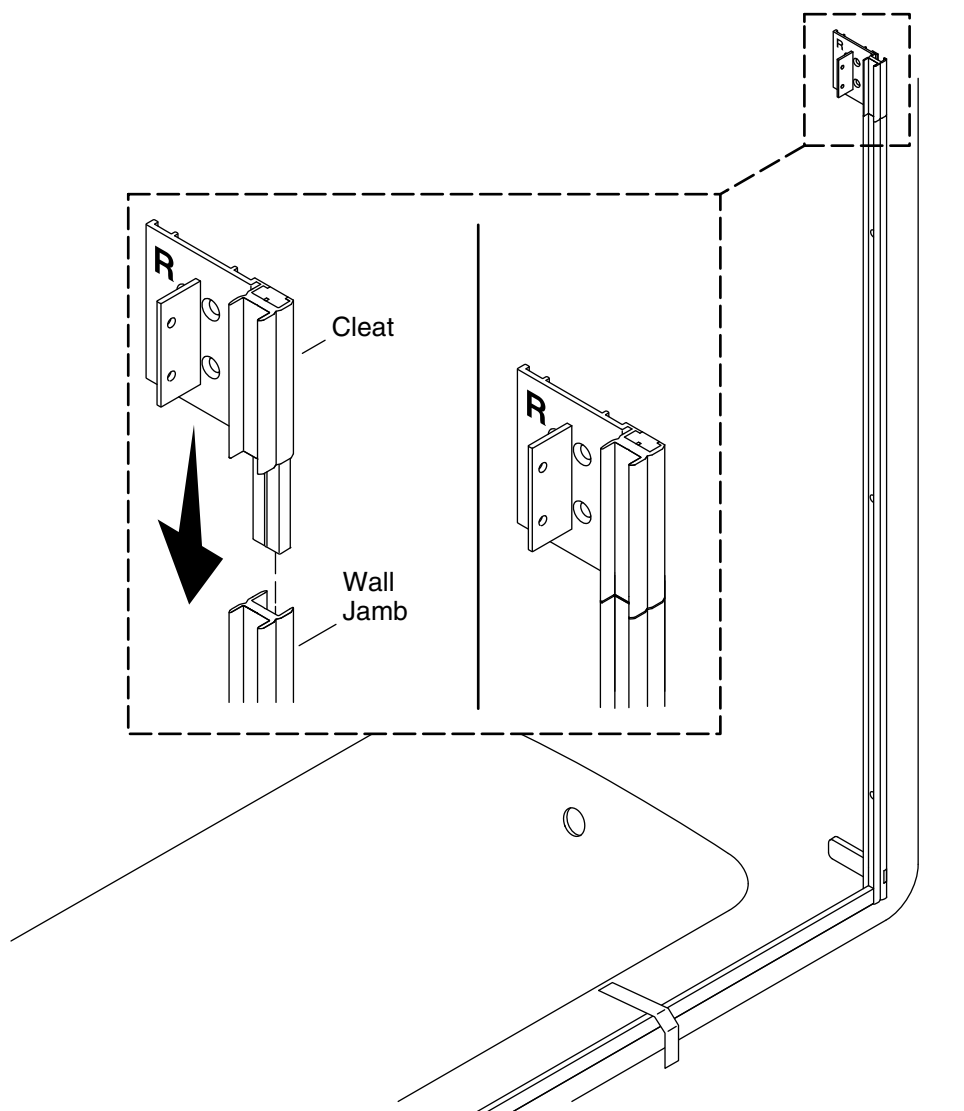
6. Mark the Wall Jamb Locations

- Mark the three anchor hole locations on each wall jamb with a pencil.
- Remove both wall jambs and set them aside.
- Drill a 1/4" hole at each marked location. Use a masonry bit for tile walls.
- Install the provided wall anchors. If necessary, gently tap the anchors until they are flush against the wall.
- Thoroughly clean the shower base and walls.



7. Install the Wall Jamb

- Replace the wall jamb, aligning it with the anchor holes.
- Secure the wall jamb with three #8-18 x 1-1/2" screws.
- Repeat for the second wall jamb.



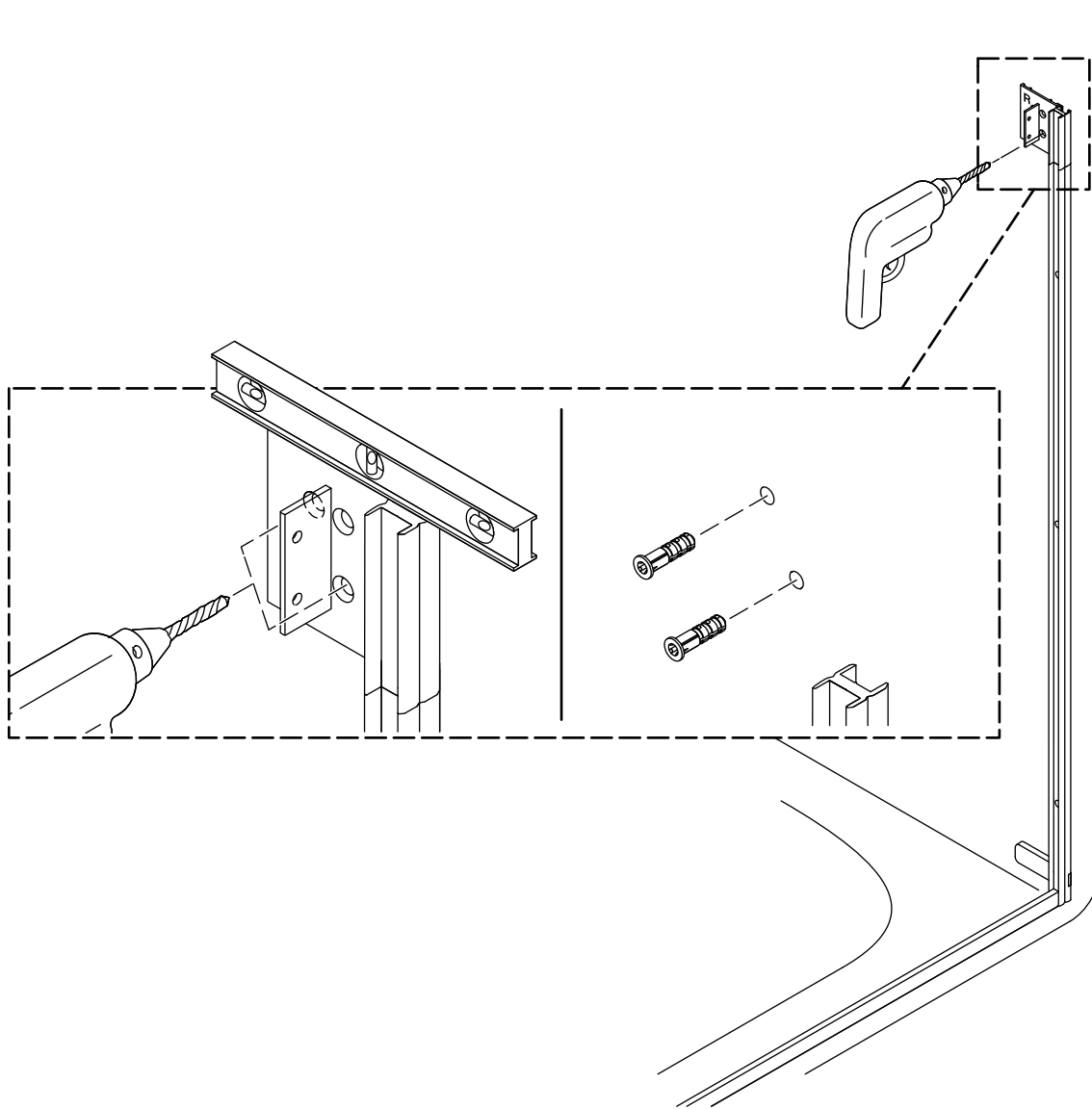
8. Position the Cleats

NOTICE: There is a left ("L") and right ("R") cleat. Position them so they are inside the shower area.

- Slide the cleat into the channel between the wall jamb and the wall.

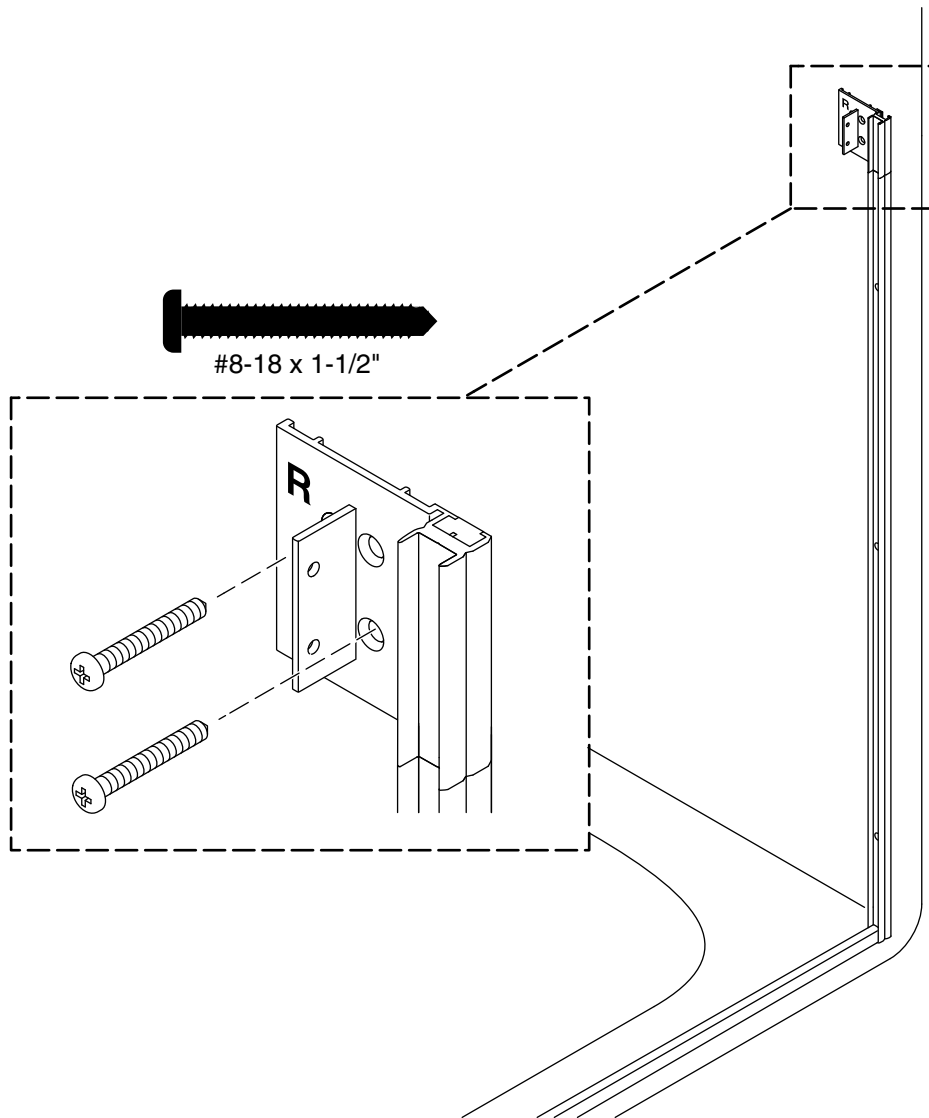
NOTICE: The cleat should be level and flat against the wall.

- Make sure the cleat sits flush against the top of the wall jamb.
- Repeat for the second cleat.



9. Install the Cleat Wall Anchors

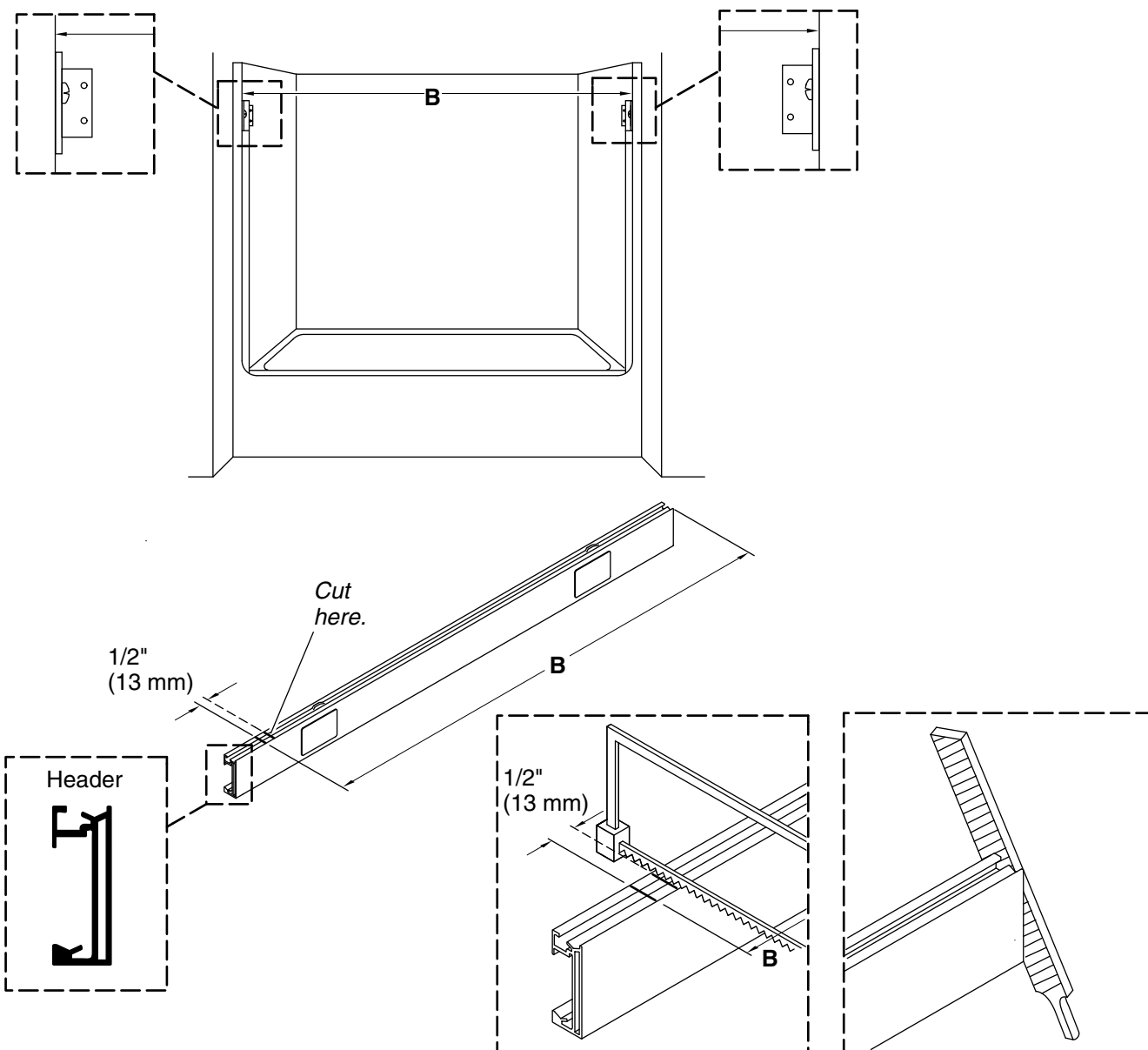
- Hold the cleat level and firmly in place and use it as a guide to drill two diagonally opposed 1/4" holes in the wall. For example, top left and bottom right.
- Remove the cleat and install the provided wall anchors. If necessary, gently tap the anchors to fully seat them against the wall.
- Repeat for the second cleat.
- Thoroughly clean the shower base/bath floor, ledge, and wall.



10. Secure the Cleats

- Secure each cleat to the wall using two #8-18 x 1-1/2" screws.
- Make sure the cleats are level. Loosen the screws and adjust the cleat position if needed.

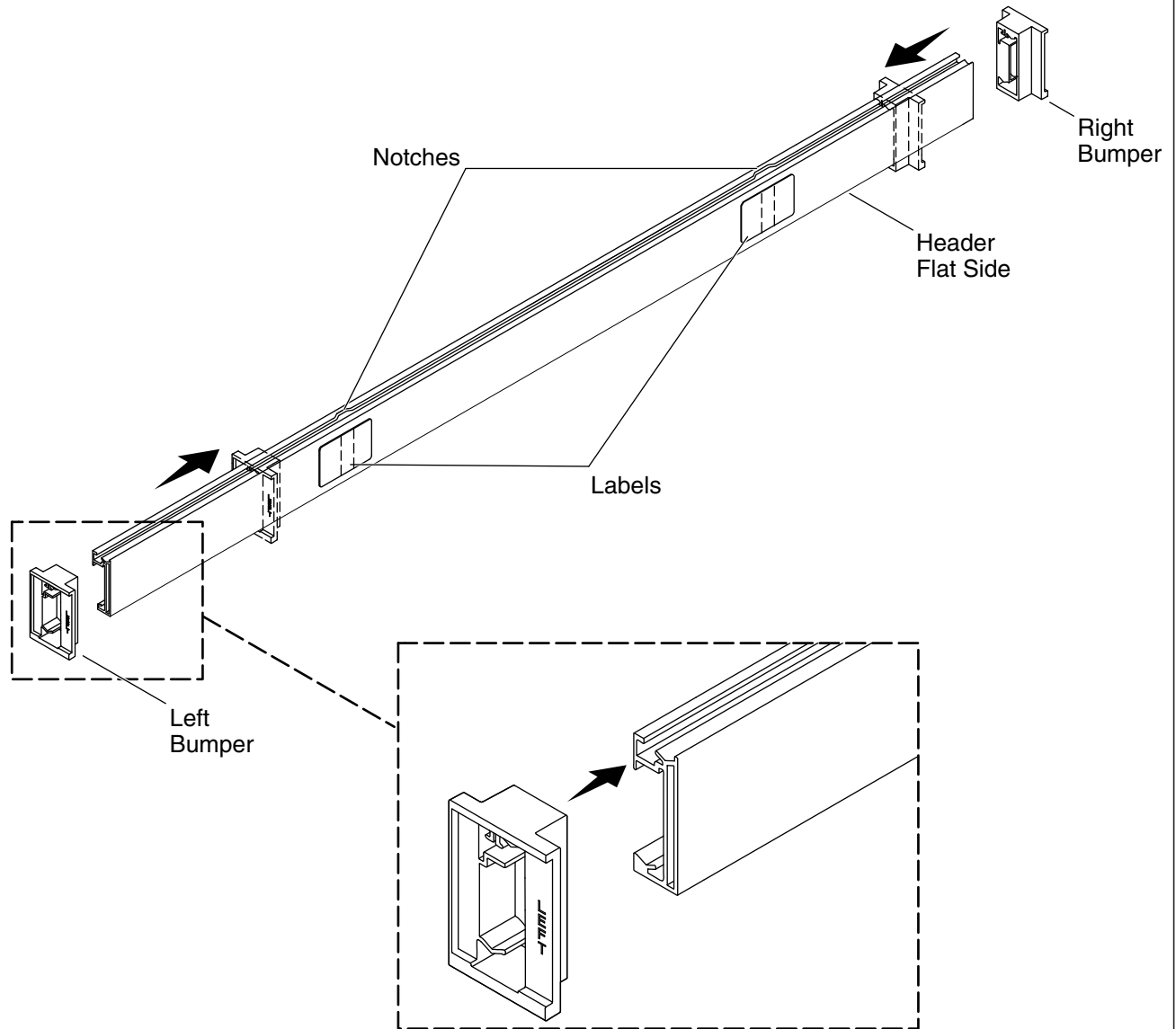
NOTICE: The second set of holes can be used if the cleat is not level. Repeat the "Install the Cleat Wall Anchors" section if needed.



11. Measure and Cut the Header

IMPORTANT! Confirm your measurements before cutting. **Do not cut the header too short.**

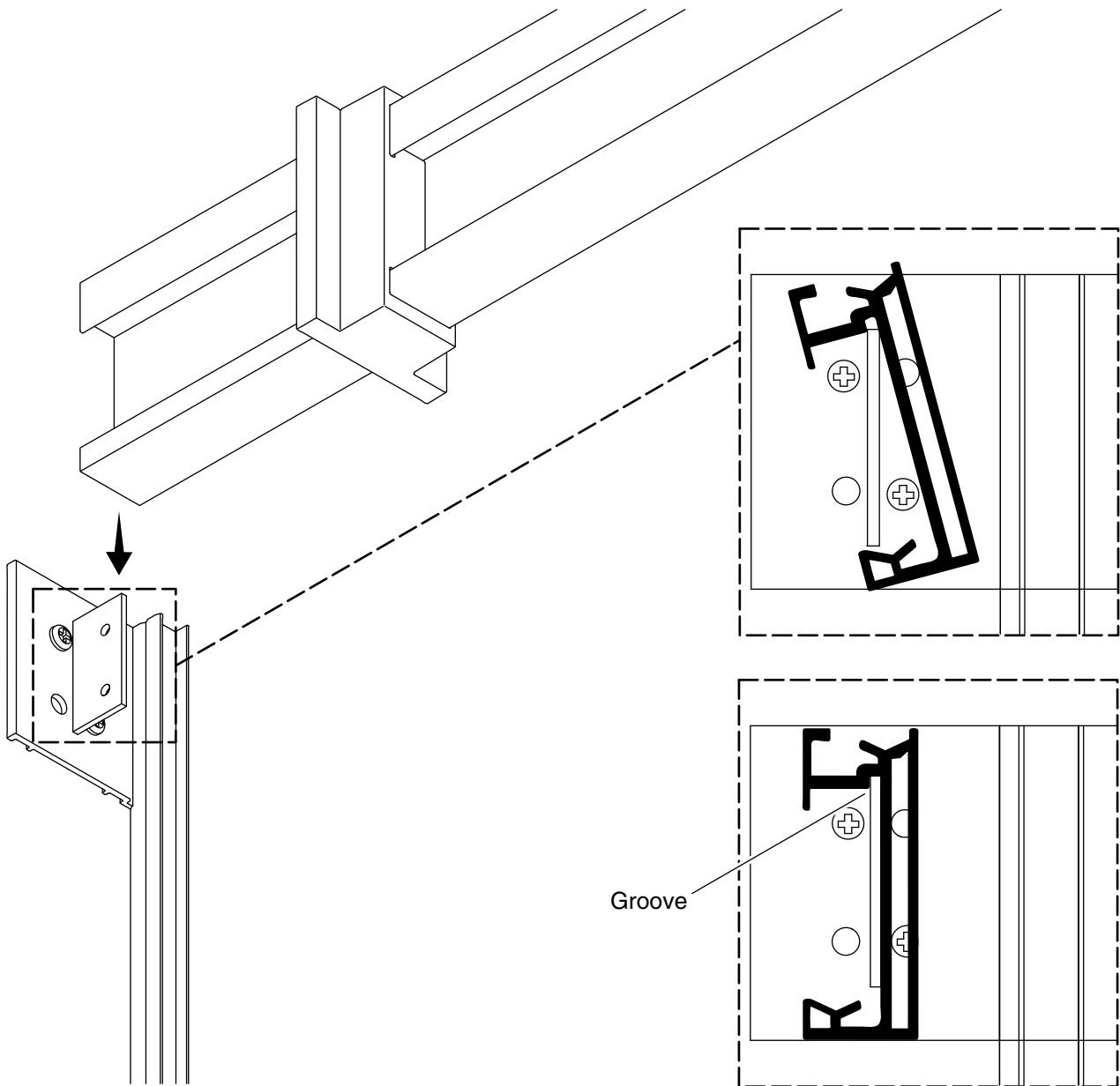
- Measure distance "B" between the walls and mark it on the header.
- Measure 1/2" (13 mm) from "B" and make a second mark on the header as shown.
- Cut the header at the second mark.
- File any rough edges and clean debris from the roller tracks.



12. Install the Bumpers to the Header

NOTICE: The words “LEFT” and “RIGHT” are molded into the bumpers.

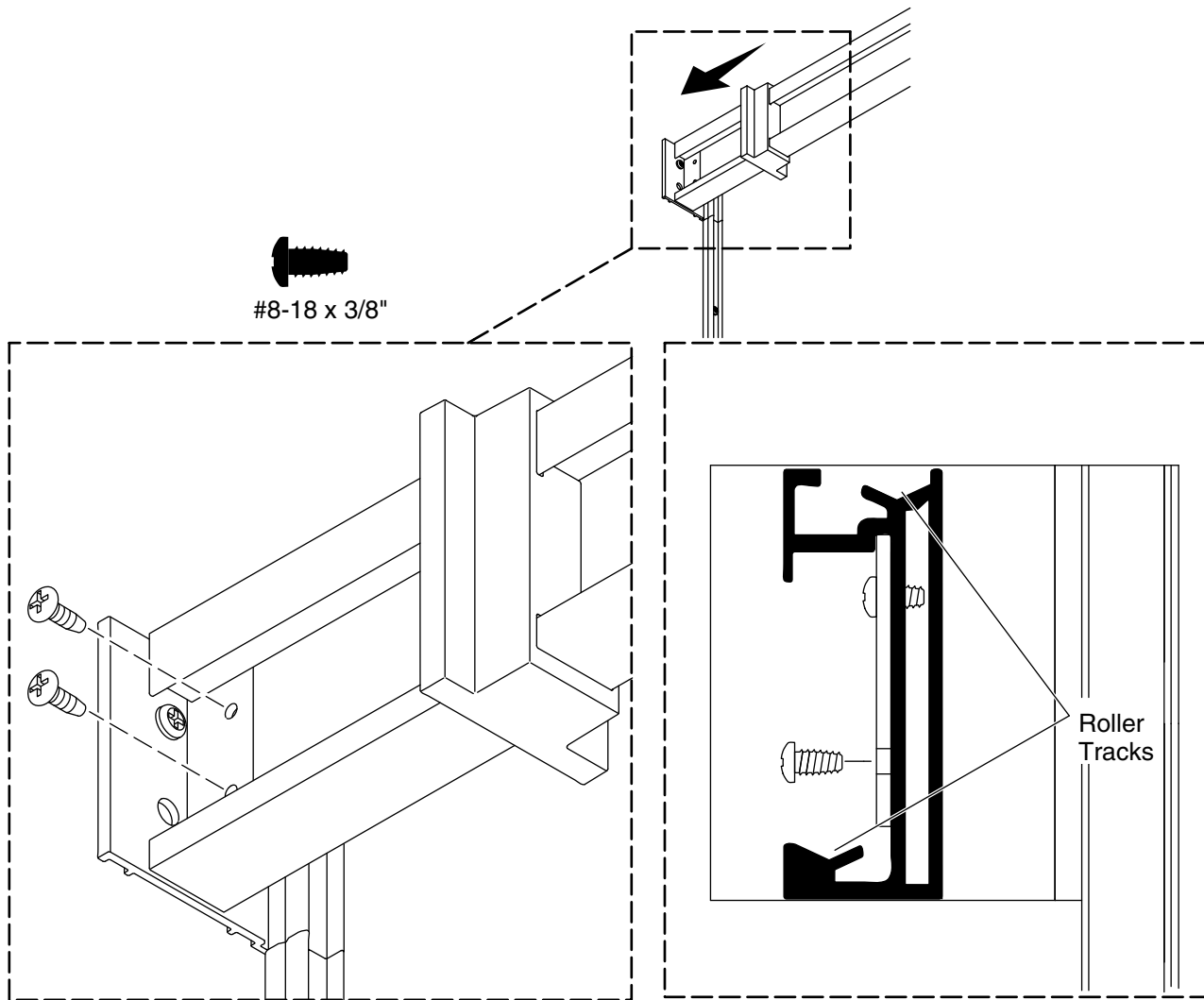
- Locate the labels on the header and observe how they align with the notches on top.
- With the labels on the header facing you, identify the left and right ends of the header.
- Slide the appropriate bumper onto each end of the header and move them toward the center.



13. Position the Header

NOTICE: The labels on the header must face the outside of the shower.

- From inside the shower, raise the header above the cleats.
- Tilt the header and lower it onto the cleats as shown.
- The tops of the cleats should fit into the top inside groove of the header as shown.
- Rotate the header in place until it is flat against the cleats.

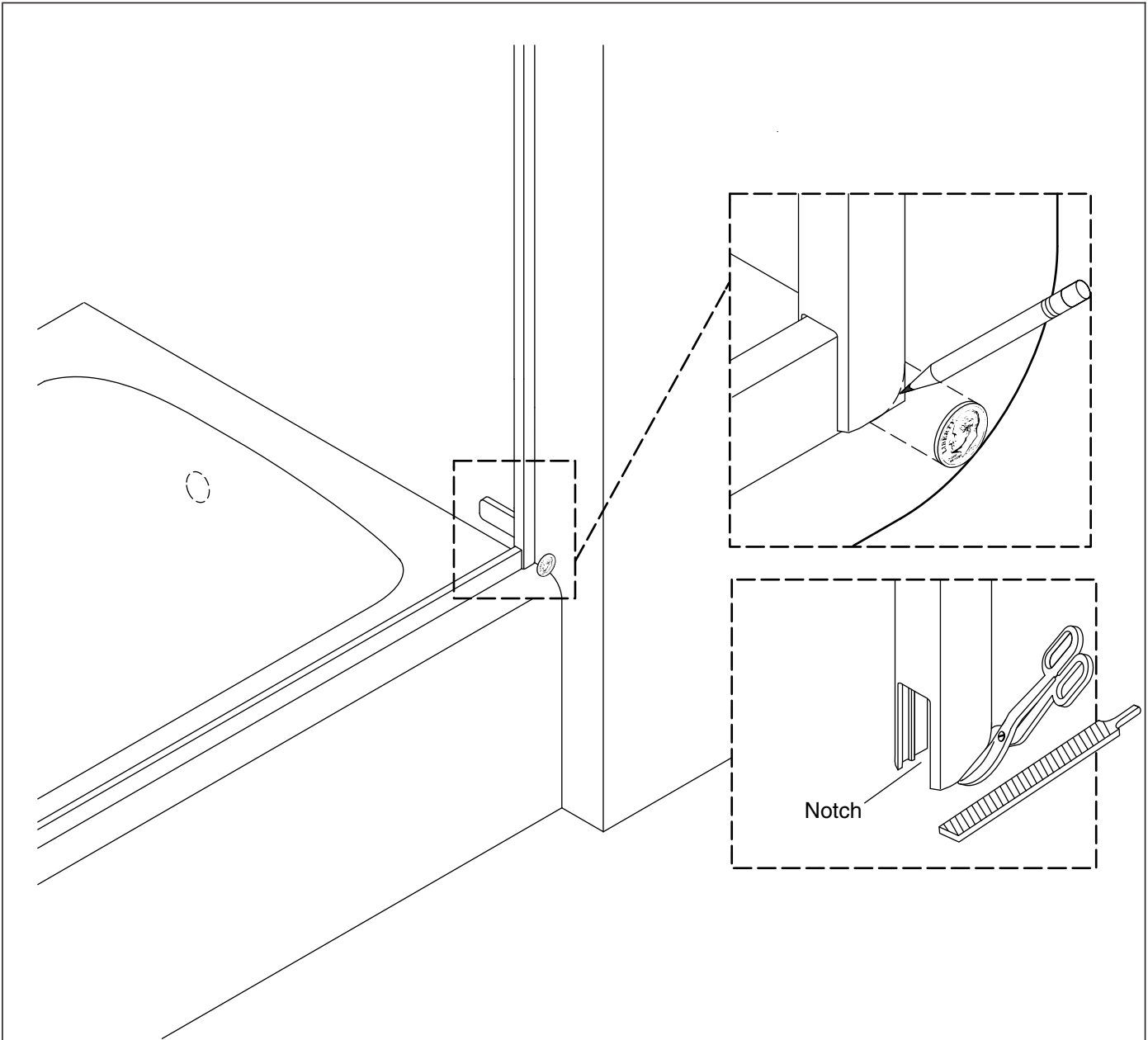


14. Secure the Header

- From inside the shower, secure the header to each cleat with two #8-18 x 3/8" self-drilling screws.

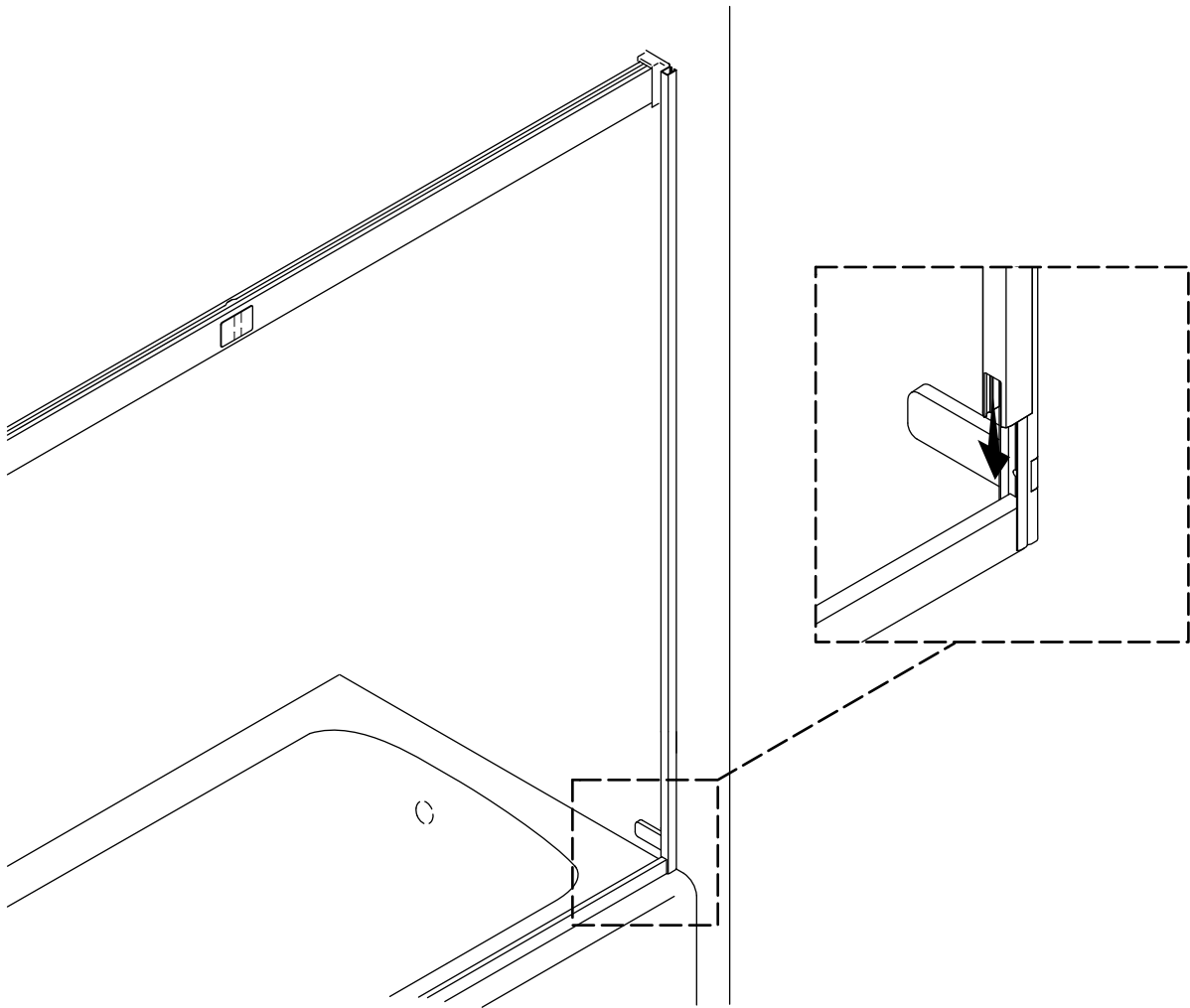
NOTE: Self-drilling screws do not require pre-drilling.

- Carefully and thoroughly clean the header. Make sure there is no debris in the roller tracks.
- Slide the bumpers flush against each wall.



15. Shape the Wall Jamb Covers

- If needed, shape and file the bottom corner of the wall jamb cover to match the corner radius of the shower wall.
- Repeat for the second wall jamb cover.

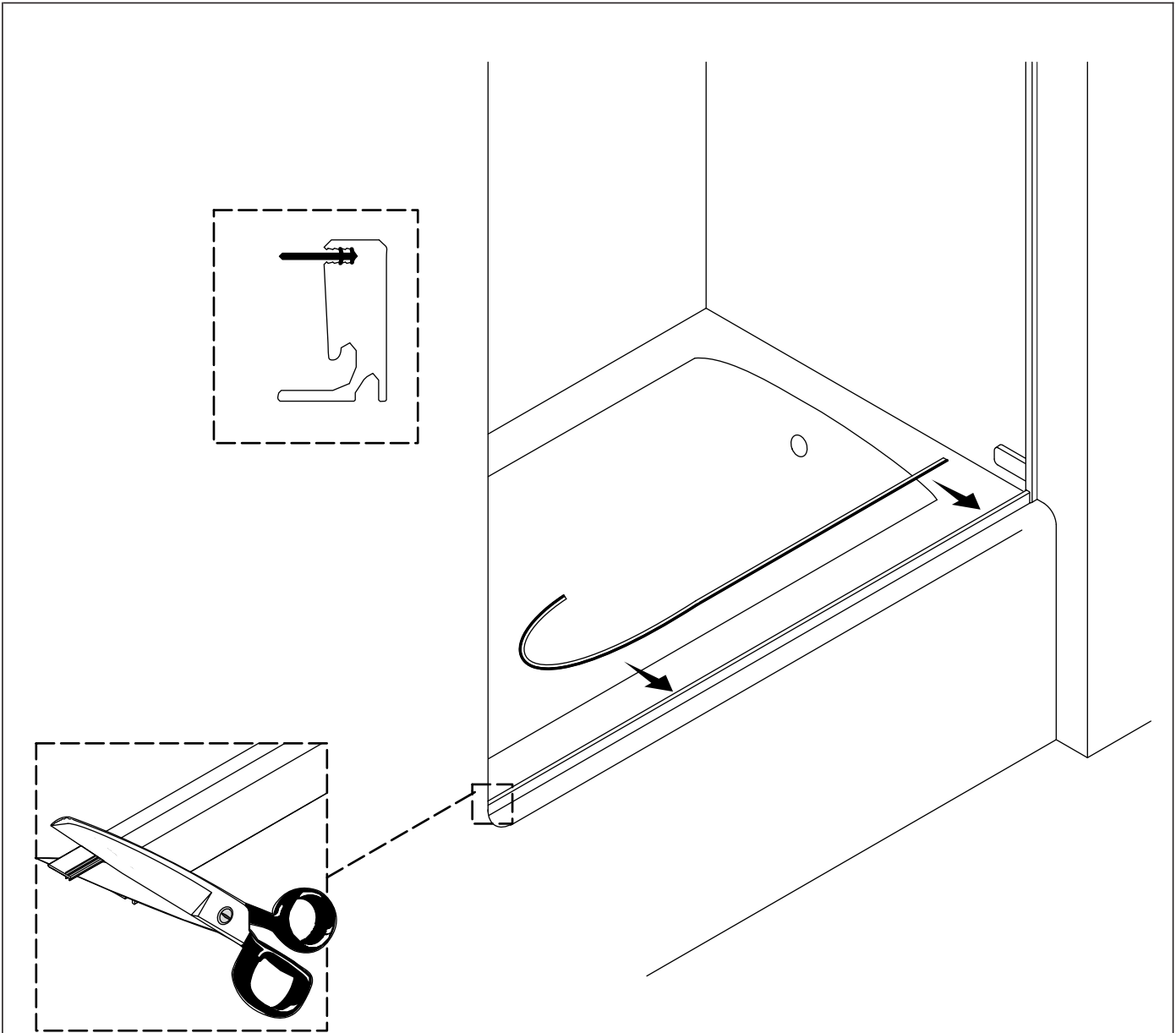


16. Install the Wall Jamb Covers

- Position the notch in the wall jamb cover over the threshold.
- Press the wall jamb cover onto the wall jamb.

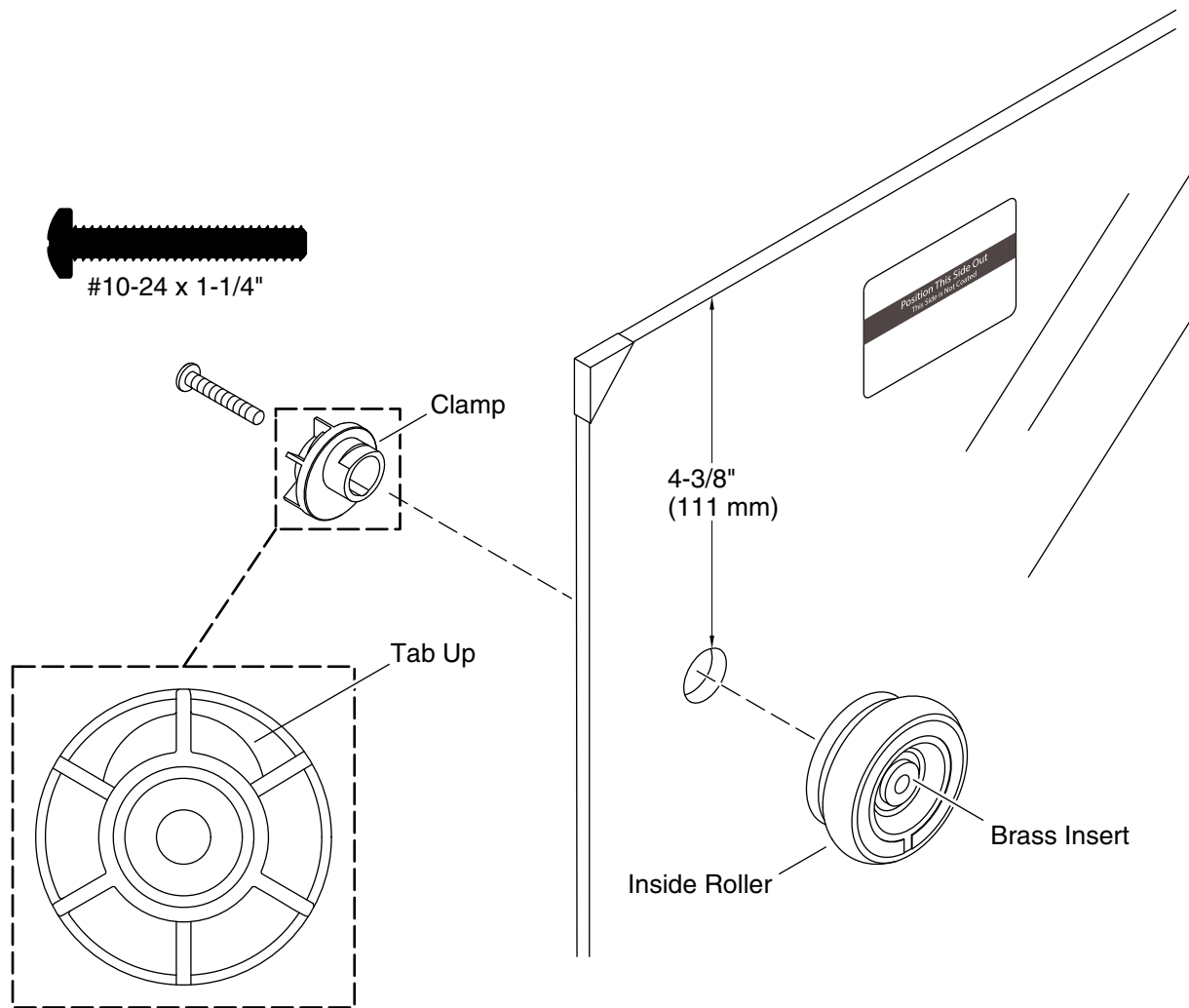
NOTICE: The wall jamb covers will not sit flush against the wall.

- Repeat for the second wall jamb cover.



17. Install the Threshold Seal

- Starting at one end, push the threshold seal completely into the threshold groove as shown.
- Trim any excess threshold seal length with scissors.

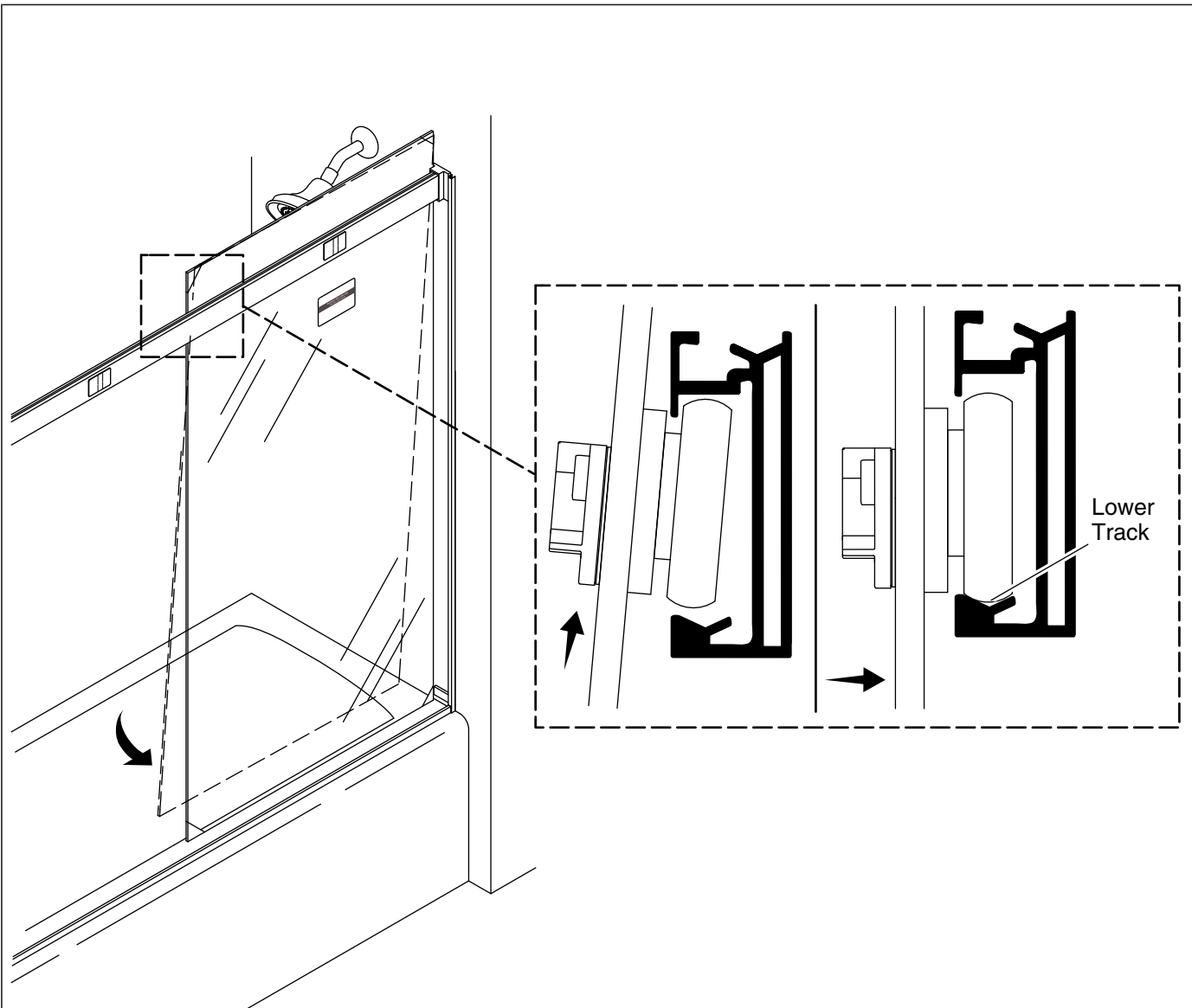


18. Assemble the Inside Panel

NOTICE: The inside panel roller mounting holes are 4-3/8" (111 mm) below the top of the panel.

NOTICE: The inside rollers contain a brass insert.

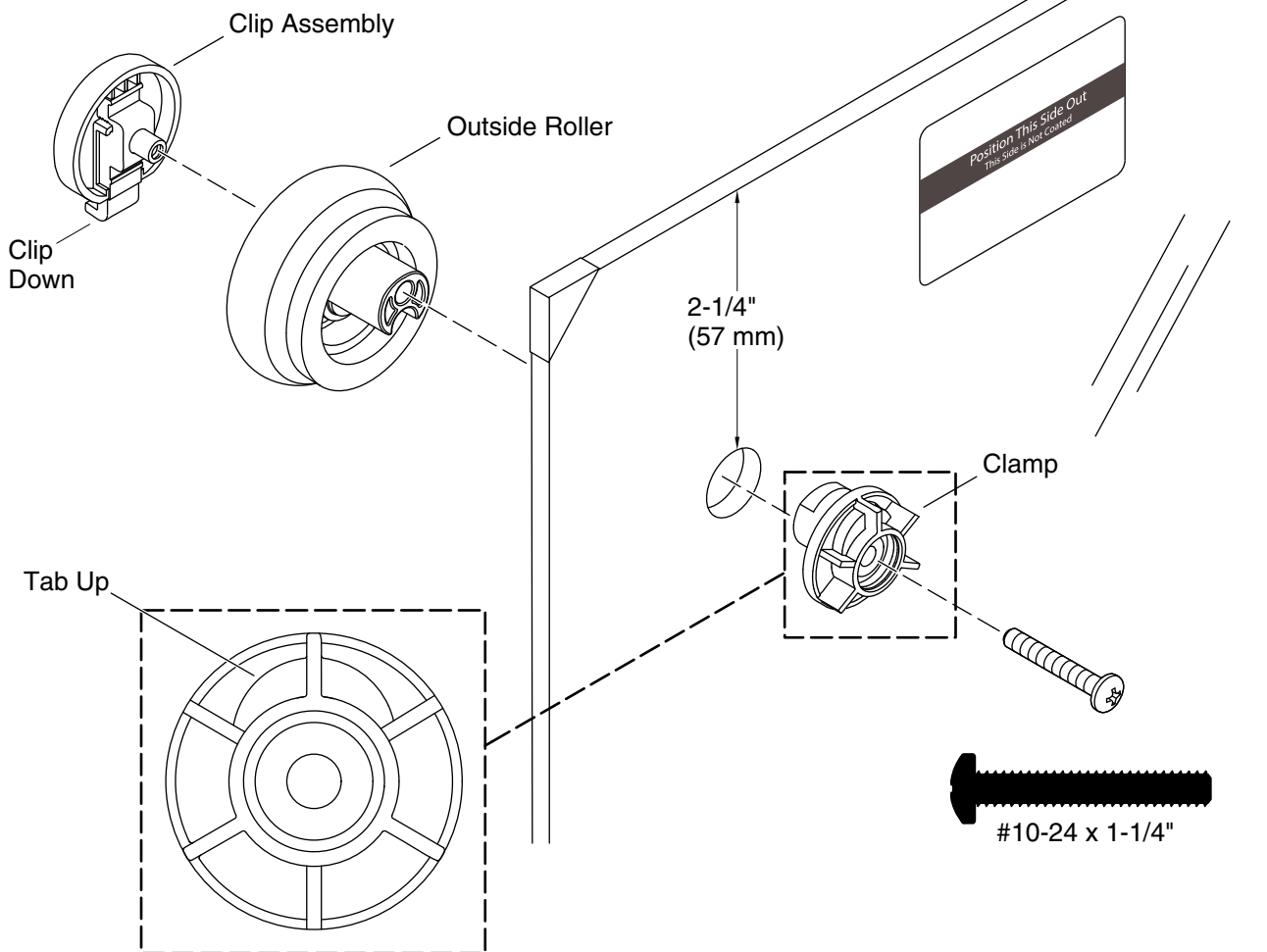
- Position each roller on the same side of the panel as the label.
- Install each inside roller with the tab on top. This will position the door at its highest setting, allowing for easier adjustment if necessary.
- Secure each roller with a #10-24 x 1-1/4" screw.
- Using a hand screwdriver only, **securely** tighten the screws.



19. Install the Inside Panel

NOTE: The rollers and the label face the outside of the shower.

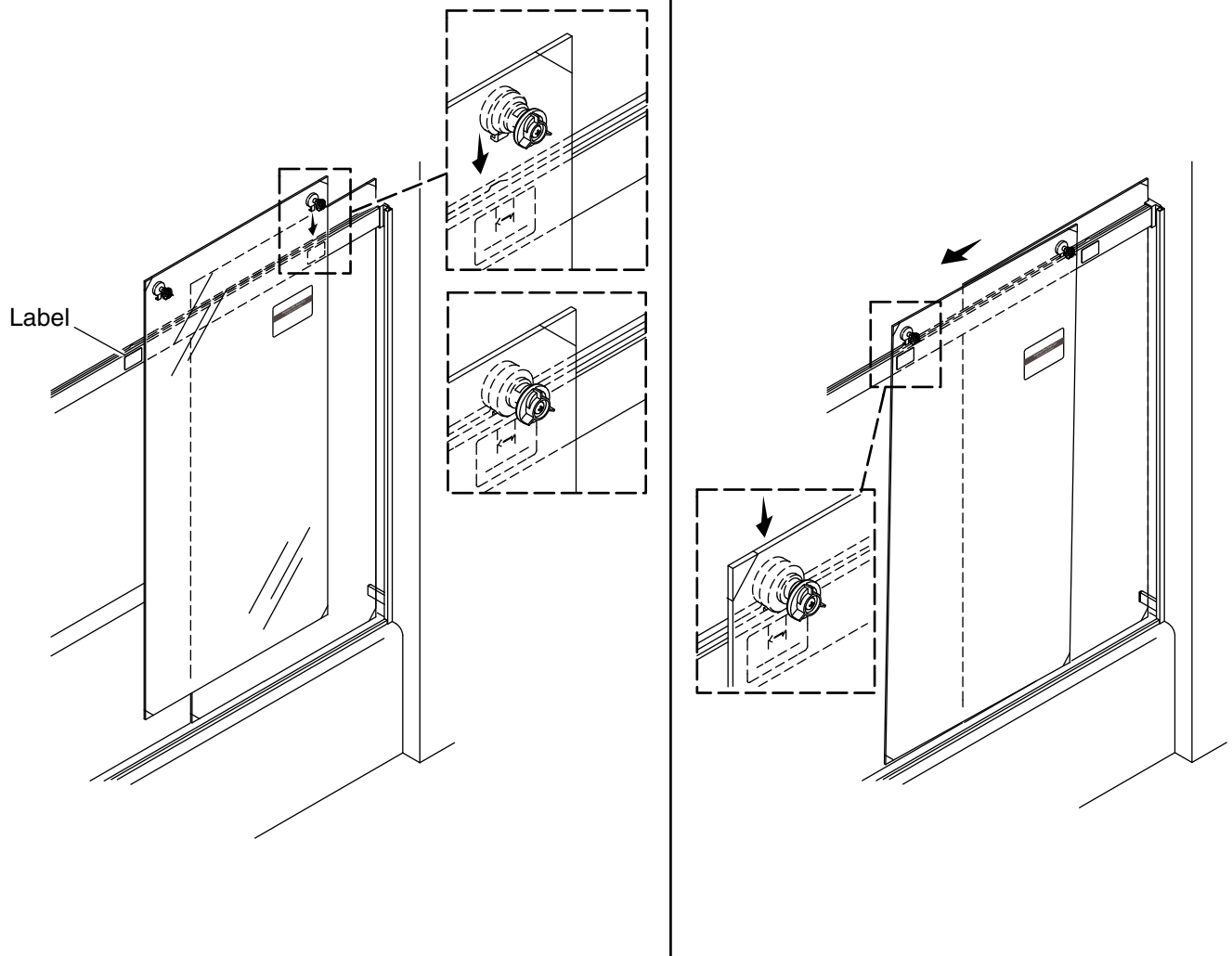
- With help, move the inside panel completely into the shower area.
- With help, from inside the shower, tilt the panel to position the tops of the rollers inside the header. Rest the rollers on the lower track of the header and set the panel in place.
- Ensure that the panel can roll back and forth smoothly. If necessary, adjust the rollers according to the instructions in the "Adjust the Rollers" section.



20. Assemble the Outside Panel

NOTICE: The outside panel roller mounting holes are 2-1/4" (57 mm) below the top of the panel.

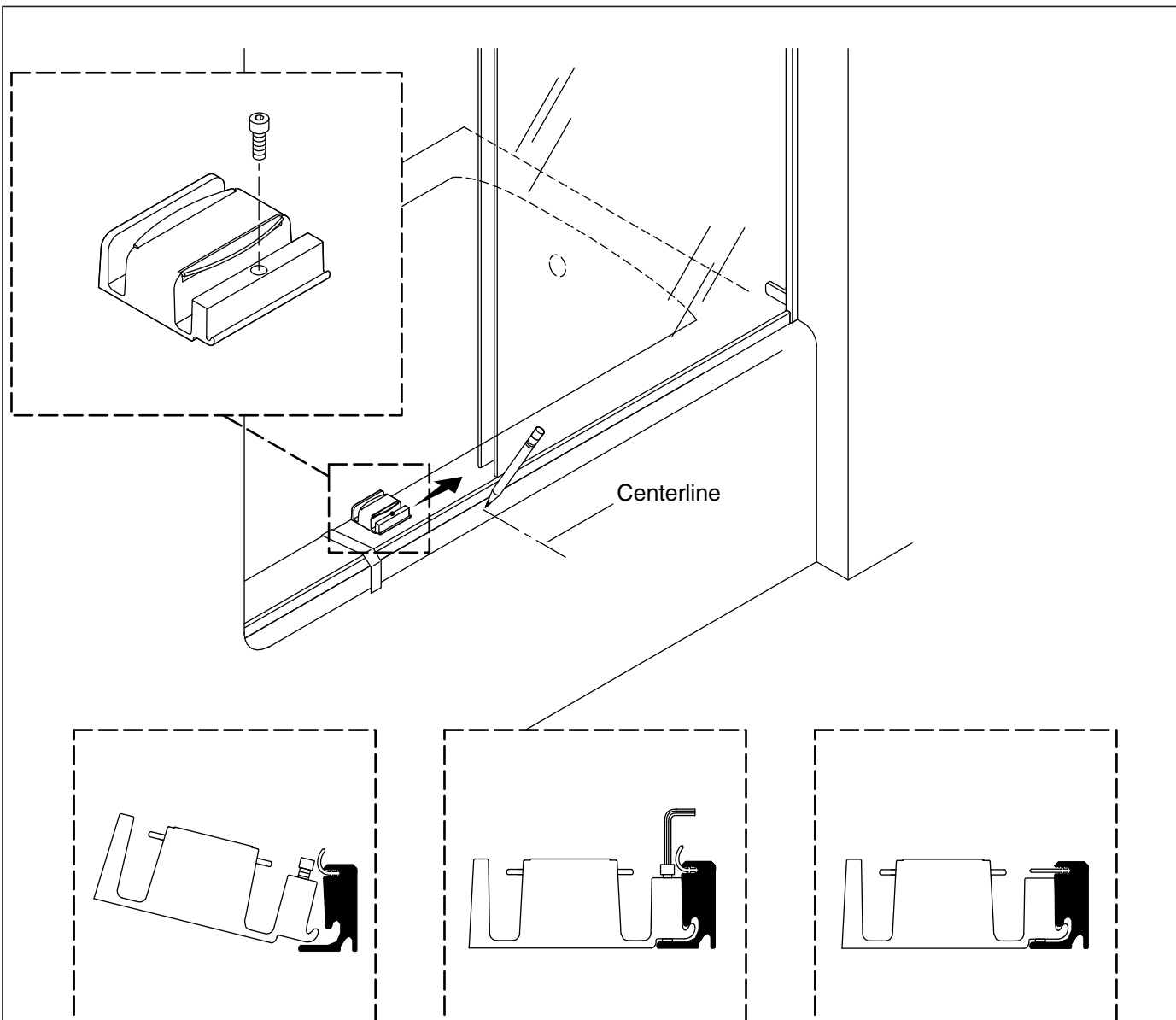
- Position the roller on the opposite side of the panel as the label.
- Install the outside rollers with the tab on the clamp on top.
- Secure each roller with a #10-24 x 1-1/4" screw.
- Hold the clip downward as the screw is tightened.
- Using a hand screwdriver only, tighten the screws **securely** until the clip cannot be rotated by hand.



21. Install the Outside Panel

NOTICE: Locate the notches on the header, which are aligned with the "Panel Installation Area" labels.

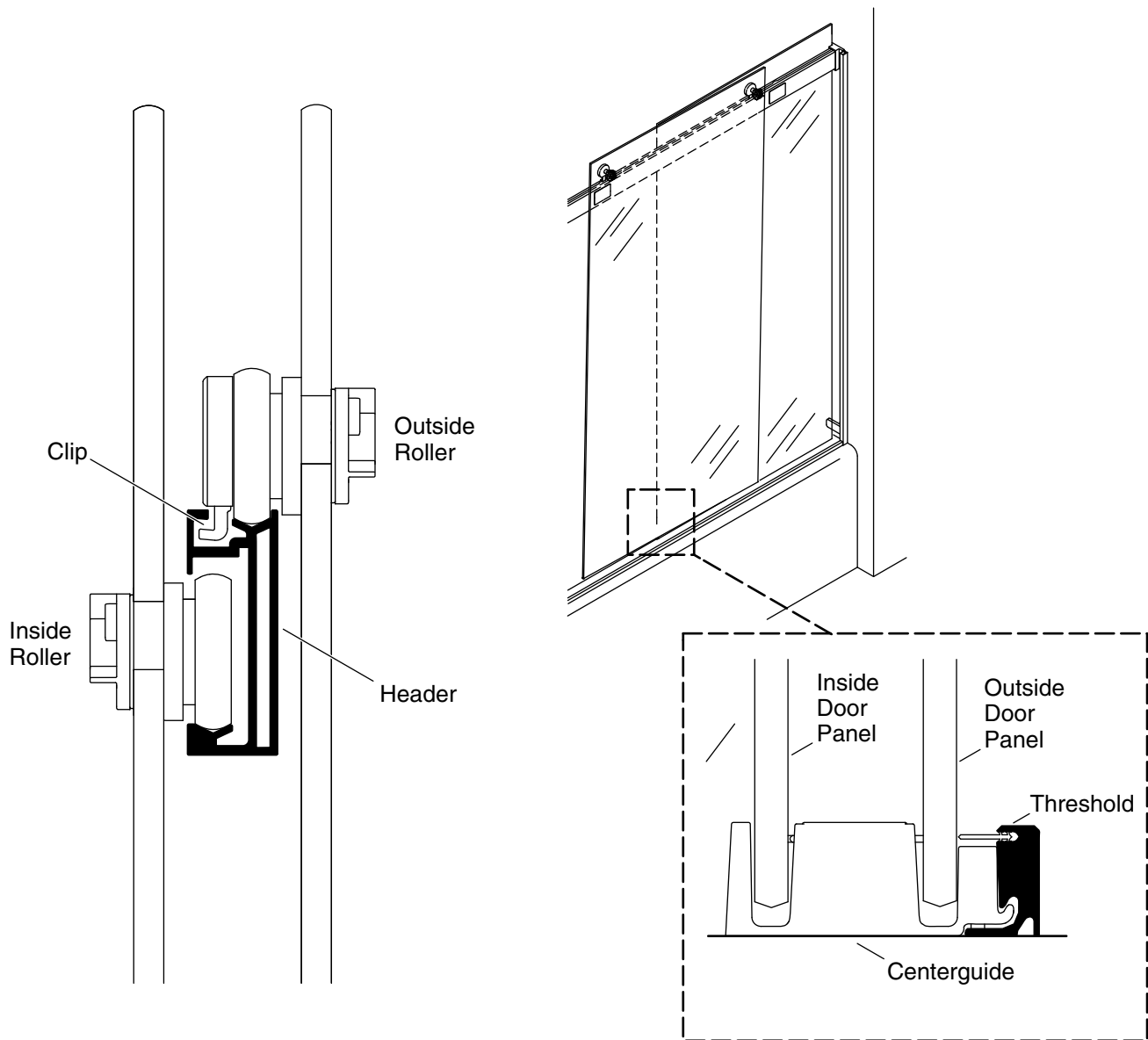
- With help, from outside the shower, lift the panel, align one roller clip with a notch, and set the roller on the roller track.
- Lift the opposite end of the panel so the second roller is above the header. Slide the panel to align the second roller clip with the second notch. Set the roller onto the roller track.



22. Install the Centerguide

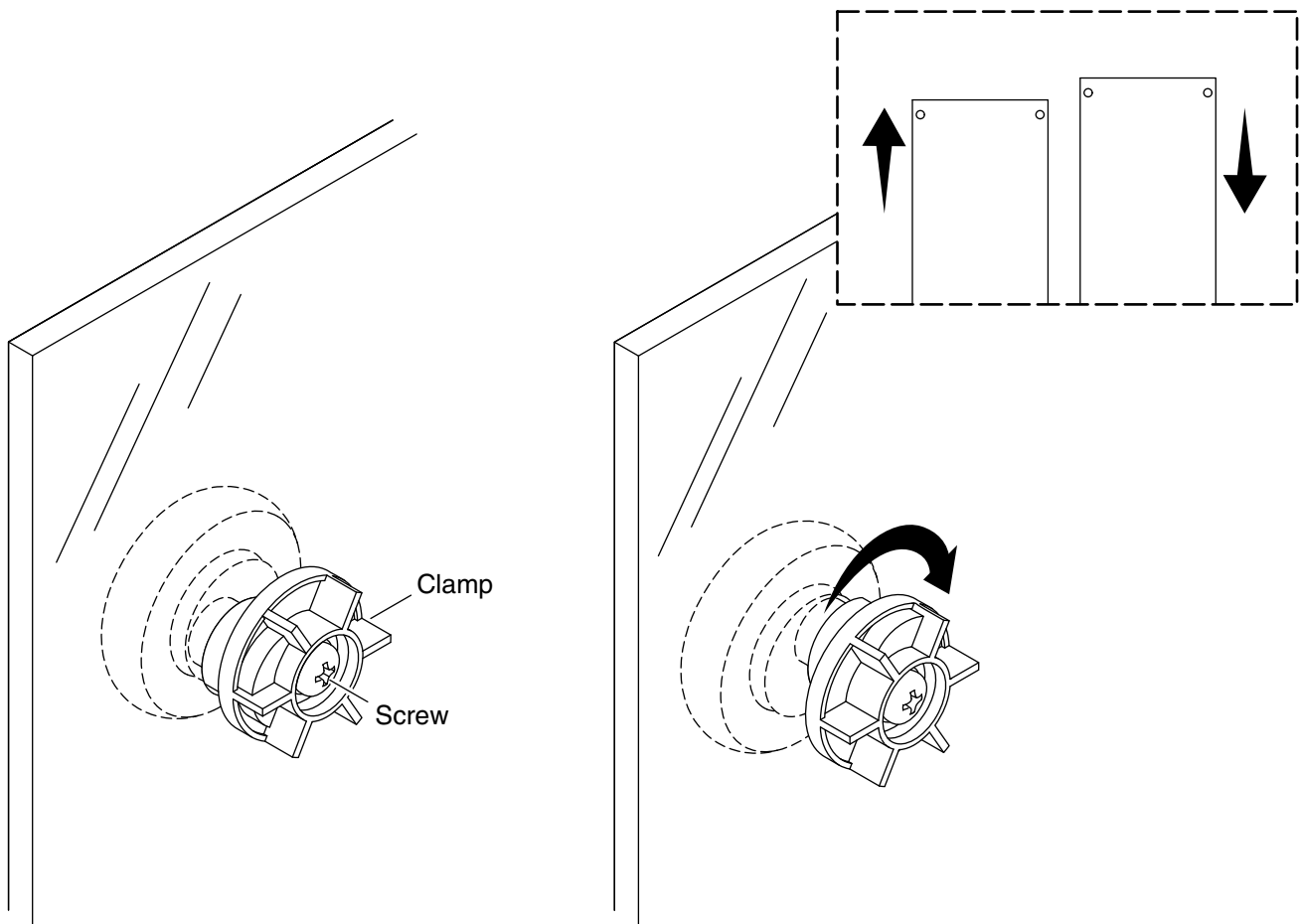
IMPORTANT! The centerguide must be fully seated behind the threshold lip as shown.

- Slide both door panels to one end of the shower.
- Thread the screw partially into the centerguide hole. Ensure the end of the screw does not protrude from the bottom of the centerguide.
- Measure and mark the centerline of the threshold on the outside of the shower base/bath ledge.
- Rotate the centerguide into place in the threshold groove as shown..
- Slide the centerguide down the threshold until the screw aligns with the centerline mark.
- Slide the door panels into the centerguide channels.
- Lift the threshold seal to access the screw. Handtighten the screw with a 5/32" hex wrench, then tighten an additional one half turn.



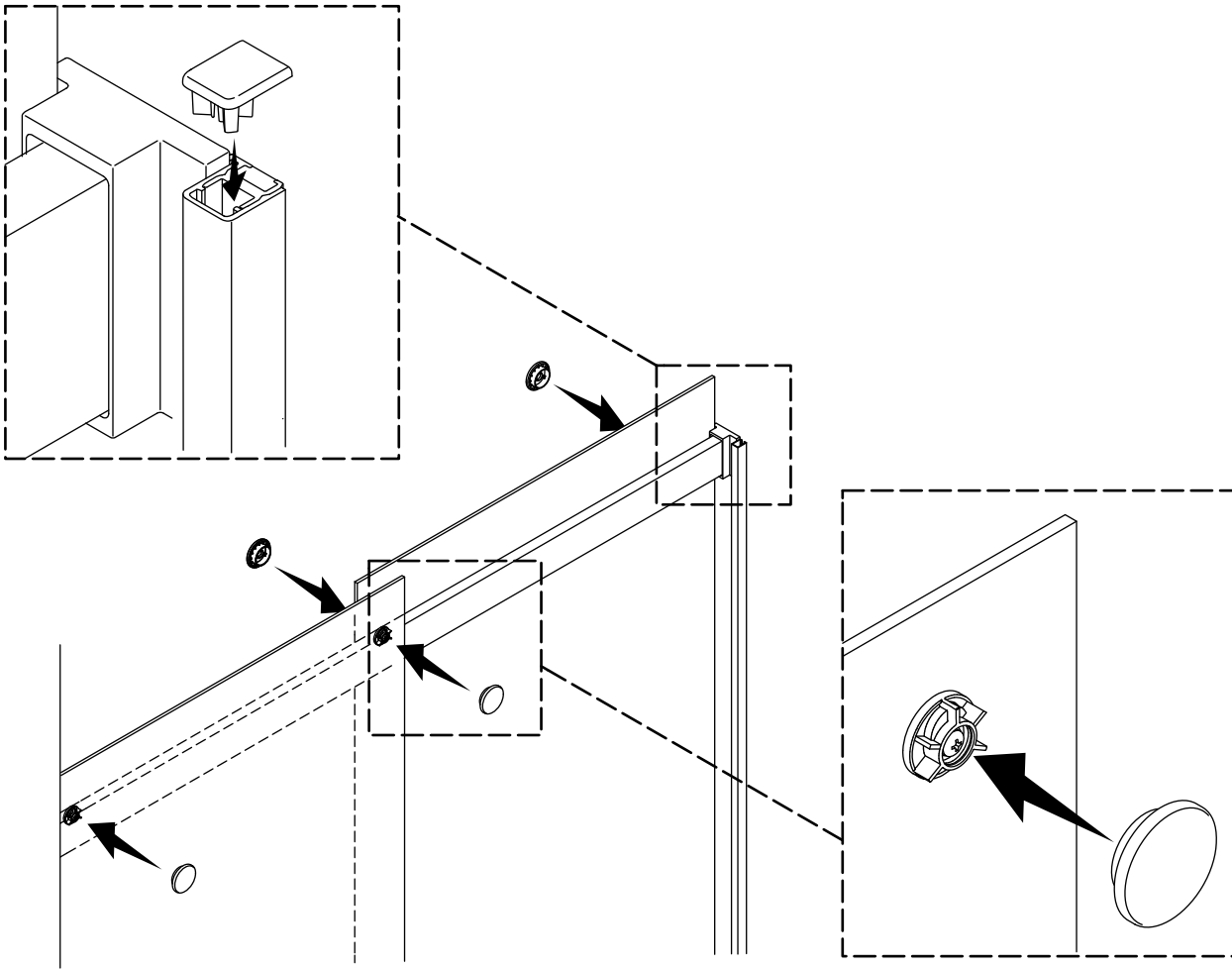
23. Confirm Correct Installation

- Confirm all rollers are engaged in the header tracks.
- The tops of the inside rollers should be inside the header.
- The clips on the outside rollers should be engaged inside the top edge of the header. They should not be visible.
- The bottoms of the door panels must be engaged in the centerguide channels.
- The centerguide must be securely attached to the threshold.



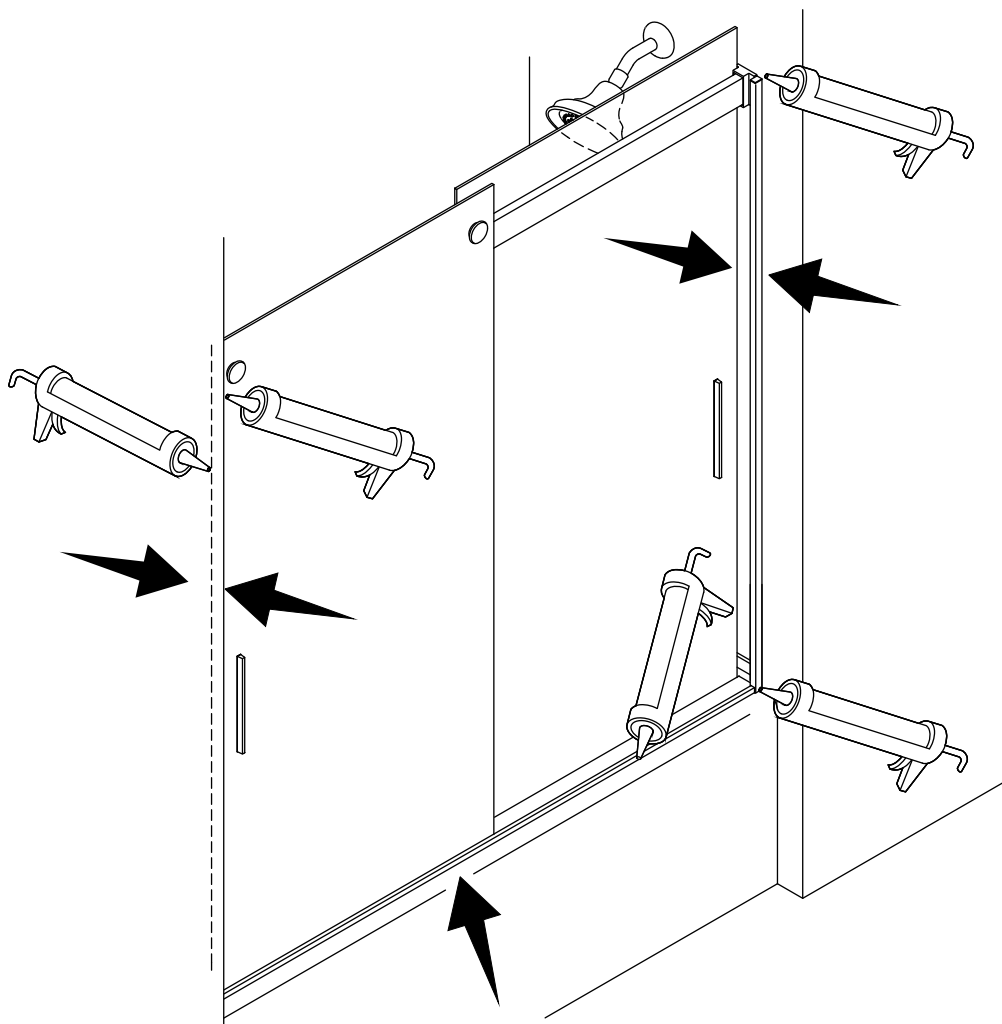
24. Adjust the Rollers

- The rollers may require adjustment if a panel does not move, makes a scraping sound when moved, or if an upper or lower bumper does not make contact when closed.
- Adjust the alignment of each end of the panel by loosening the screws and turning the adjustment clamp.
- When adjusting the outside panel, hold the clip cover straight while securely tightening the screws so the clip does not scrape in its track.
- Repeat until the door operates smoothly and aligns evenly with the shower walls.
- Confirm the clips are still oriented correctly (see the "Confirm Correct Installation" section). **Securely** tighten the screws.



25. Install the Caps

- Snap a cap into place on each of the four rollers.
- Press a cap into the top of each wall jamb.



26. Apply 100% Silicone Sealant

- Install the towel bar or handle using the separate instructions provided.
- Apply 100% silicone sealant along the wall jambs inside and outside the shower/bath, and along the outside edge of the threshold.

Troubleshooting

This troubleshooting guide is for general aid only. For service and installation issues or concerns, call 1-800-4-KOHLER.

Troubleshooting Table

Symptoms	Probable Cause	Recommended Action
1. The door is noisy when opened or closed.	<p>A. An outer roller clip is not pointed straight down and is scraping inside the header.</p> <p>B. An outer roller is not tight, causing the clip to scrape inside the header.</p> <p>C. Door panels are too low, causing them to scrape on the base of the centerguide or on the shower base/bath ledge.</p> <p>D. Rollers have worn and are noisy.</p>	<p>A. Loosen the outer roller screw, rotate the clip so that it points straight down and is engaged in the header, and securely tighten the roller screw.</p> <p>B. Tighten the outer roller screws, ensuring that the clips point straight down.</p> <p>C. Adjust the rollers to raise the door panels so they no longer scrape. See the "Adjust the Rollers" section.</p> <p>D. Replace the rollers.</p>
2. The door is hard to move or does not open.	<p>A. A roller clip is not pointed straight down and is scraping inside the header.</p> <p>B. Door panels are too low, causing them to scrape on the base of the centerguide or on the shower base/bath ledge.</p> <p>C. The threshold seal is not fully seated, causing the door panel to rub.</p>	<p>A. Loosen the roller screw, rotate the clip so that it points straight down and engaged in the header, and securely tighten roller screw.</p> <p>B. Adjust the rollers to raise the door panels so they no longer scrape.</p> <p>C. Push the seal completely into the threshold.</p>
3. The door panels are free to swing in and out of the shower.	<p>A. The centerguide is not installed.</p> <p>B. The centerguide is not installed in the correct location.</p> <p>C. The door panels are not correctly installed on the centerguide.</p> <p>D. The door is the incorrect size for the shower opening.</p>	<p>A. Install the centerguide according to the instructions.</p> <p>B. Install the centerguide on the center of the shower base/bath ledge.</p> <p>C. The door panels should ride in the centerguide channels.</p> <p>D. Obtain the correct product for your shower opening.</p>
4. The centerguide is loose.	<p>A. The centerguide screw is not fully tightened.</p> <p>B. The centerguide is not correctly installed on the shower base/bath ledge.</p>	<p>A. Using the provided hex wrench, tighten the screw until the centerguide cannot be moved by hand.</p> <p>B. Verify that the centerguide hook is engaged in the threshold.</p>
5. Water leaks.	<p>A. Water leaks under the threshold.</p> <p>B. Water leaks under a door panel.</p>	<p>A. Apply 100% silicone sealant to the outside edge of the threshold. See silicone sealant manufacturer's instructions before using shower.</p> <p>B. Adjust the rollers so the bottoms of the door panels are closer to the shower base/bath ledge. See the "Adjust the Rollers" section.</p>

Troubleshooting (cont.)

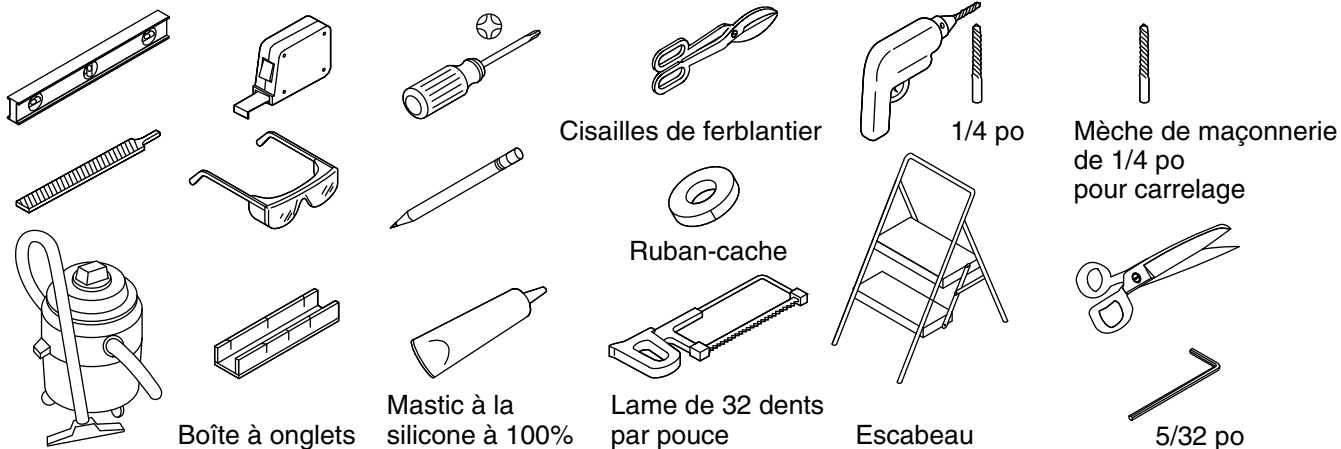
Troubleshooting Table

Symptoms	Probable Cause	Recommended Action
	<p>C. Water leaks under a door panel.</p> <p>D. Water leaks between door panels.</p> <p>E. Water leaks between a door panel and a wall jamb.</p> <p>F. Water leaks between a door panel and a wall jamb.</p> <p>G. Water leaks behind wall jamb.</p>	<p>C. Remove wall jamb covers and make sure that cleats are installed correctly. If there is a gap between the wall jamb and the cleat, the door panels could be installed too high.</p> <p>D. When showering, make sure that the inside panel is closest to the showerhead.</p> <p>E. Adjust the rollers so that the bumpers contact the wall and the door panel evenly. See the "Adjust the Rollers" section.</p> <p>F. Order and install the optional seal kit.</p> <p>G. Apply 100% silicone sealant to the outside and inside edges of the wall jamb. See silicone sealant manufacturer's instructions before using shower.</p>
<p>6. Handle is not securely installed.</p>	<p>A. Door panel not properly cleaned before handle installed or handle not pressed down firmly during installation.</p>	<p>A. Clean door panel and install new handle.</p>







Guide d'installation

Porte coulissante de douche et de baignoire

Outils et matériel



Avant de commencer

-  **AVERTISSEMENT: Risque de blessures graves.** Des dommages avant l'installation peuvent entraîner des éclatements de verre. Inspecter le verre et toutes les pièces pour y rechercher des dommages avant l'installation.
-  **AVERTISSEMENT: Risque de blessures graves.** Une installation incorrecte peut entraîner des éclatements de verre. Suivre toutes les instructions d'installation.
-  **AVERTISSEMENT: Risque de blessures graves.** Ne pas couper le verre trempé. Le verre trempé éclate lorsqu'il est coupé.
-  **AVERTISSEMENT: Risque de blessures graves.** La porte de la douche et les panneaux latéraux peuvent éclater. Inspecter régulièrement le verre et toutes les pièces pour y rechercher des dommages, ou des pièces manquantes ou desserrées.
-  **AVERTISSEMENT: Risque de blessures graves.** Toujours porter des lunettes de sécurité pendant la découpe et le perçage.
-  **ATTENTION: Risque de blessures.** Le verre trempé ne doit pas entrer en contact avec des surfaces dures, car il risquerait de se briser. Ne pas toucher le bord du panneau de verre trempé avec des outils ou d'autres objets durs.

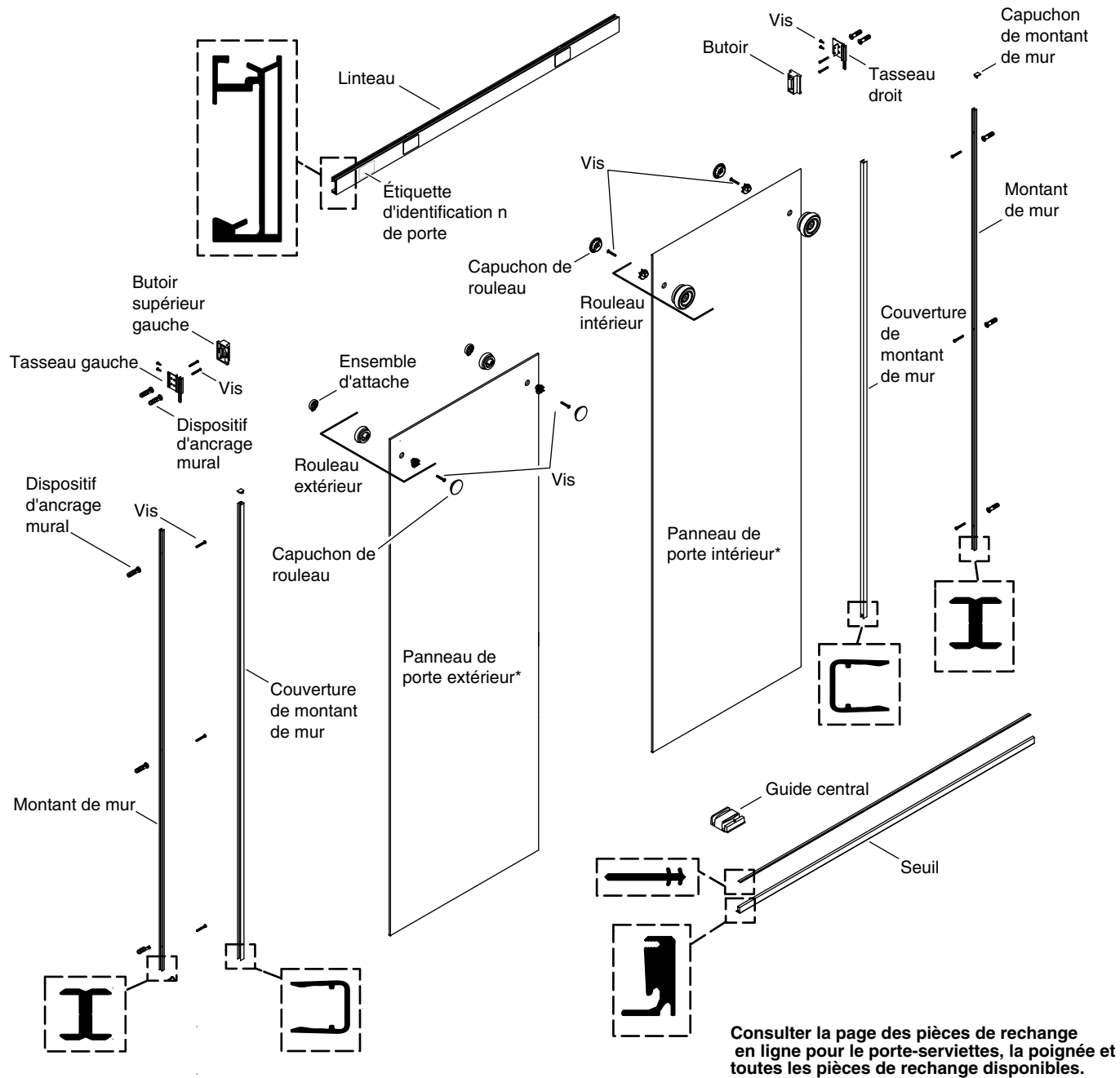
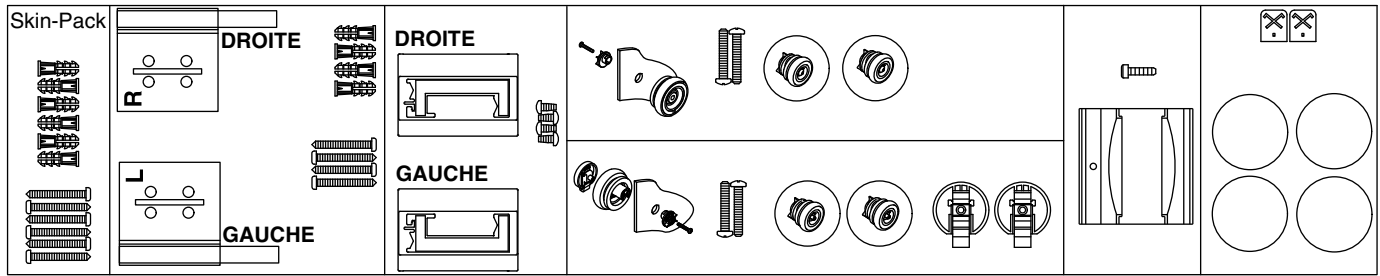
IMPORTANT! Laisser ce manuel pour l'utilisateur final. Lire ces instructions avant d'installer ou d'utiliser ce produit.

IMPORTANT! Cette porte est conçue pour s'adapter à des murs qui ont un faux aplomb de moins de 3/8 po (10 mm). Vérifier que la zone sur laquelle la porte sera fixée est comprise dans un rayon de 3/8 po (10 mm) de l'aplomb. La porte risque de ne pas fonctionner correctement si le faux aplomb du mur est supérieur à 3/8 po (10 mm).

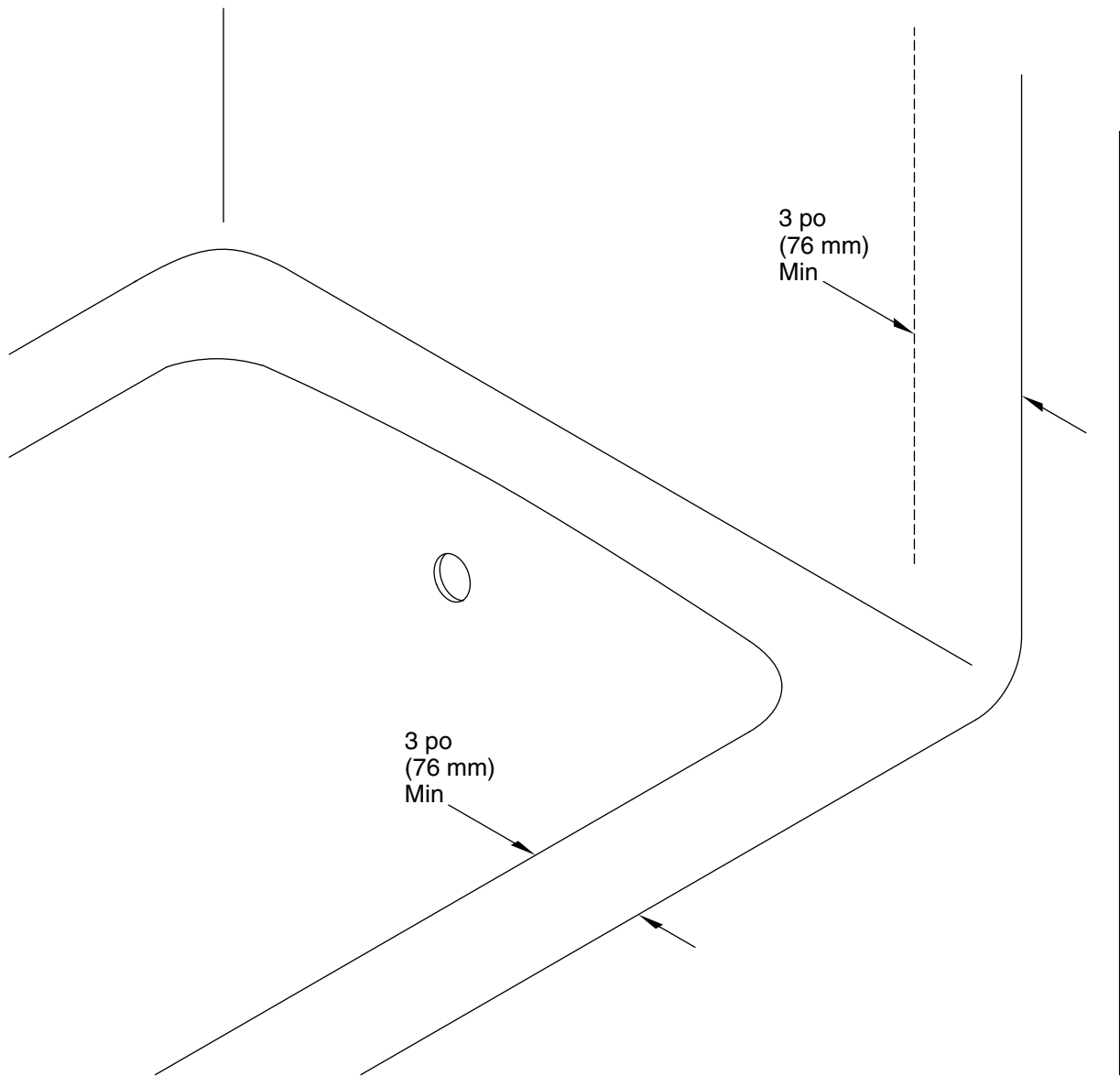
- Couvrir le drain avec du ruban adhésif pour éviter de perdre les petites pièces.
- Identifier toutes les pièces avant l'installation.

Avant de commencer (cont.)

- Identifier le panneau intérieur et le panneau extérieur en comparant la distance entre le bord supérieur du verre et l'orifice de fixation des rouleaux. Les rouleaux situés sur le panneau intérieur sont montés à un niveau inférieur de celui du panneau extérieur.
- Suivre les instructions du fabricant du mastic à la silicone en ce qui concerne l'application et le temps de prise.
- Pour regarder cette vidéo d'installation en ligne, visiter notre site us.kohler.com et rechercher le numéro du produit en question.



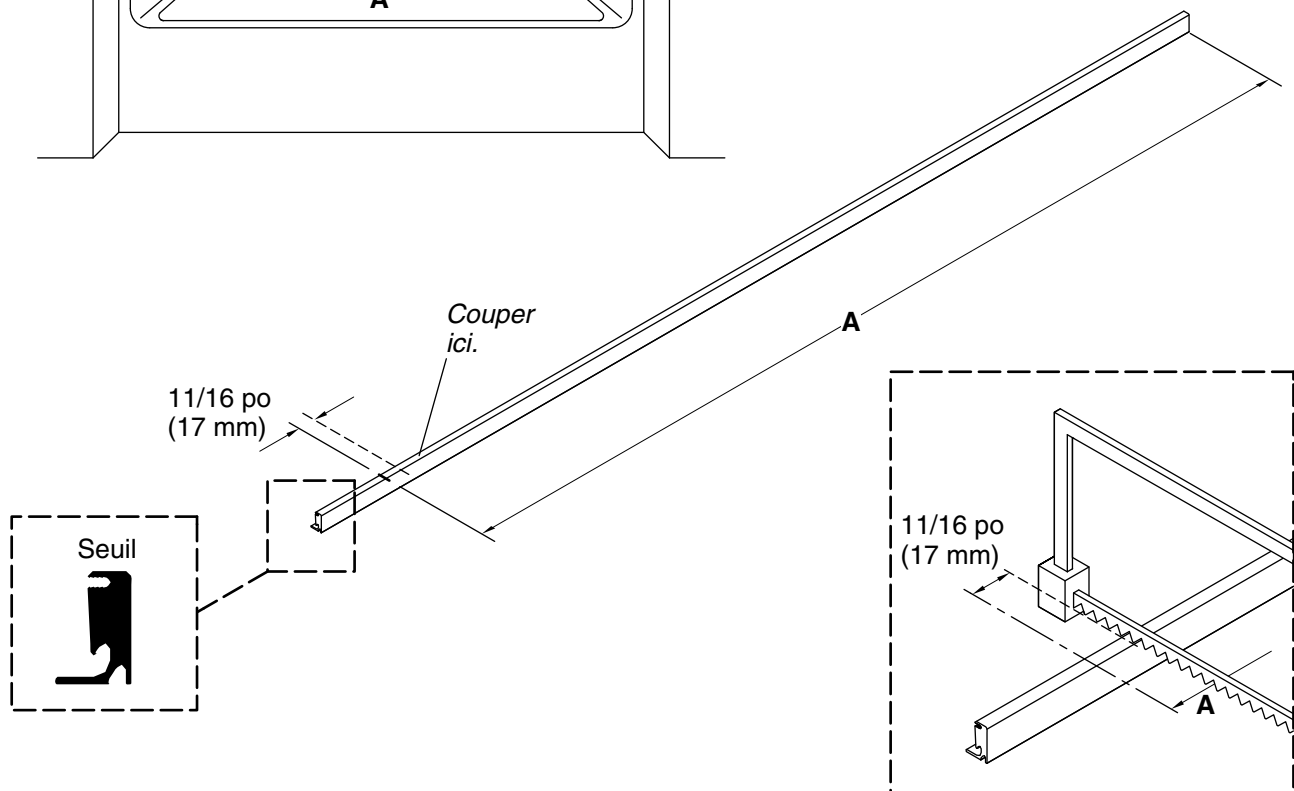
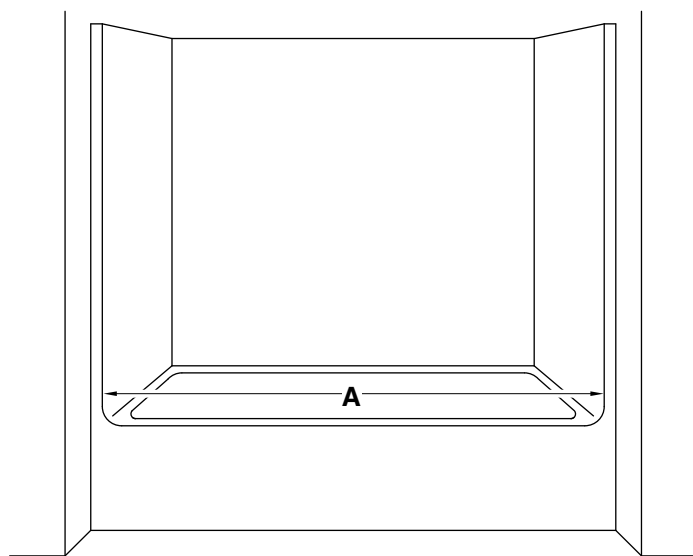
Identification des pièces



1. Vérifier la compatibilité entre le rebord et le mur

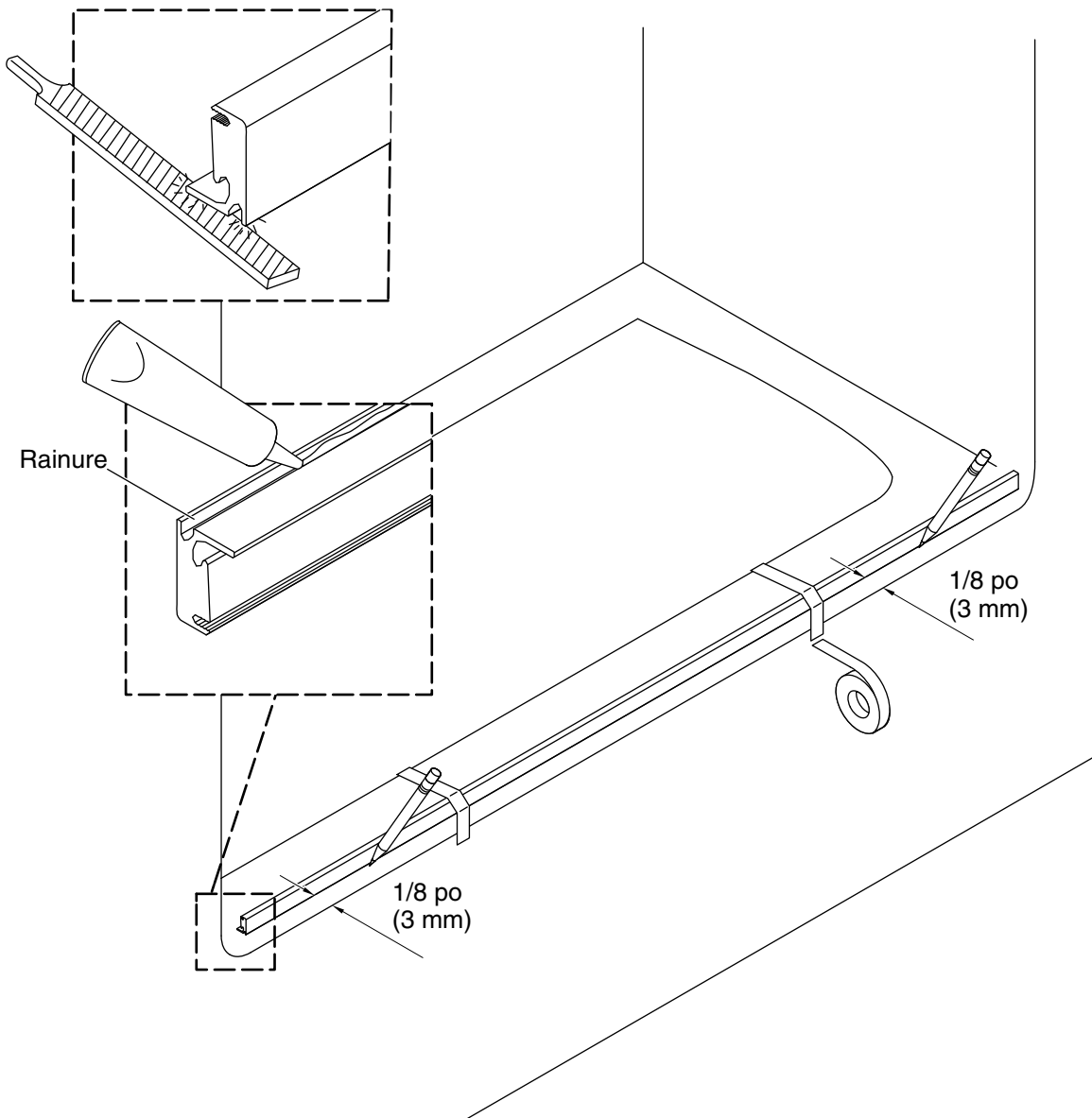
IMPORTANT! Vérifier que la base de la douche/le rebord de la baignoire et les murs sont conformes aux conditions requises suivantes. **Ne pas installer la porte** si ces conditions requises ne sont pas présentes.

- Une surface plate de 3 po (76 mm) au moins doit être présente sur la base de la douche/le rebord de la baignoire et les murs.
- Les murs doivent être compris dans un rayon de 3/8 po (10 mm) de l'aplomb.
- La base de la douche/le rebord de la baignoire doivent être compris dans un rayon de 3/8 po (10 mm) du niveau.



2. Mesurer et couper le seuil

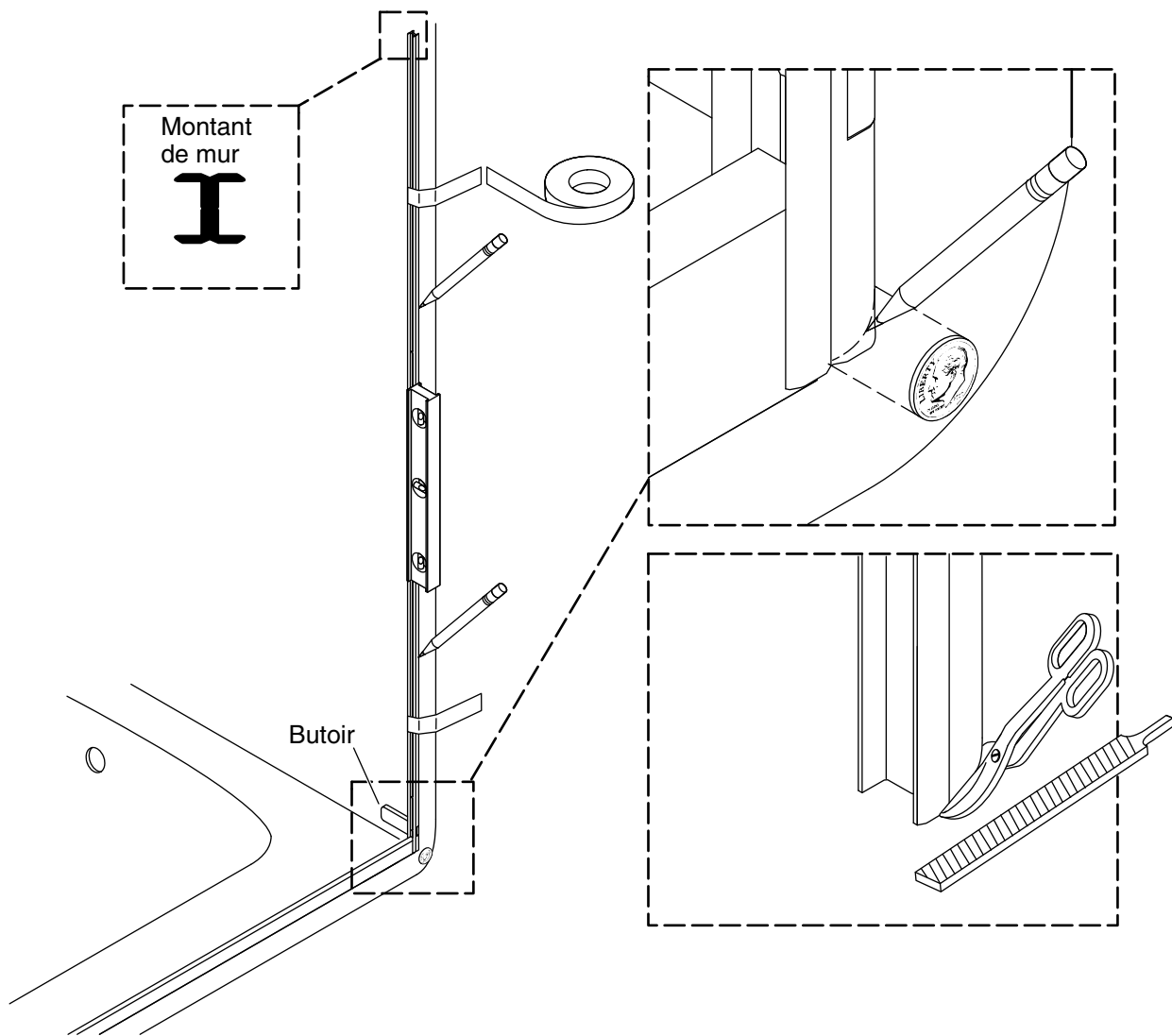
- Recouvrir le drain avec du ruban afin d'éviter de perdre les petites pièces.
- Utiliser une toile de protection pour protéger la surface de la douche.
- Mesurer la distance « A » entre les murs de la douche et la marquer sur le seuil.
- Mesurer 11/16 po (17 mm) à partir de « A » et placer un deuxième repère sur le seuil comme sur l'illustration.
- Couper le seuil au niveau du deuxième repère et limer tous les bords bruts.



3. Positionner le seuil

AVIS: Le seuil doit reposer sur une surface plate.

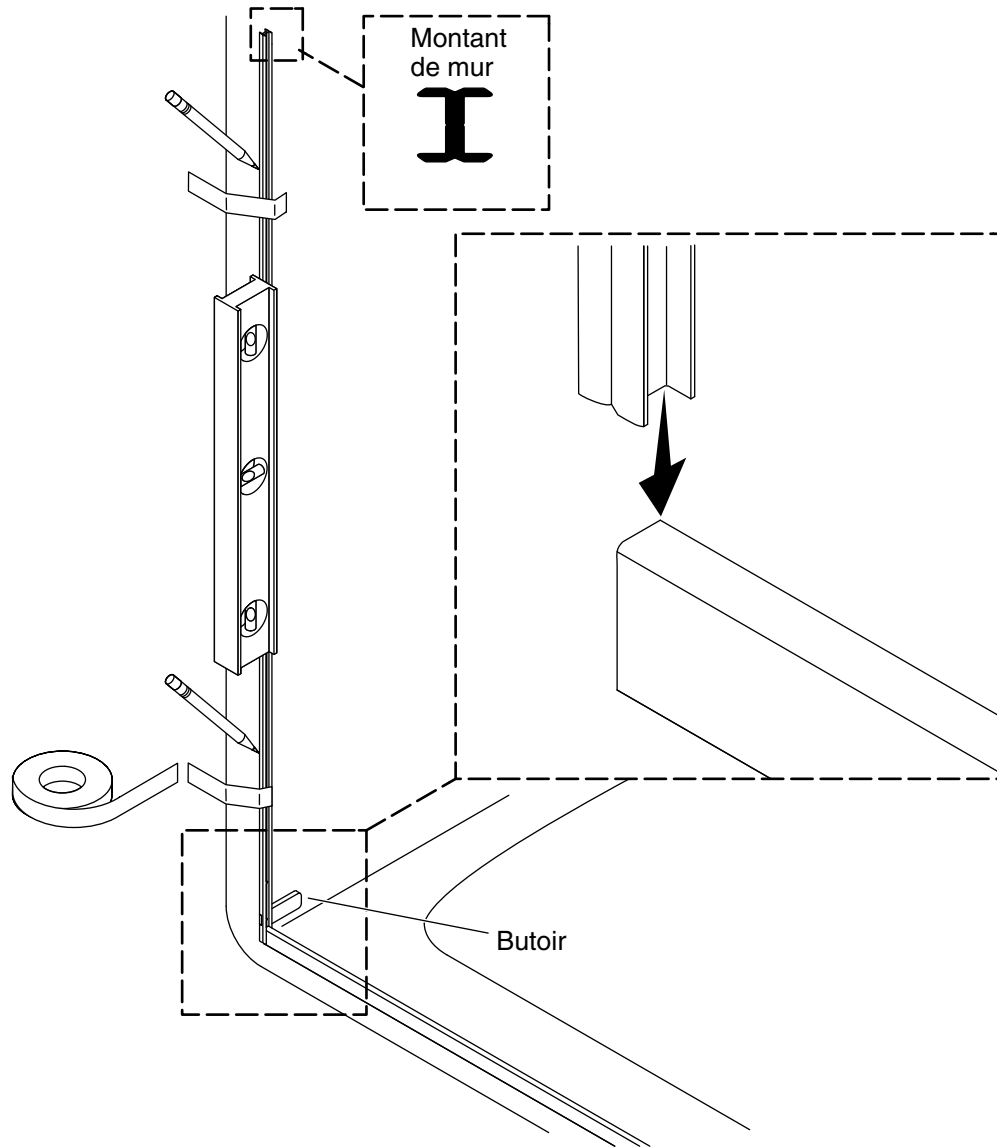
- Si nécessaire, limer les extrémités du seuil pour les adapter à l'arrondi des coins du mur de la douche.
- Aligner le seuil de manière à ce qu'il soit à une distance de 1/8 po (3 mm) du rebord de la base de la douche/de la baignoire le long de toute sa longueur et marquer son emplacement.
- Appliquer du mastic à la silicone à 100% silicone sur la rainure dans le fond du seuil.
- Fixer le seuil en place avec du ruban le long du repère, de manière à ce qu'il soit centré entre les murs.



4. Préparer le premier montant de mur

IMPORTANT! Le montant de mur doit être bien adapté contre le seuil et le mur.

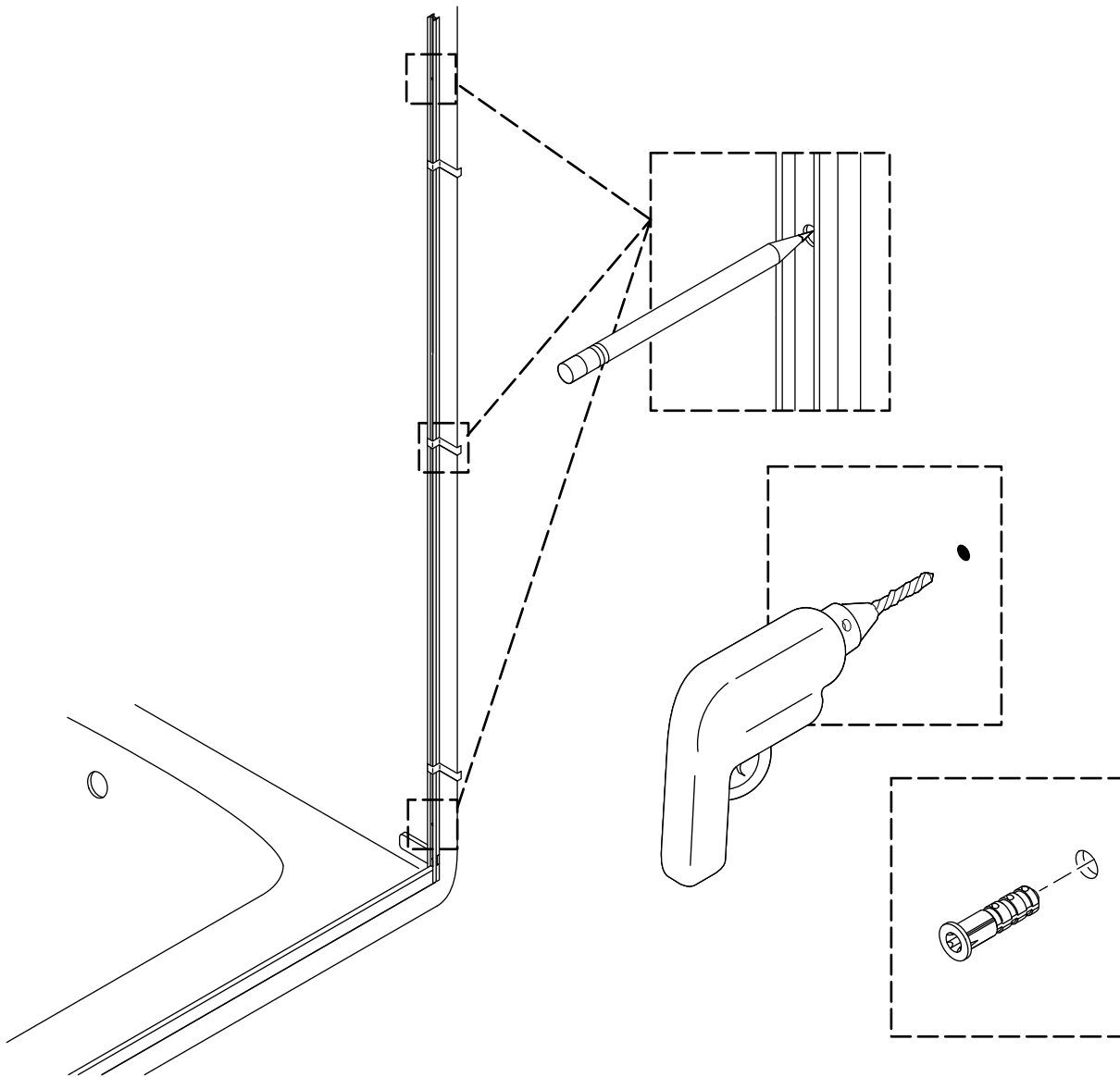
- Positionner le montant de mur sur le seuil, contre le mur, avec le butoir pointant vers la douche.
- Si nécessaire, former et limer le coin inférieur pour qu'il s'adapte contre le mur de la douche. Utiliser une pièce de monnaie pour faire correspondre et transférer le rayon de bec.
- Mettre le montant du mur d'aplomb.
- Fixer le montant de mur de manière sécurisée au ruban adhésif et marquer son emplacement.



5. Positionner le deuxième montant de mur

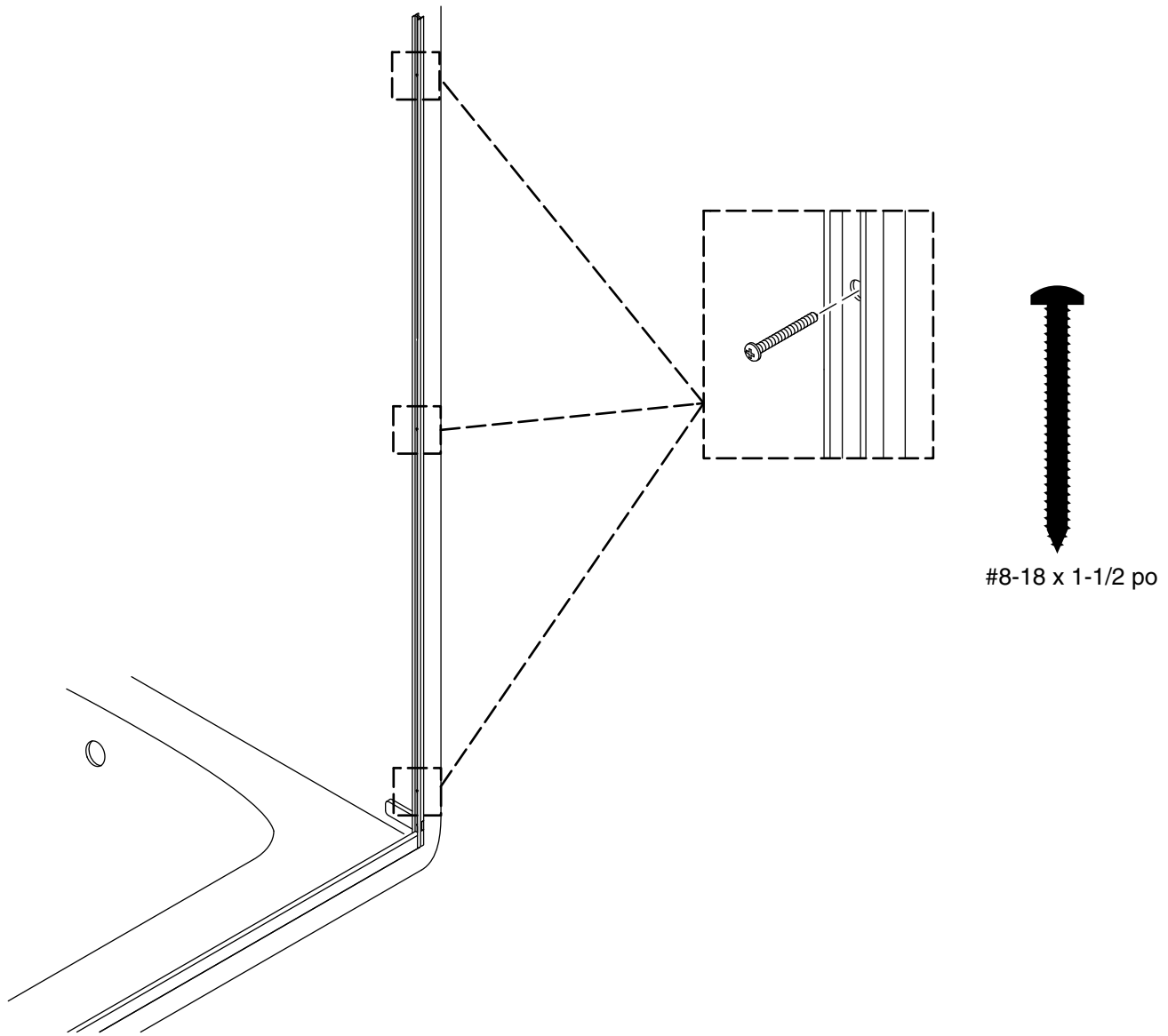
IMPORTANT! Le montant de mur doit être bien adapté contre le seuil et le mur.

- Avec le butoir pointé vers la douche, positionner le deuxième montant de mur contre le mur et pardessus le mur opposé de la douche.
- Si nécessaire, former et limer le coin inférieur pour qu'il s'adapte contre le mur de la douche. Utiliser une pièce de monnaie pour faire correspondre et transférer le rayon de bec.
- Mettre le montant du mur d'aplomb.
- Fixer le montant de mur de manière sécurisée au ruban adhésif et marquer son emplacement.
- S'assurer que le seuil est toujours parallèle avec l'avant du rebord de la base de la douche/de la baignoire.



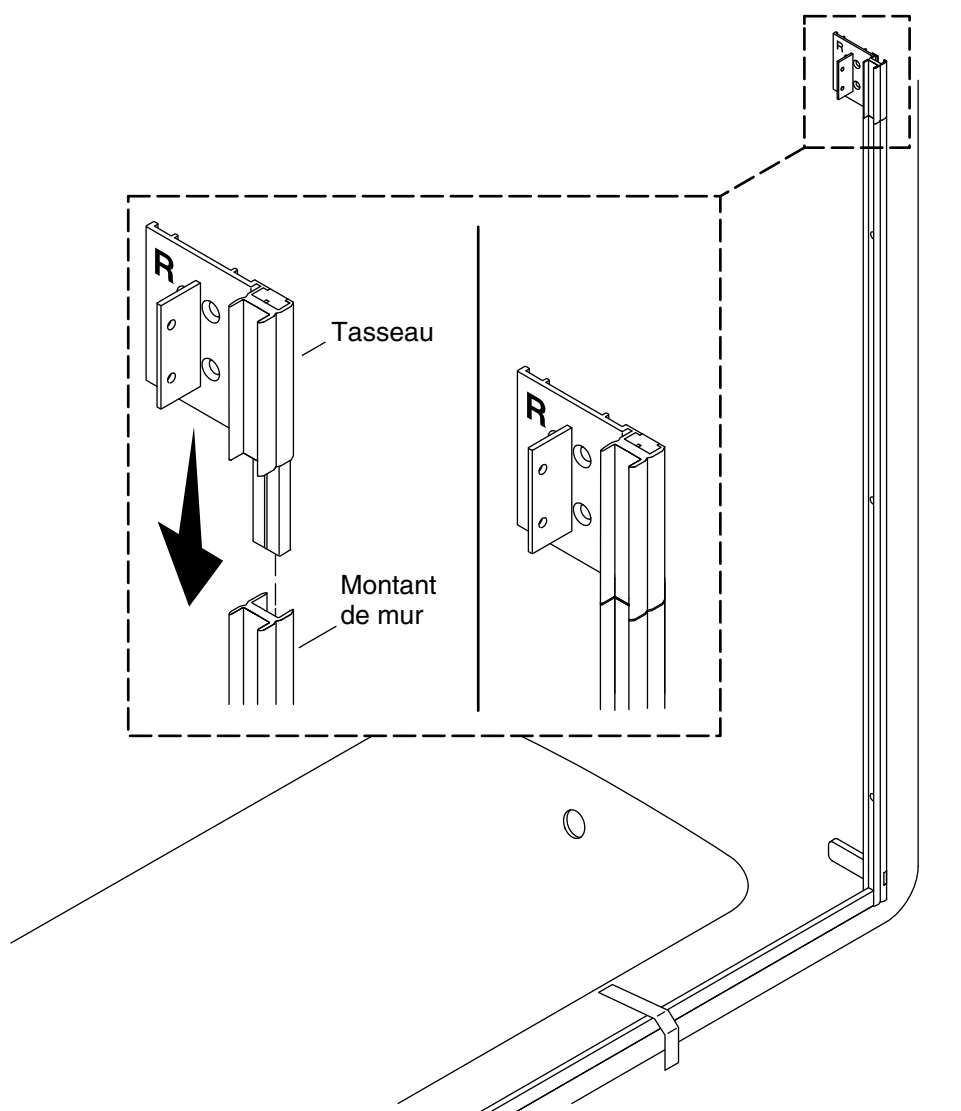
6. Marquer l'emplacement des montants de mur

- Marquer les trois emplacements des trous de la cheville d'ancrage sur chaque montant de mur avec un crayon.
- Retirer les deux montants de mur et les mettre de côté.
- Percer un trou de 1/4 po à chaque emplacement marqué. Utiliser une mèche à maçonnerie pour les murs à carrelage.
- Installer les chevilles d'ancrage de mur fournies. Si nécessaire, taper doucement sur les chevilles d'ancrage jusqu'à ce qu'elles soient à ras du mur.
- Bien nettoyer la base de la douche et les murs.



7. Installer les montants de mur

- Remettre le montant de mur en place, en l'alignant avec les trous des chevilles d'ancrage.
- Fixer le montant de mur avec trois vis #8-18 x 1-1/2 po.
- Répéter pour le deuxième montant de mur.



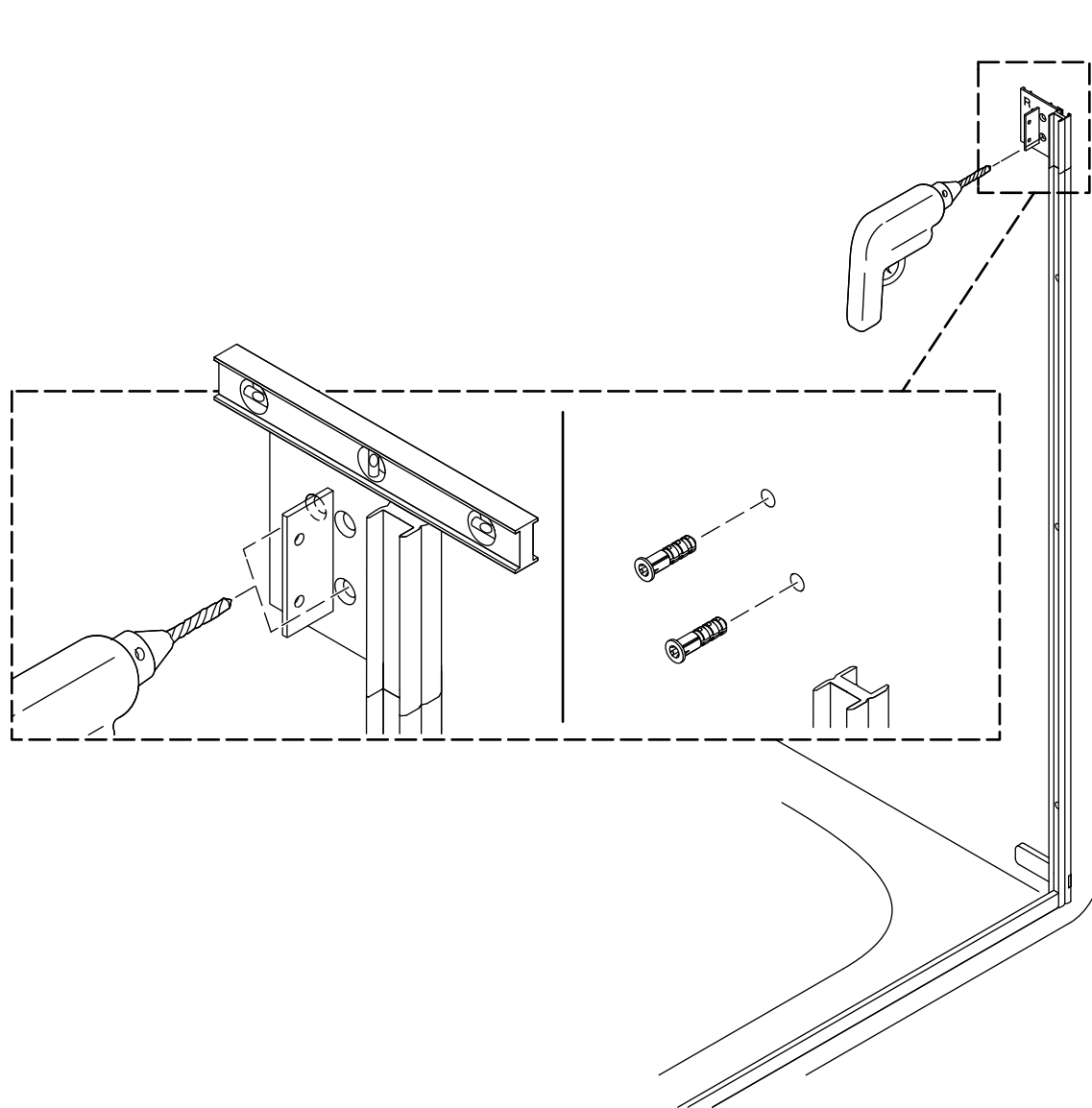
8. Positionner les tasseaux

AVIS: Il y a un tasseau gauche (« L ») et un tasseau droit (« R »). Les positionner de manière à ce qu'ils se trouvent à l'intérieur de la zone de la douche.

- Glisser le tasseau dans le canal entre le montant de mur et le mur.

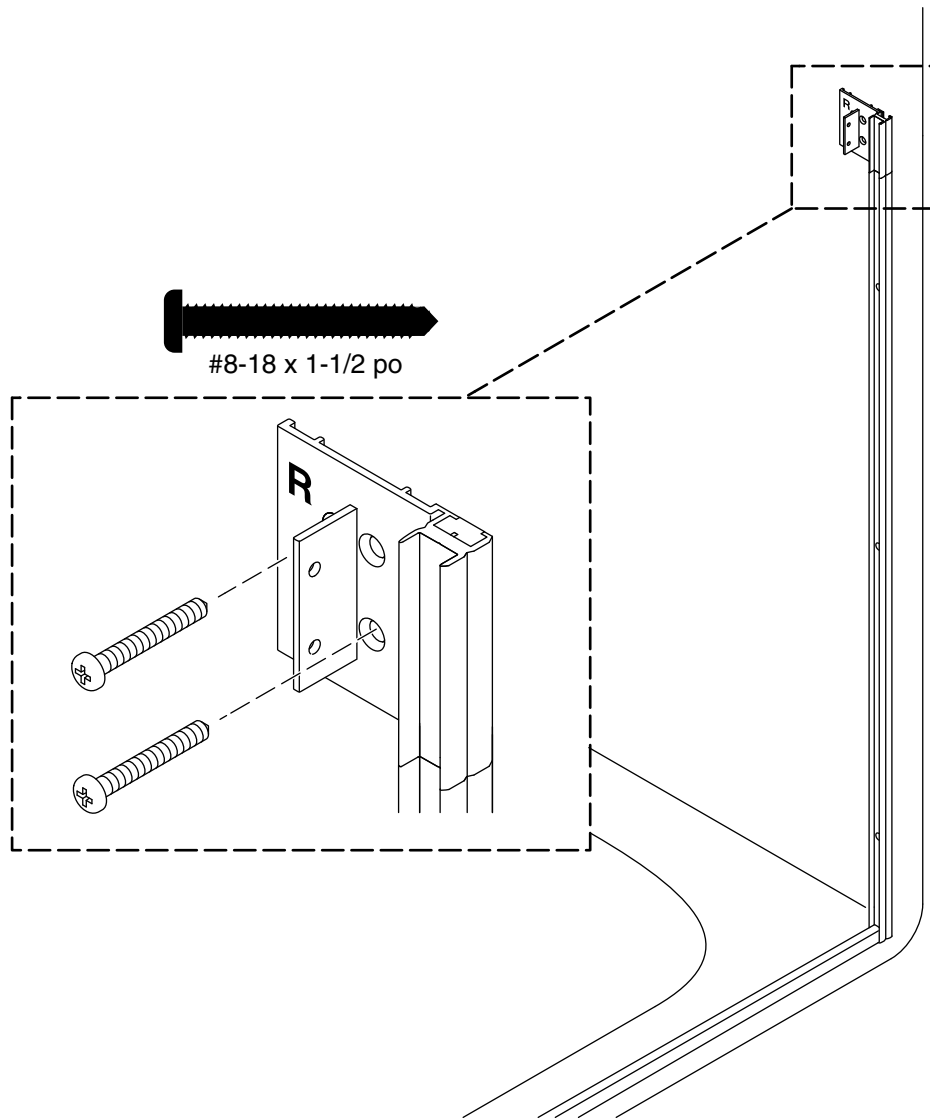
AVIS: Le tasseau doit être de niveau avec le mur et à plat contre celui-ci.

- S'assurer que le tasseau est assis à ras contre le dessus du montant de mur.
- Répéter pour le deuxième tasseau.



9. Installer les chevilles d'ancrage au mur du tasseur

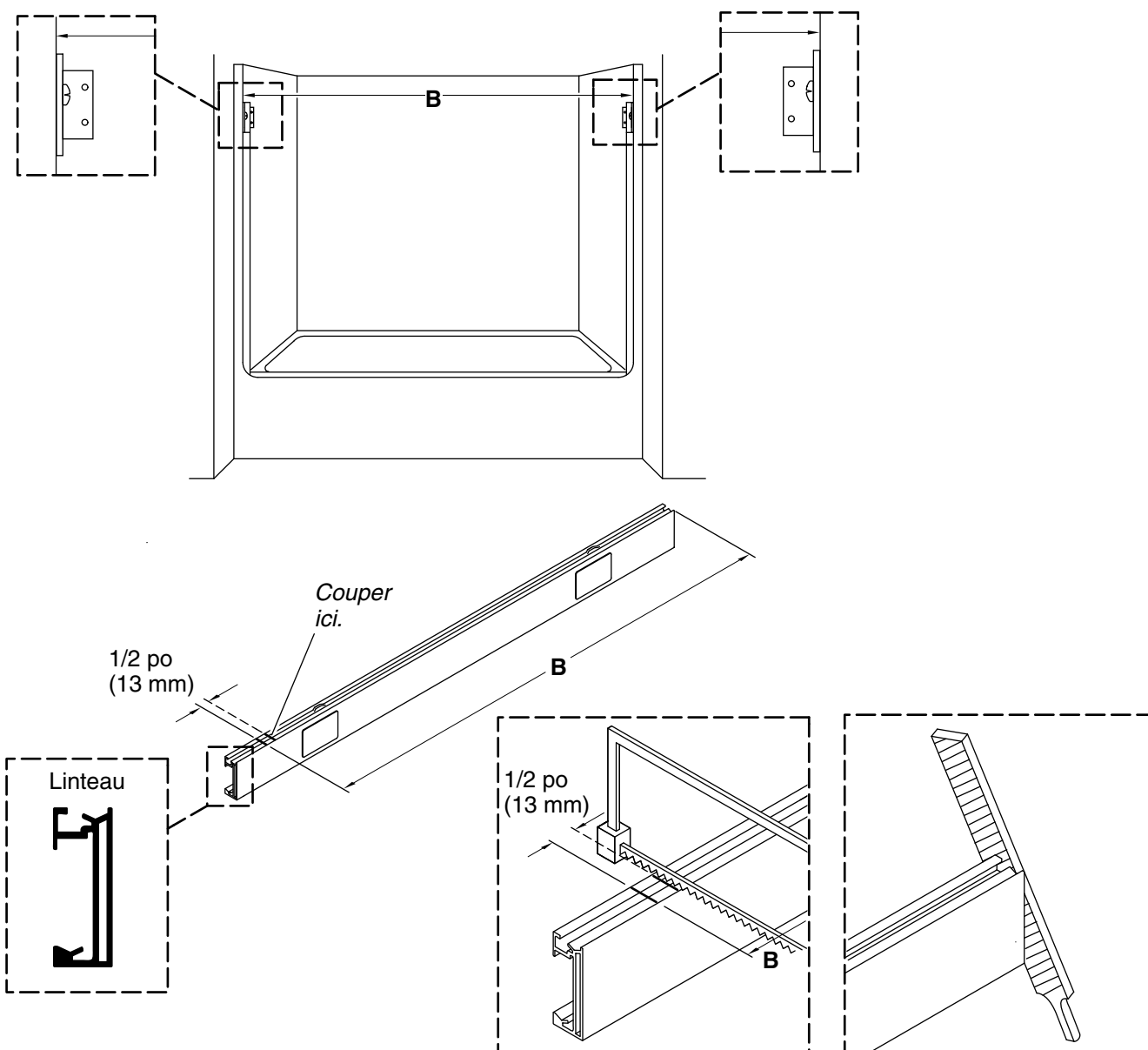
- Tenir le tasseur de niveau et fermement en place et l'utiliser comme guide pour percer deux trous de 1/4 po opposés à la diagonale dans le mur. Par exemple, dessus de gauche et dessous de droite.
- Retirer le tasseur et installer les chevilles d'ancrage fournies. Si nécessaire, taper doucement sur les chevilles d'ancrage pour les asseoir entièrement contre le mur.
- Répéter pour le deuxième tasseur.
- Bien nettoyer la base de la douche/le fond de la baignoire, le rebord et le mur.



10. Fixer les tasseaux en place

- Fixer chaque tasseau au mur en utilisant deux vis #8-18 x 1-1/2 po.
- S'assurer que les tasseaux sont de niveau. Desserrer les vis et ajuster la position des tasseaux le cas échéant.

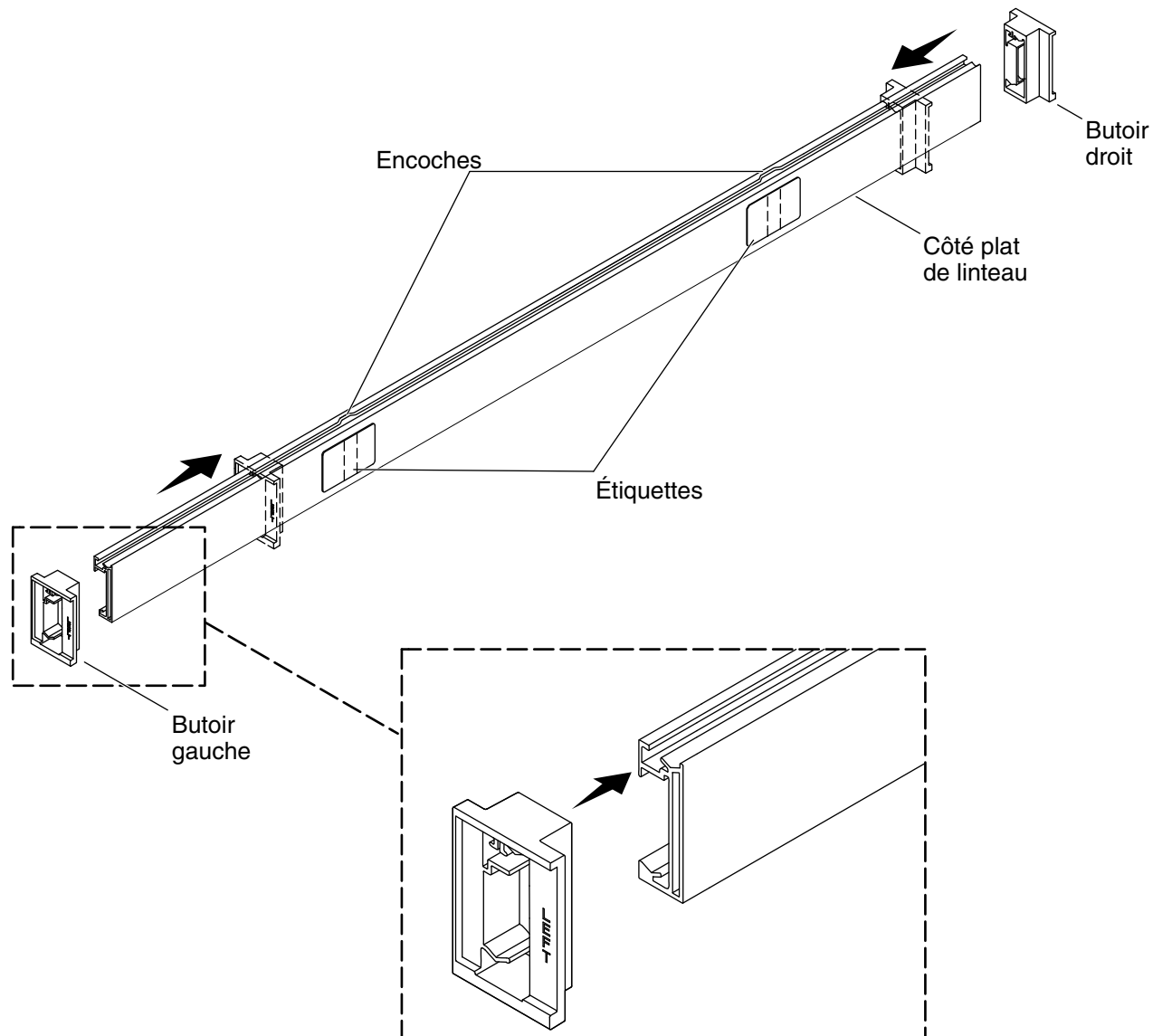
AVIS: Le deuxième ensemble de trous peut être utilisé si le tasseau n'est pas de niveau. Répéter la section « Installer les chevilles d'ancrage au mur du tasseau » au besoin.



11. Mesurer et couper le linteau

IMPORTANT! Vérifier les mesures avant de couper. **Ne pas couper le linteau trop court.**

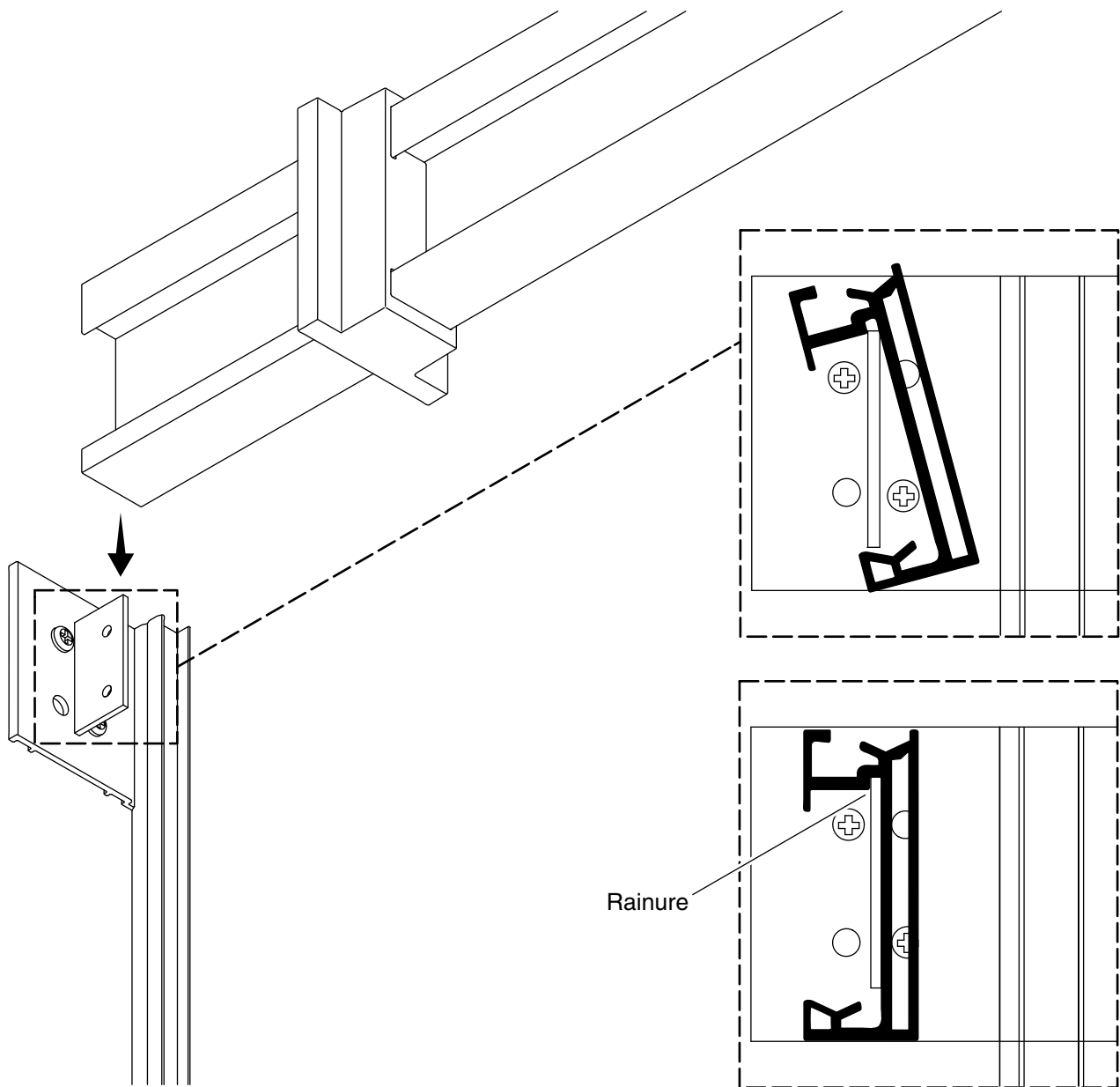
- Mesurer la distance « B » entre les murs et la marquer sur le linteau.
- Mesurer 1/2 po (13 mm) à partir de « B » et placer un deuxième repère sur le linteau comme sur l'illustration.
- Couper le linteau au niveau du deuxième repère.
- Limer tous les bords bruts et éliminer les débris des rails des rouleaux.



12. Installer les butoirs sur le linteau

AVIS: Les mots « LEFT » (gauche) et « RIGHT » (droite) sont moulés dans les butoirs.

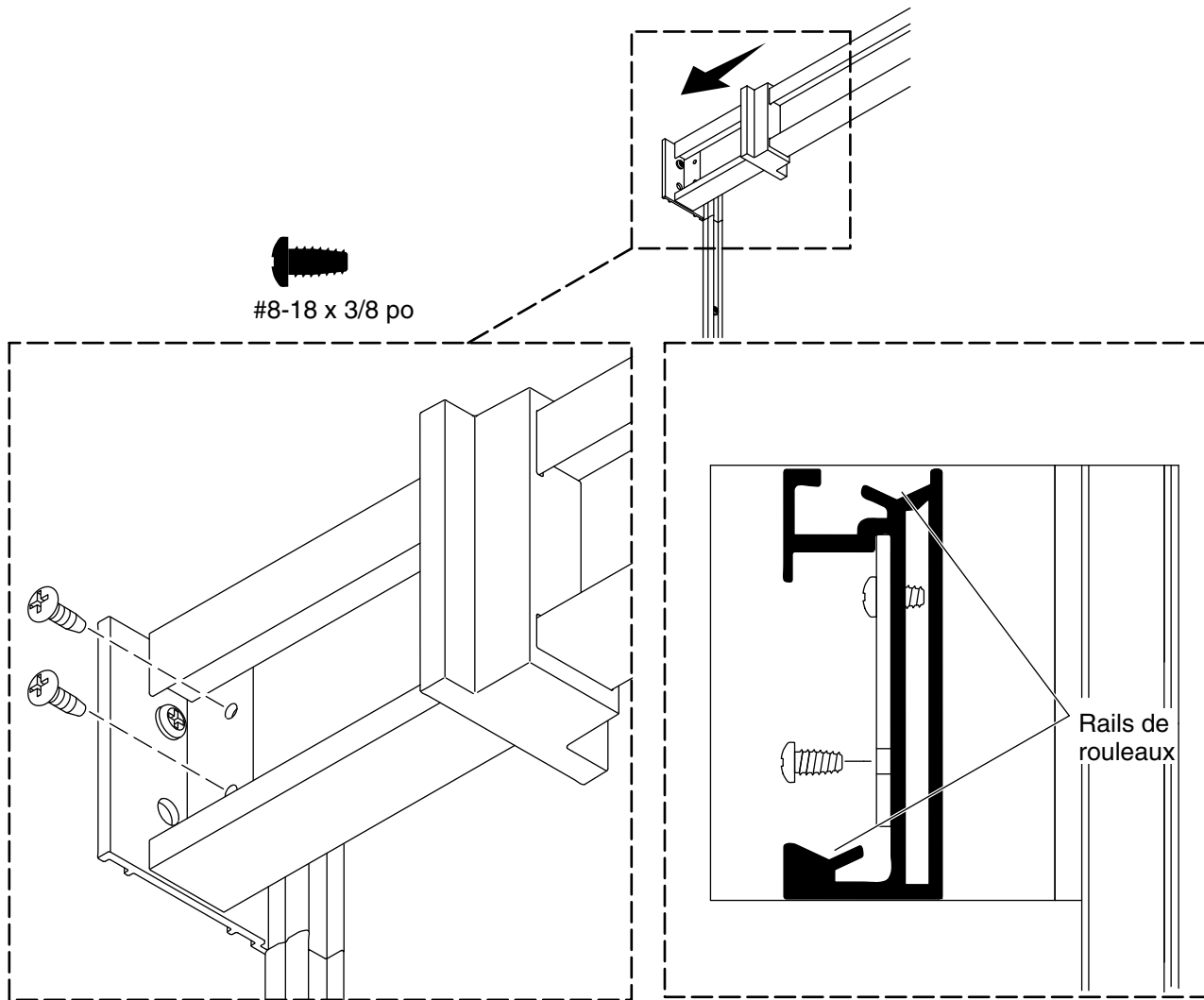
- Repérer les étiquettes sur le linteau et observer comment ils s'alignent sur les encoches situées sur le dessus.
- Avec les étiquettes sur le linteau dirigées vers soi, identifier les extrémités gauche et droite du linteau.
- Glisser le butoir approprié sur chaque extrémité du linteau et les déplacer vers le centre.



13. Positionner le linteau

AVIS: Les étiquettes se trouvant sur le linteau doivent être tournées vers l'extérieur de la douche.

- À partir de l'intérieur de la douche, élever le linteau au-dessus des tasseaux.
- Basculer le linteau et l'abaisser dans les tasseaux comme sur l'illustration.
- Les dessus des tasseaux doivent s'adapter dans le dessus à l'intérieur de la rainure du linteau comme sur l'illustration.
- Tourner le linteau pour le mettre en place jusqu'à ce qu'il soit à plat contre les tasseaux.

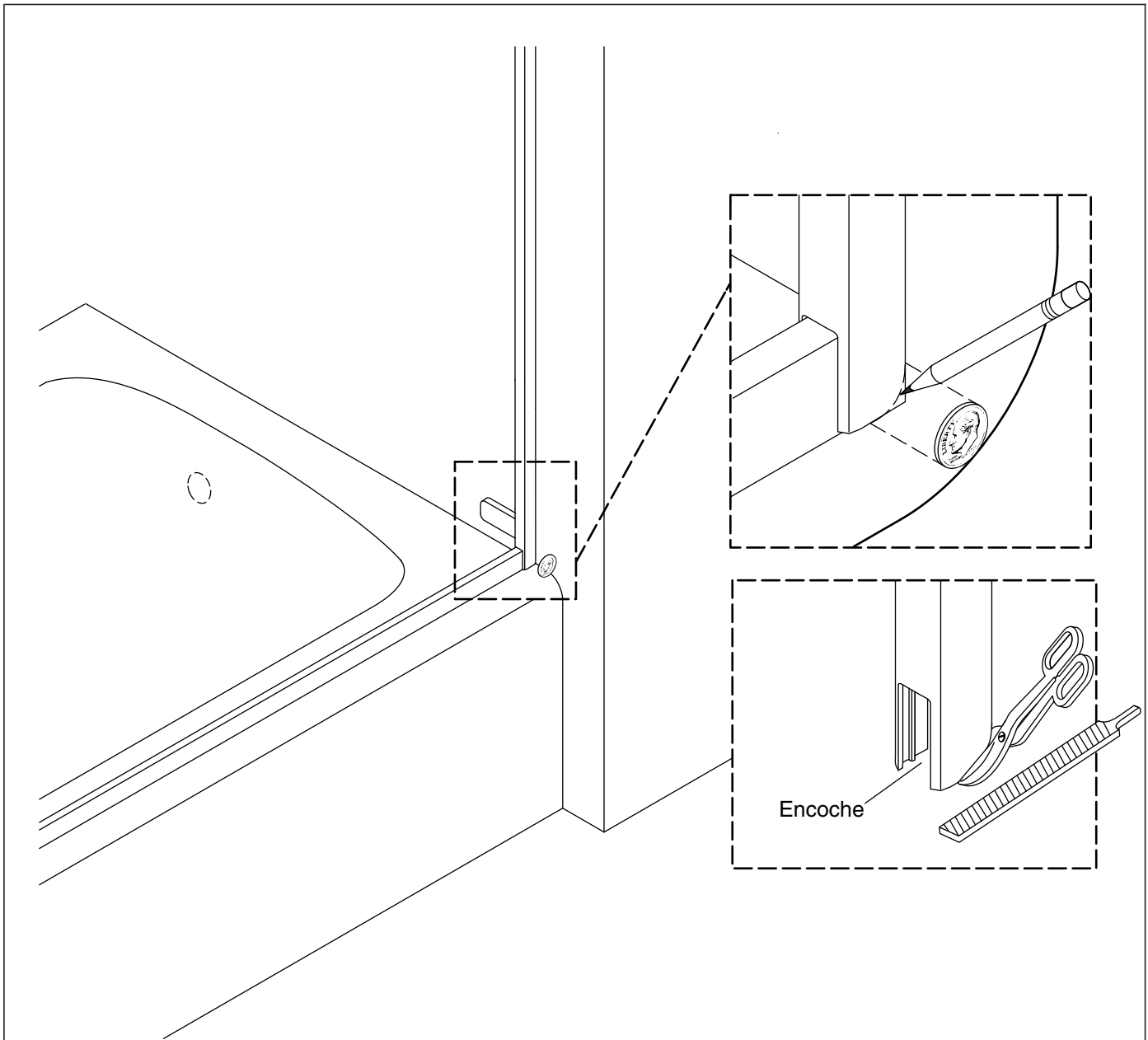


14. Fixer le linteau en place

- À partir de l'intérieur de la douche, fixer le linteau sur chaque tasseau avec deux vis auto-perceuses #8-18 x 3/8 po.

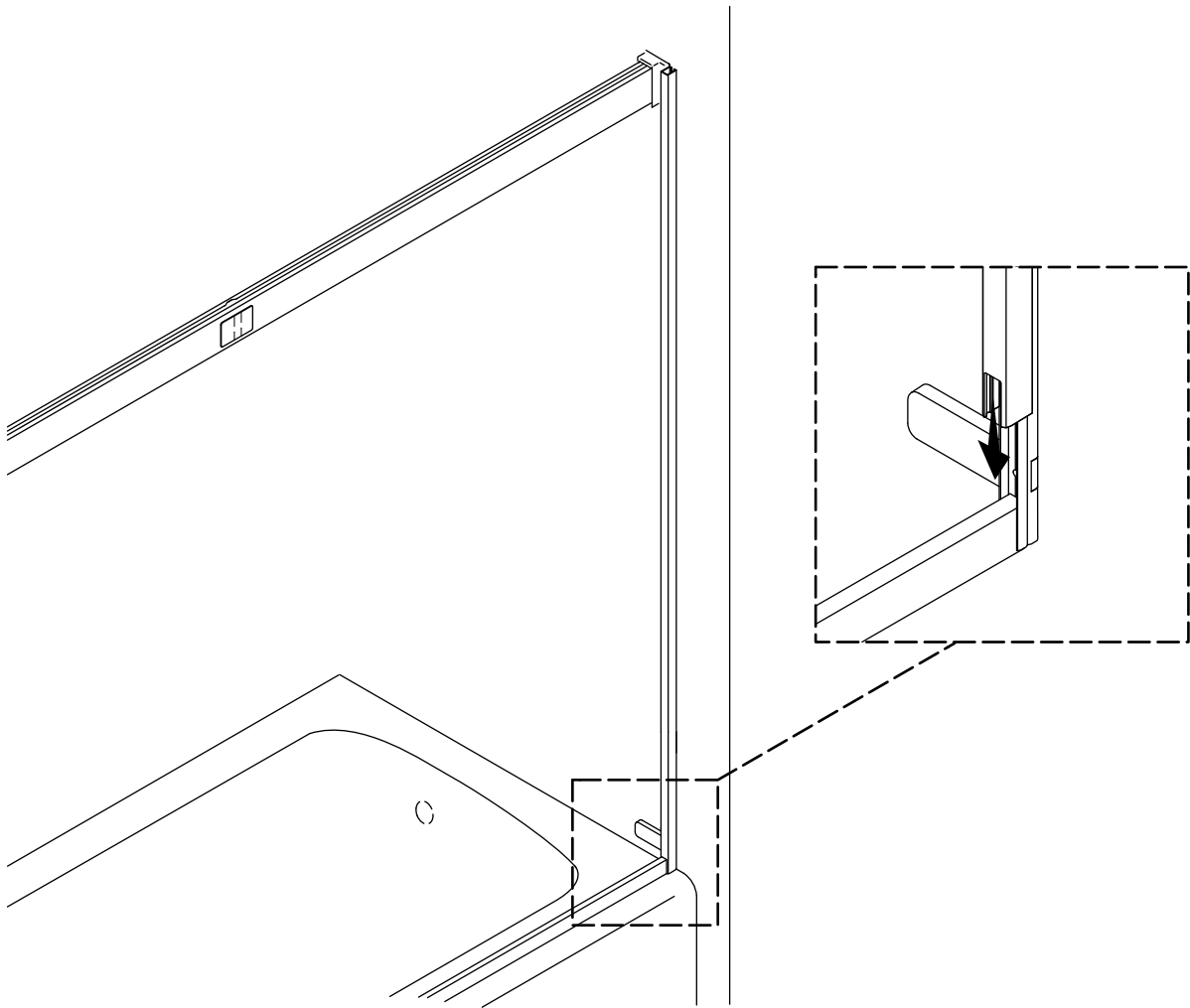
REMARQUE: Les vis auto-perceuses n'ont pas besoin d'être prépercées.

- Nettoyer le linteau avec précaution et sous tous les angles. S'assurer qu'aucun débris n'est présent dans les rails des rouleaux.
- Glisser les butoirs à ras contre chaque mur.



15. Former les couvertures de montants de mur

- Si nécessaire, former et limer le coin inférieur de la couverture du montant de mur pour l'adapter à l'arrondi du coin du mur de la douche.
- Répéter pour la deuxième couverture de montant de mur.

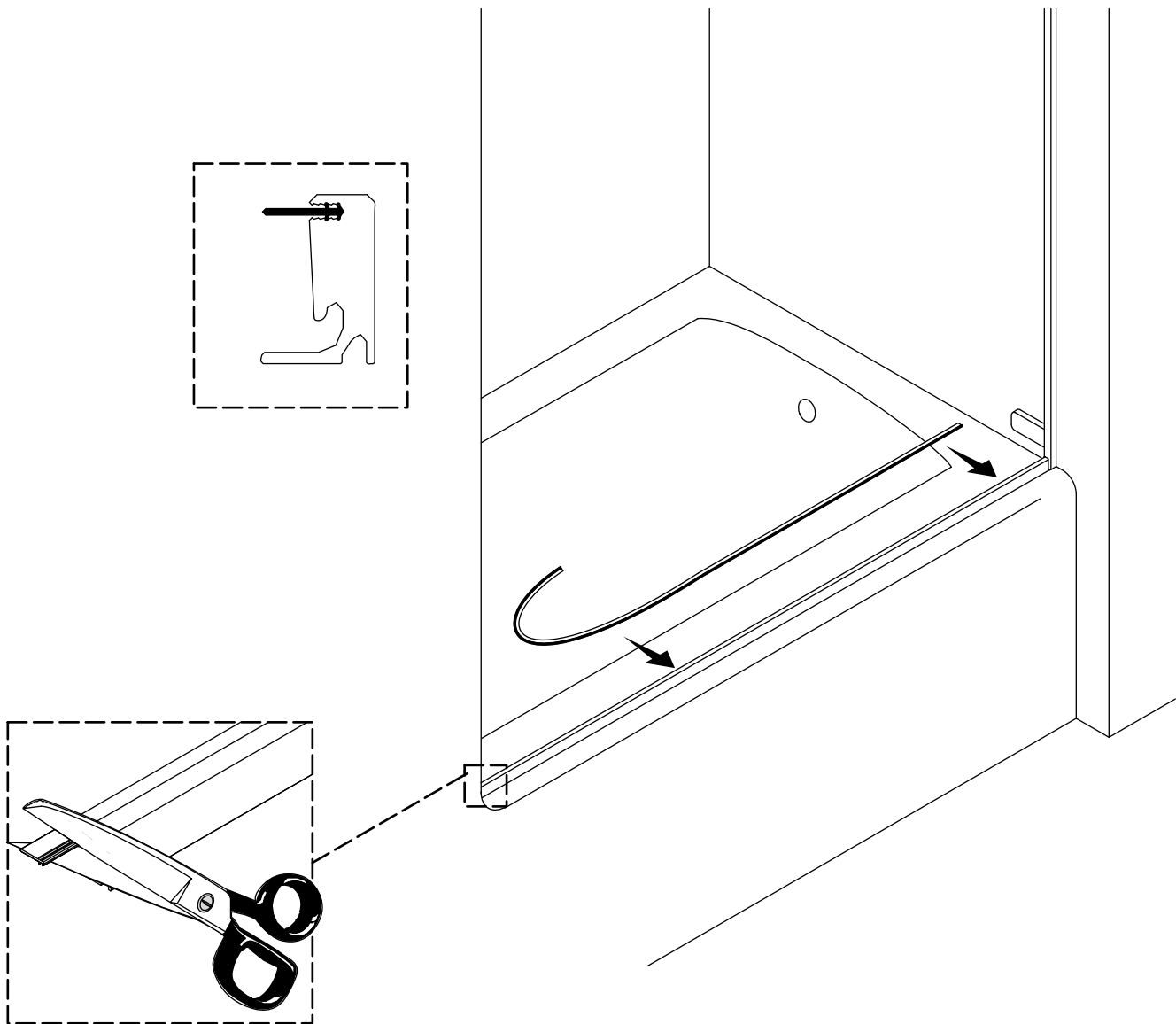


16. Installer les couvertures des montants de mur

- Positionner l'encoche dans la couverture du montant de mur par-dessus le seuil.
- Enfoncez la couverture du montant de mur sur le montant de mur.

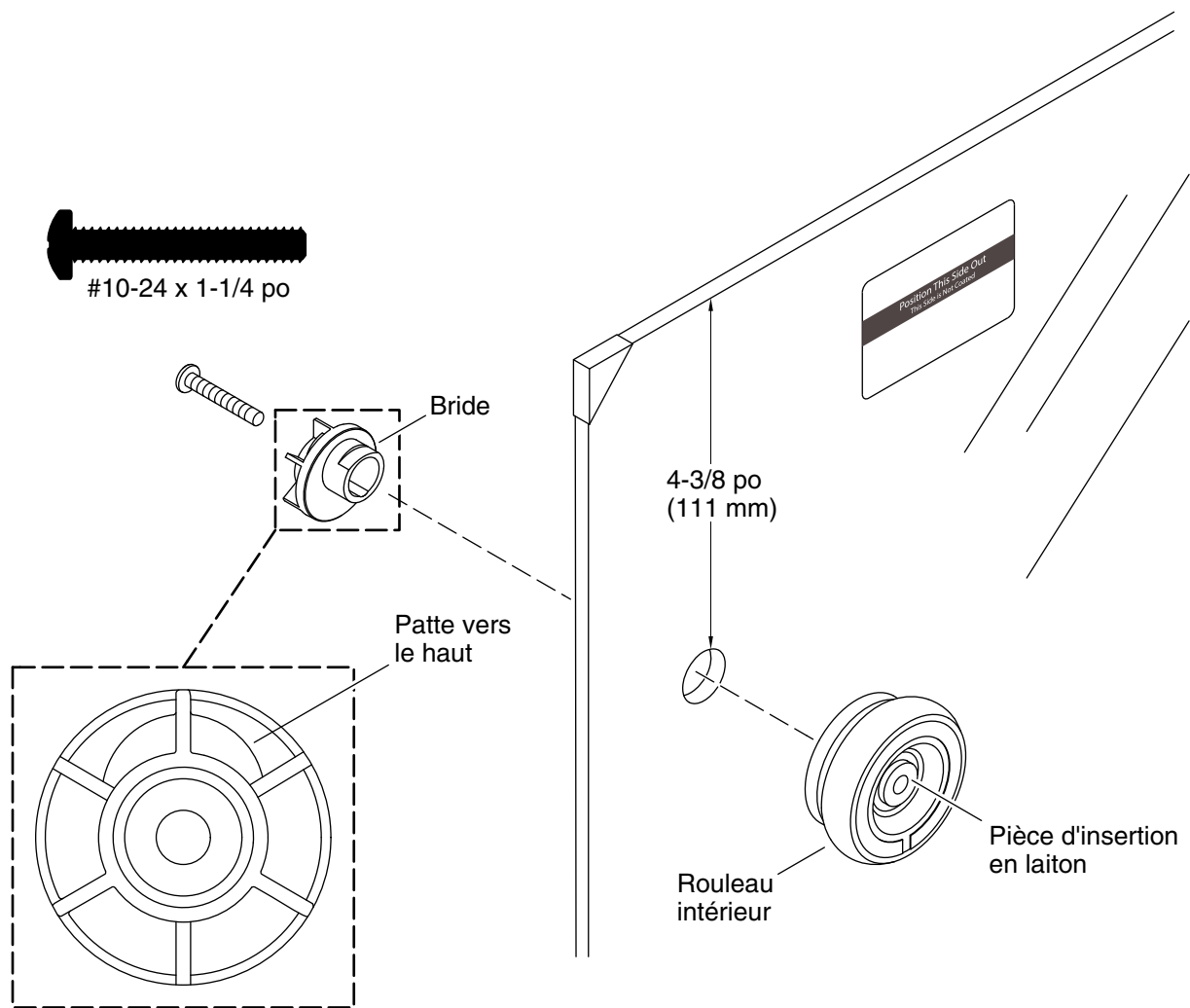
AVIS: Les couvertures du montant du mur ne sont pas à ras du mur.

- Répéter pour la deuxième couverture de montant de mur.



17. Installer le joint d'étanchéité du seuil

- En commençant à l'une des extrémités, enfoncer le joint d'étanchéité du seuil entièrement dans la rainure du seuil comme sur l'illustration.
- Couper la longueur excessive du joint d'étanchéité du seuil avec des ciseaux.

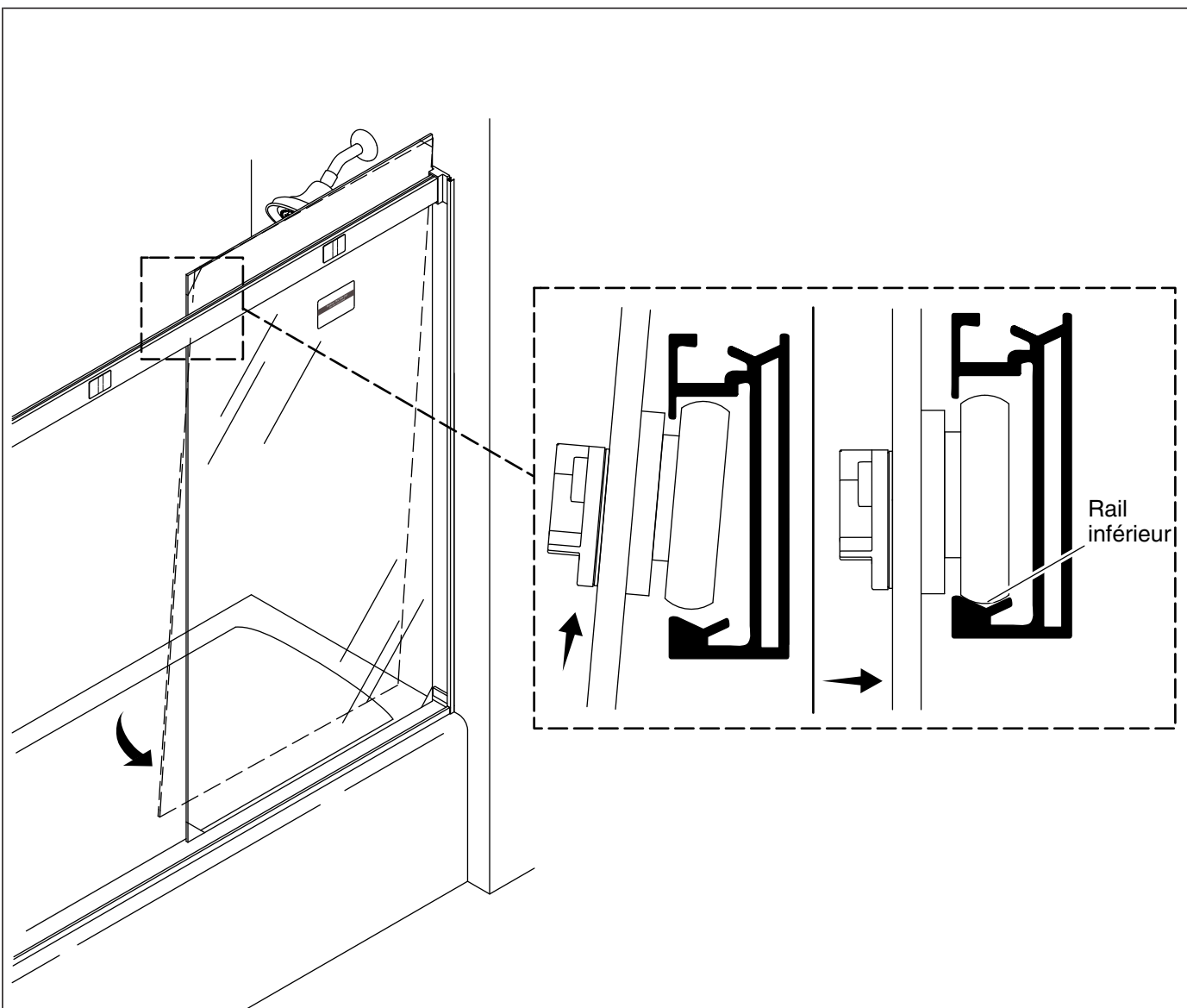


18. Assembler le panneau intérieur

AVIS: Les trous de fixation des rouleaux du panneau intérieur se trouvent à 4-3/8 po (111 mm) au-dessous du dessus du panneau.

AVIS: Les rouleaux intérieurs comprennent une pièce insérée en laiton.

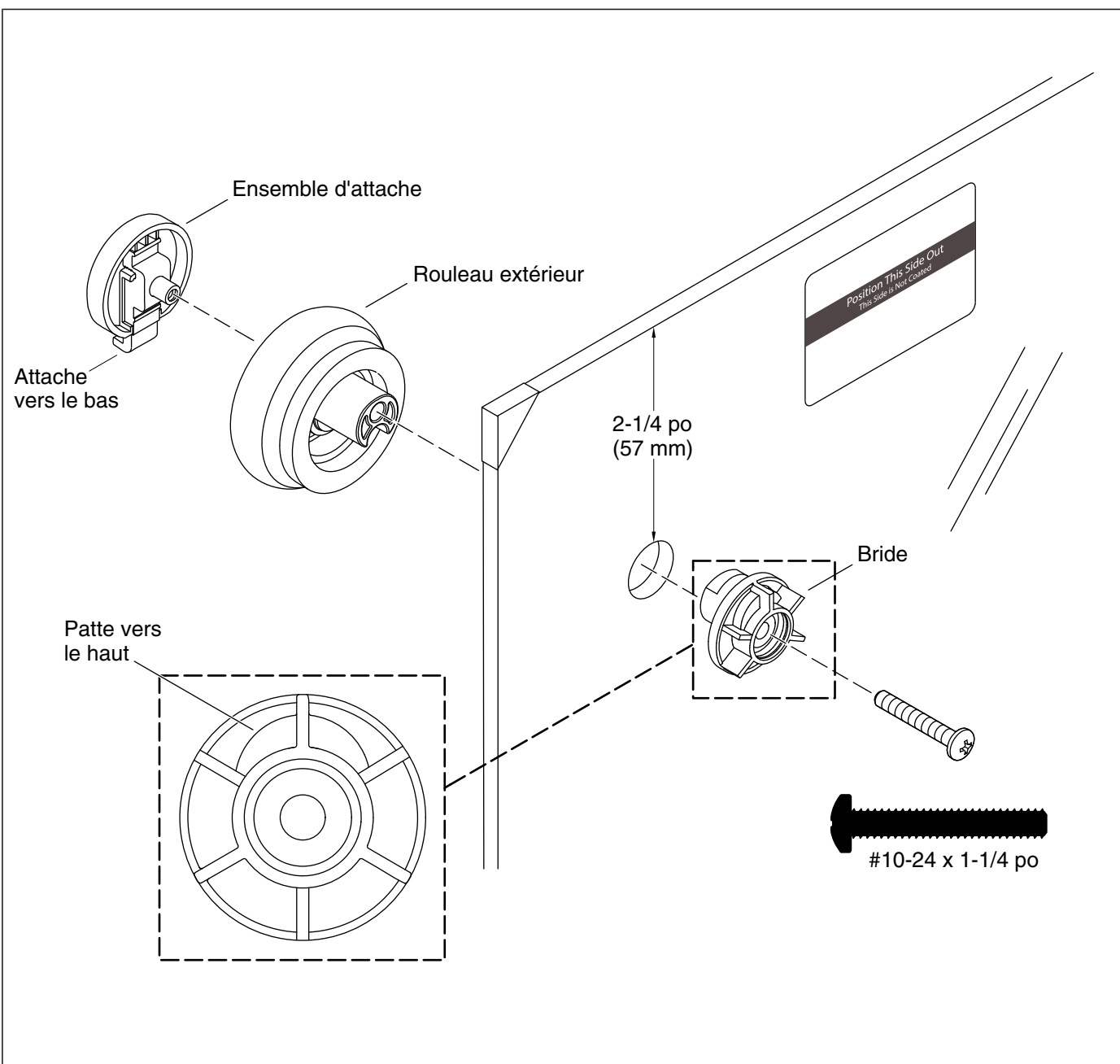
- Positionner chaque rouleau sur le même côté du panneau avec l'étiquette.
- Installer chaque rouleau intérieur avec la patte sur le dessus. Ceci positionnera la porte à son réglage le plus élevé, ce qui permet de l'ajuster plus facilement si nécessaire.
- Fixer chaque rouleau avec une vis #10-24 x 1-1/4 po.
- À l'aide d'un tournevis manuel uniquement, serrer **solidement** les vis.



19. Installer le panneau intérieur

REMARQUE: Les rouleaux et l'étiquette sont tournés vers l'extérieur de la douche.

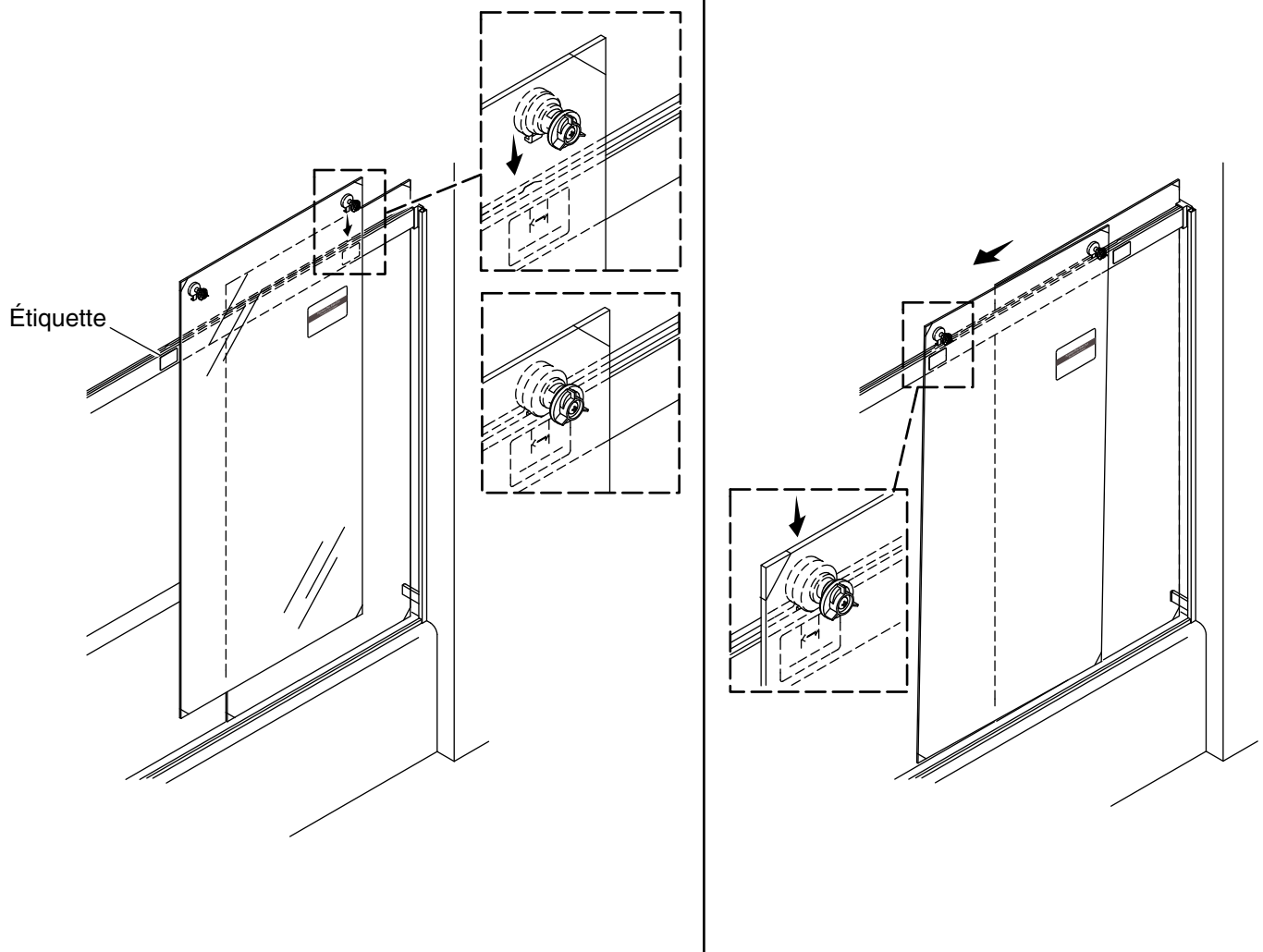
- Avec de l'aide, déplacer entièrement le panneau intérieur dans la zone de la douche.
- Avec de l'aide à partir de l'intérieur de la douche, basculer le panneau pour positionner les dessus des rouleaux à l'intérieur du linteau. Faire reposer les rouleaux sur le rail inférieur du linteau et mettre le panneau en place.
- S'assurer que le panneau peut avoir un mouvement de va-et-vient sans heurts. Si nécessaire, ajuster les rouleaux selon les instructions de la section « Ajuster les rouleaux ».



20. Assembler le panneau extérieur

AVIS: Les trous de fixation des rouleaux du panneau extérieur se trouvent à 2-1/4 po (57 mm) au-dessous du dessus du panneau.

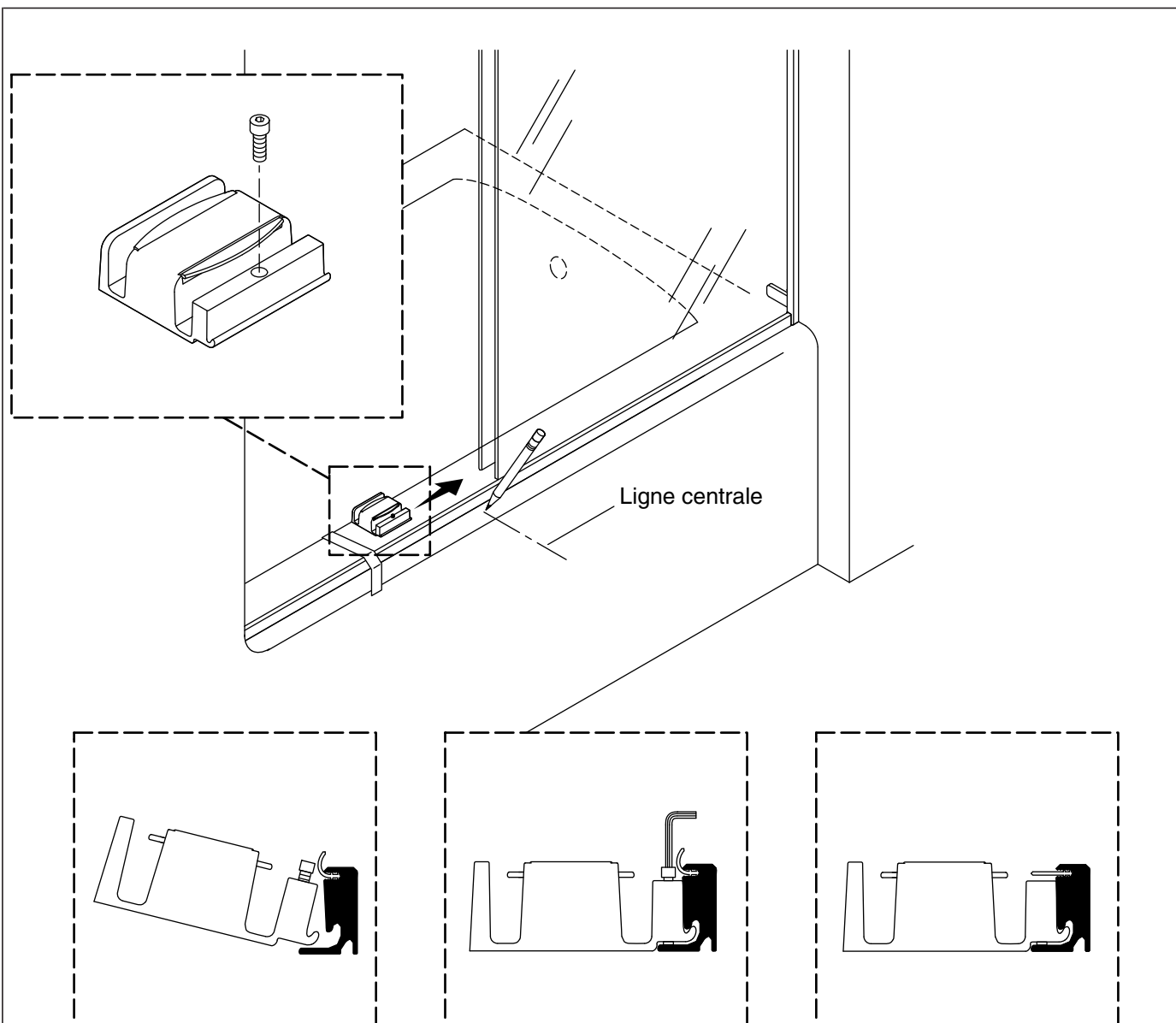
- Positionner le rouleau sur le côté opposé du panneau avec l'étiquette.
- Installer les rouleaux extérieurs avec la patte sur la bride située sur le dessus.
- Fixer chaque rouleau avec une vis #10-24 x 1-1/4 po.
- Tenir l'attache vers le bas pendant que la vis est serrée.
- À l'aide d'un tournevis manuel uniquement, serrer **solidement** les vis, jusqu'à ce que l'attache ne puisse plus être tournée à la main.



21. Installer le panneau extérieur

AVIS: Repérer les encoches sur le linteau, qui sont alignées avec les étiquettes « Zone d'installation de panneau ».

- Avec de l'aide, à partir de l'extérieur de la douche, lever le panneau, aligner une attache de rouleau sur une encoche et poser le rouleau sur le rail de rouleaux.
- Lever le côté opposé du panneau de manière à ce que le deuxième rouleau se trouve au-dessus du linteau. Glisser le panneau pour aligner l'attache du deuxième rouleau sur la deuxième encoche. Poser le rouleau sur le rail de rouleaux.



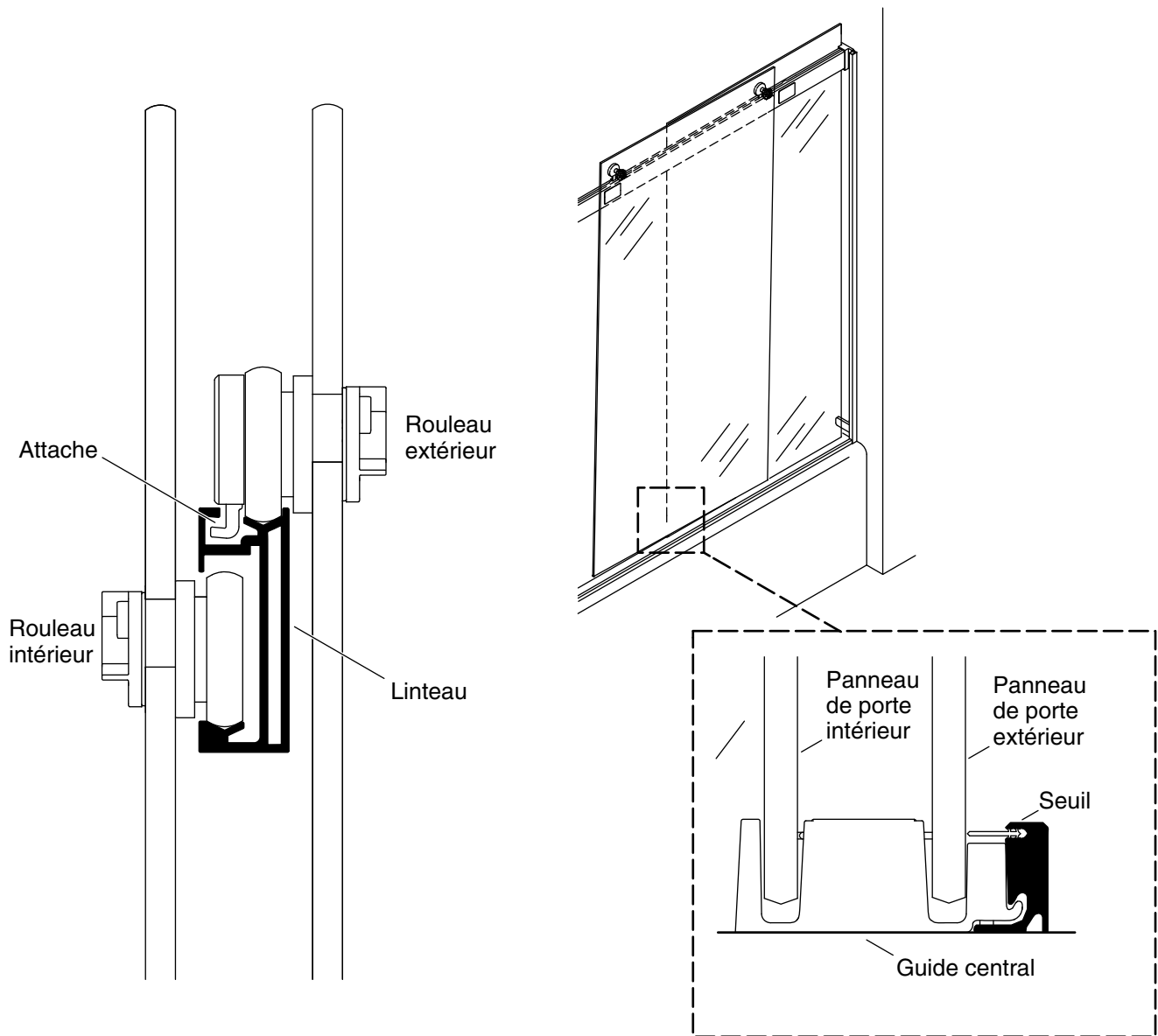
22. Installer le guide central

IMPORTANT! Le guide central doit être entièrement assis à l'arrière de la lèvre du seuil, comme sur l'illustration.

- Glisser les deux panneaux de porte sur un côté de la douche.
- Enfiler la vis partiellement dans le trou du guide central. S'assurer que l'extrémité de la vis ne fasse pas saillie à partir du fond du guide central.
- Mesurer et marquer la ligne centrale du seuil sur l'extérieur du rebord de la base de la douche/de la baignoire.
- Tourner le guide central pour le mettre en place dans la rainure du seuil comme sur l'illustration.
- Glisser le guide central vers le bas du seuil jusqu'à ce que la ligne soit alignée sur le repère de la ligne centrale.
- Glisser les panneaux de porte dans les canaux du guide central.

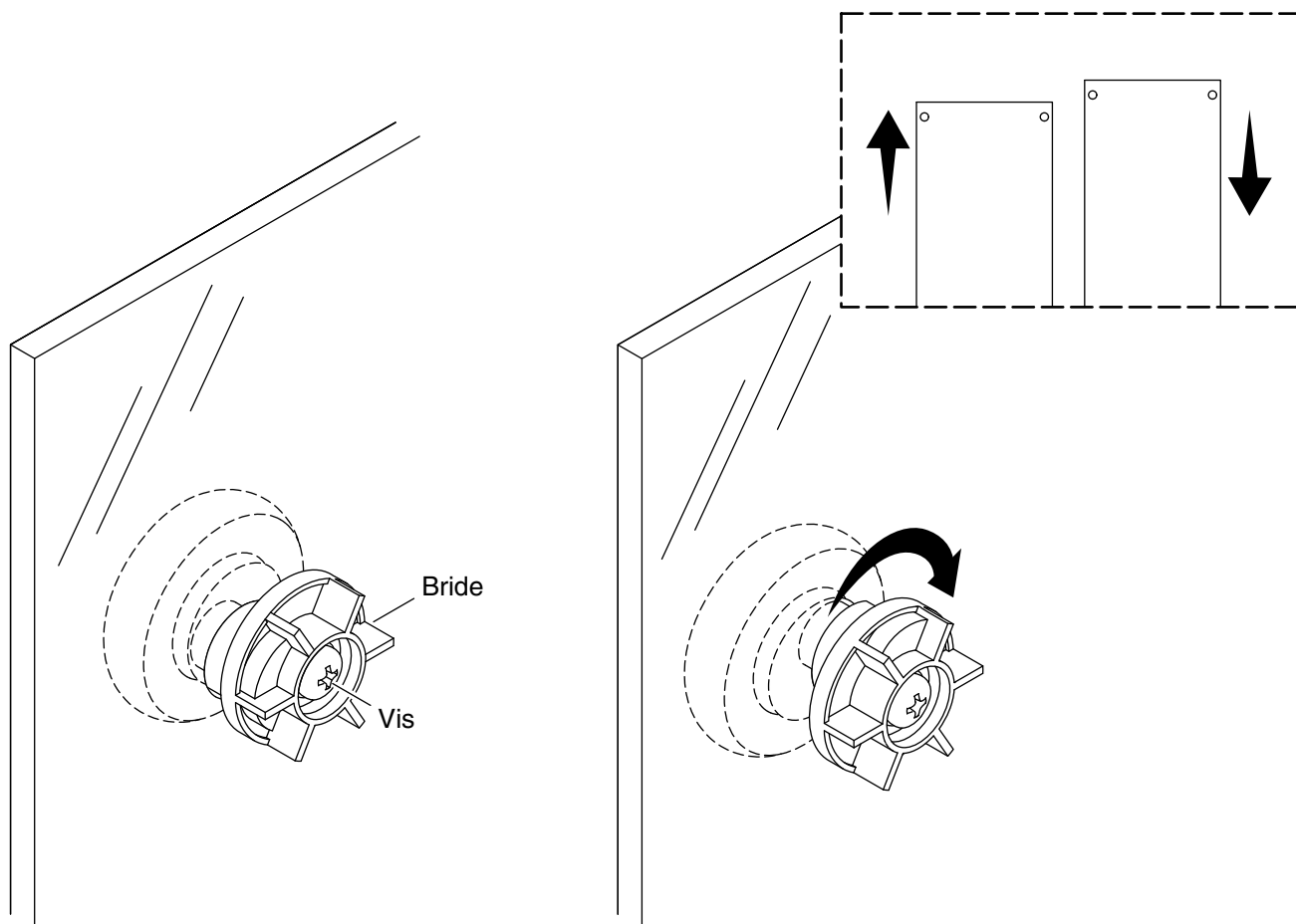
Installer le guide central (cont.)

- Lever le joint d'étanchéité du seuil pour accéder à la vis. Serrer la vis à la main avec une clé hexagonale de 5/32 po, puis serrer d'un demi-tour supplémentaire.



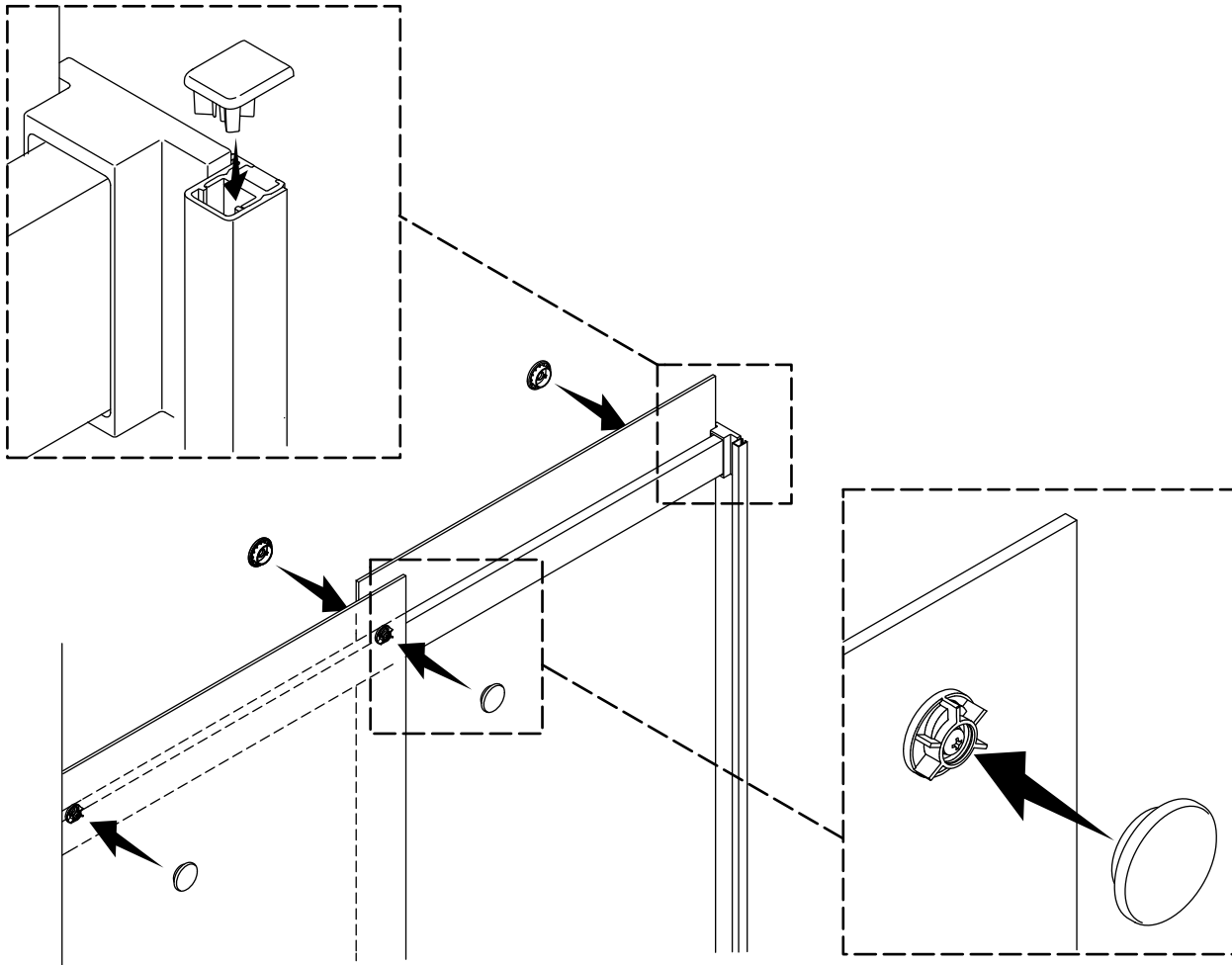
23. Vérifier que l'installation est adéquate

- Vérifier que tous les rouleaux sont engagés dans les pistes du linteau.
- Les dessus des rouleaux intérieurs doivent se trouver à l'intérieur du linteau.
- Les attaches se trouvant sur les rouleaux extérieurs doivent être engagées à l'intérieur du bord supérieur du linteau. Elles ne doivent pas être visibles.
- Les fonds des panneaux de porte doivent être engagés dans les canaux du guide central.
- Le guide central doit être attaché solidement sur le seuil.



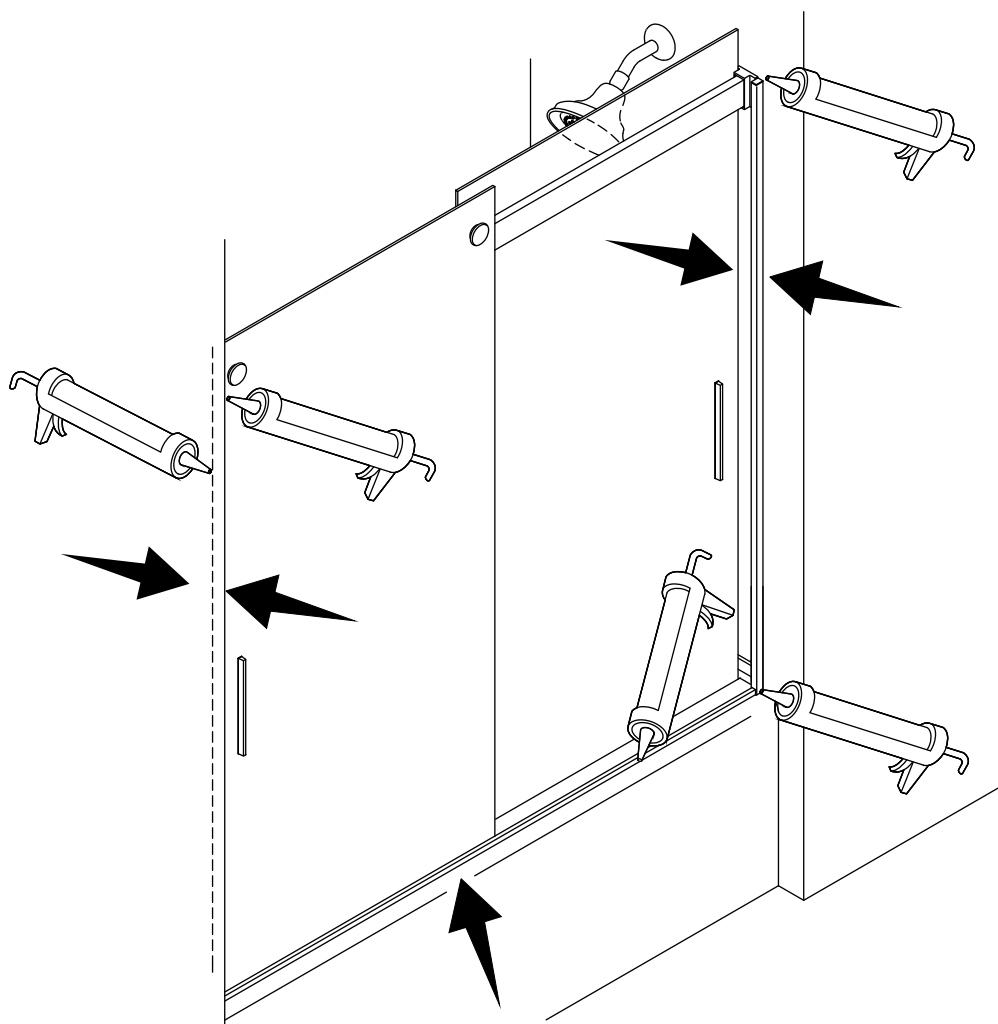
24. Ajuster les rouleaux

- Les rouleaux pourraient devoir être ajustés si un panneau ne se déplace pas, si l'on observe un bruit de raclement lorsqu'il est déplacé, ou si un butoir supérieur ou inférieur n'entre pas en contact lors de la fermeture.
- Ajuster l'alignement de chaque extrémité du panneau en desserrant les vis et en tournant la bride d'ajustement.
- Lors de l'ajustement du panneau extérieur, tenir la couverture de l'attache tout droit tout en serrant les vis en toute sécurité de manière à ce que l'attache ne racle pas dans sa piste.
- Répéter jusqu'à ce que la porte fonctionne sans heurts et qu'elle soit alignée uniformément sur les murs de la douche.
- Vérifier que les attaches sont encore orientées correctement (voir la section « Vérifier l'installation correcte »). Serrer **solidement** les vis.



25. Poser les capuchons

- Encliqueter un capuchon en place sur chacun des quatre rouleaux.
- Enfoncer un capuchon dans le dessus de chaque montant de mur.



26. Appliquer du mastic à la silicone à 100%

- Installer le porte-serviettes ou la poignée en utilisant les instructions séparées fournies.
- Appliquer du mastic à la silicone à 100% le long des montants de mur à l'intérieur et à l'extérieur de la douche/baignoire et le long du bord extérieur du seuil.

Dépannage

Ce guide de dépannage est seulement destiné à fournir une aide d'ordre général. Pour des problèmes ou questions concernant l'entretien et l'installation, composer le 1-800-4-KOHLER.

Tableau de dépannage

Symptômes	Cause probable	Action recommandée
1. La porte fait du bruit lorsqu'elle est ouverte ou fermée.	<p>A. Une attache de rouleau extérieur n'est pas dirigée tout droit vers le bas et racle à l'intérieur du linteau.</p> <p>B. Un rouleau extérieur n'est pas bien serré, ce qui fait que l'attache racle à l'intérieur du linteau.</p> <p>C. Les panneaux de porte sont placés trop bas, ce qui fait qu'ils raclent sur la base du guide central ou sur le rebord de la base de la douche/de la baignoire.</p> <p>D. Les galets sont usés et bruyants.</p>	<p>A. Desserrer la vis du rouleau extérieur, tourner l'attache de manière à ce qu'elle soit dirigée tout droit vers le bas et qu'elle soit engagée dans le linteau, et serrer solidement la vis des rouleaux.</p> <p>B. Serrer les vis du rouleau extérieur en assurant que les attaches soient dirigées tout droit vers le bas.</p> <p>C. Ajuster les rouleaux pour élever les panneaux de porte de manière à ce qu'ils ne raclent plus. Voir la section « Ajuster les rouleaux ».</p> <p>D. Remplacer les galets.</p>
2. Il est difficile de déplacer la porte ou elle ne s'ouvre pas.	<p>A. Une attache de rouleau n'est pas pointée tout droit vers le bas et racle à l'intérieur du linteau.</p> <p>B. Les panneaux de porte sont placés trop bas, ce qui fait qu'ils raclent sur la base du guide central ou sur le rebord de la base de la douche/de la baignoire.</p> <p>C. Le joint d'étanchéité du seuil n'est pas entièrement assis, ce qui fait frotter le panneau de porte.</p>	<p>A. Desserrer la vis du rouleau, tourner l'attache de manière à ce qu'elle soit dirigée tout droit vers le bas et qu'elle soit engagée dans le linteau, et serrer la vis du rouleau en toute sécurité.</p> <p>B. Ajuster les rouleaux pour élever les panneaux de porte de manière à ce qu'ils ne raclent plus.</p> <p>C. Enfoncer le joint d'étanchéité entièrement dans le seuil.</p>
3. Les panneaux de la porte peuvent basculer librement vers l'intérieur ou l'extérieur de la douche.	<p>A. Le guide central n'est pas installé.</p> <p>B. Le guide central n'est pas installé dans l'emplacement correct.</p> <p>C. Les panneaux de porte ne sont pas installés correctement sur le guide central.</p> <p>D. La taille de la porte est incorrecte pour l'ouverture de la douche.</p>	<p>A. Installer le guide central selon les instructions.</p> <p>B. Installer le guide central sur le centre du rebord de la base de la douche/de la baignoire.</p> <p>C. Les panneaux de porte doivent glisser dans les canaux du guide central.</p> <p>D. Obtenir le produit adéquat pour l'ouverture de la douche.</p>
4. Le guide central est desserré.	<p>A. Le guide central n'est pas entièrement serré.</p> <p>B. Le guide central n'est pas installé correctement sur la base de la douche/le rebord de la baignoire.</p>	<p>A. À l'aide de la clé hexagonale fournie, serrer la vis jusqu'à ce que le guide central ne puisse plus être déplacé à la main.</p> <p>B. Vérifier que le crochet du guide central est engagé dans le seuil.</p>

Dépannage (cont.)

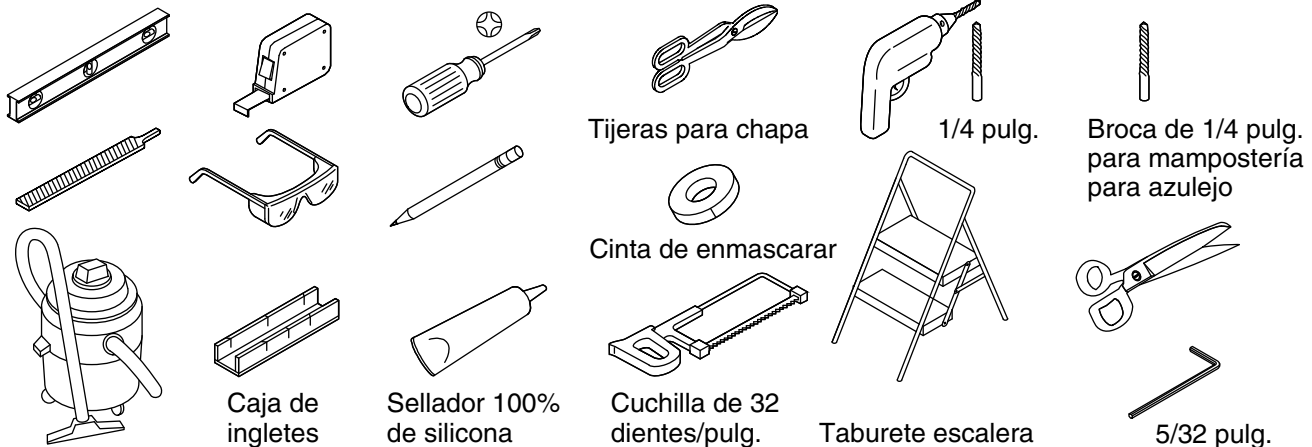
Tableau de dépannage

Symptômes	Cause probable	Action recommandée
5. Fuites d'eau.	<p>A. Fuites d'eau sous le seuil.</p> <p>B. Fuites d'eau sous un panneau de porte.</p> <p>C. Fuites d'eau sous un panneau de porte.</p> <p>D. Fuites d'eau entre les panneaux de porte.</p> <p>E. Fuites d'eau entre un panneau de porte et un montant de mur.</p> <p>F. Fuites d'eau entre un panneau de porte et un montant de mur.</p> <p>G. Fuites d'eau à l'arrière du montant de mur.</p>	<p>A. Appliquer du mastic à la silicone à 100% sur le bord extérieur du seuil. Voir les instructions du fabricant du mastic à la silicone avant d'utiliser la douche.</p> <p>B. Ajuster les rouleaux de manière à ce que les parties inférieures des panneaux de porte soient plus près de la base de la douche/du rebord de la baignoire. Voir la section « Ajuster les rouleaux ».</p> <p>C. Retirer les couvertures de montants de mur et s'assurer que les tasseaux sont installés correctement. Si un écartement est présent entre le montant de mur et le tasseau, les panneaux de porte pourraient avoir été installés trop haut.</p> <p>D. S'assurer que le panneau intérieur soit le panneau le plus proche de la pomme de douche lorsqu'on prend une douche.</p> <p>E. Ajuster les rouleaux de manière à ce que les butoirs entrent en contact uniformément avec le mur et le panneau de porte. Voir la section « Ajuster les rouleaux ».</p> <p>F. Commander et installer la trousse d'étanchéité optionnelle.</p> <p>G. Appliquer du mastic à la silicone à 100% sur le rebord extérieur et le rebord intérieur du montant de mur. Voir les instructions du fabricant du mastic à la silicone avant d'utiliser la douche.</p>
6. La poignée n'est pas installée en toute sécurité.	A. Le panneau de porte n'est pas nettoyé de manière adéquate avant l'installation de la poignée ou la poignée n'est pas enfoncée fermement pendant l'installation.	A. Nettoyer le panneau de porte et installer une nouvelle poignée.







Guía de instalación

Puertas corredizas de bañera y de ducha

Herramientas y materiales



Antes de comenzar

-  **ADVERTENCIA: Riesgo de lesiones graves.** Daños previos a la instalación pueden ocasionar que el vidrio se quiebre en pedazos. Antes de hacer la instalación, revise el vidrio y todas las piezas para ver si presentan daños.
-  **ADVERTENCIA: Riesgo de lesiones graves.** Si la instalación se hace de manera incorrecta, el vidrio podría quebrarse en pedazos. Siga todas las instrucciones de instalación.
-  **ADVERTENCIA: Riesgo de lesiones graves.** No corte el vidrio templado. El vidrio templado se quiebra en pedazos si se trata de cortarlo.
-  **ADVERTENCIA: Riesgo de lesiones graves.** El panel de la puerta y los paneles laterales de la ducha podrían quebrarse en pedazos. Revise con regularidad el vidrio y todas las piezas para ver si presentan daños, si algo falta o si hay piezas sueltas.
-  **ADVERTENCIA: Riesgo de lesiones graves.** Siempre utilice anteojos de seguridad al cortar y al taladrar.
-  **PRECAUCIÓN: Riesgo de lesiones personales.** El vidrio templado no debe hacer contacto con superficies duras, pues podría quebrarse en pedazos. No toque el borde de un panel de vidrio templado con herramientas ni con ningún otro objeto duro.

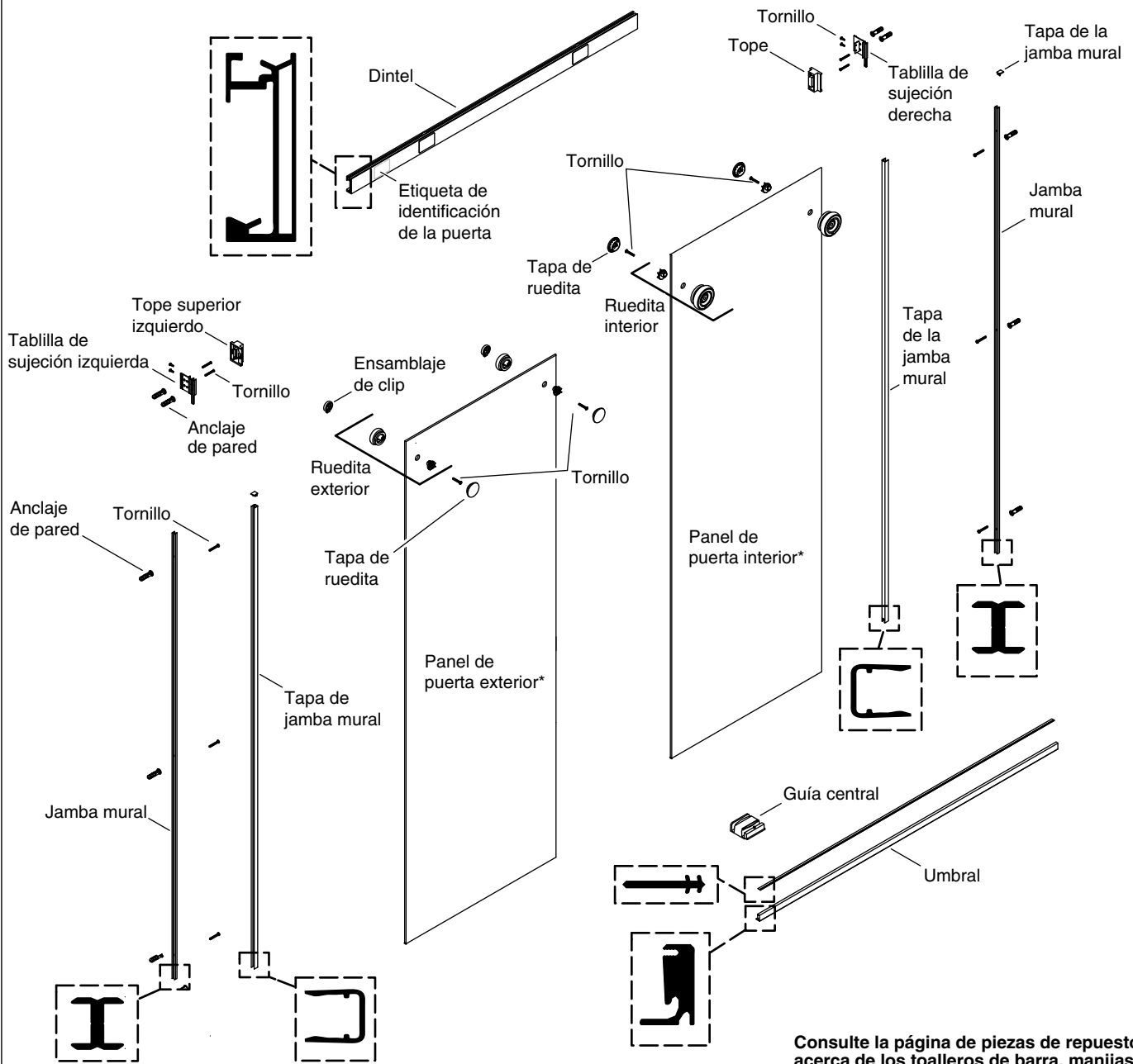
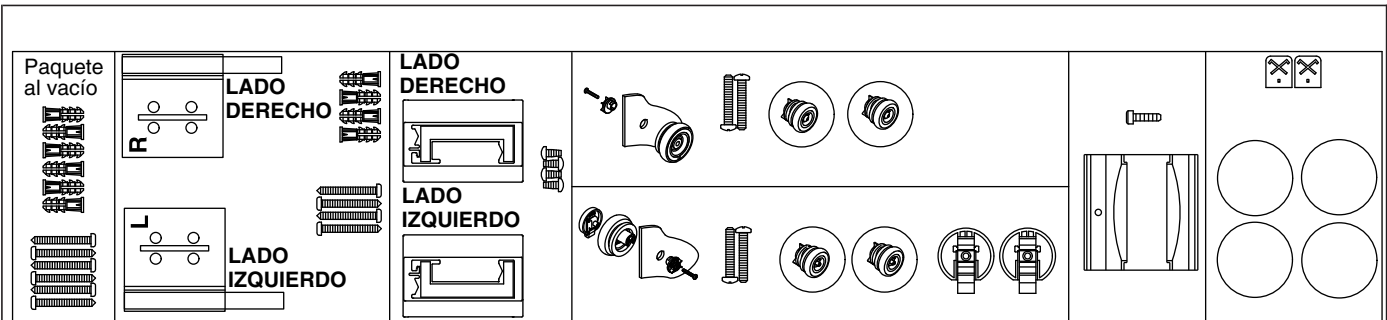
¡IMPORTANTE! Deje este manual para el usuario final. Lea estas instrucciones antes de instalar o de utilizar este producto.

¡IMPORTANTE! Esta puerta está diseñada para paredes que estén a menos de 3/8" (10 mm) de estar a plomo. Verifique que el área donde se vaya a fijar la puerta esté menos de 3/8" (10 mm) de estar a plomo. Es posible que la puerta no funcione correctamente si la pared está fuera de plomo más de 3/8" (10 mm).

- Cubra el desagüe con cinta adhesiva de enmascarar para evitar perder piezas pequeñas.
- Identifique todas las piezas antes de la instalación.

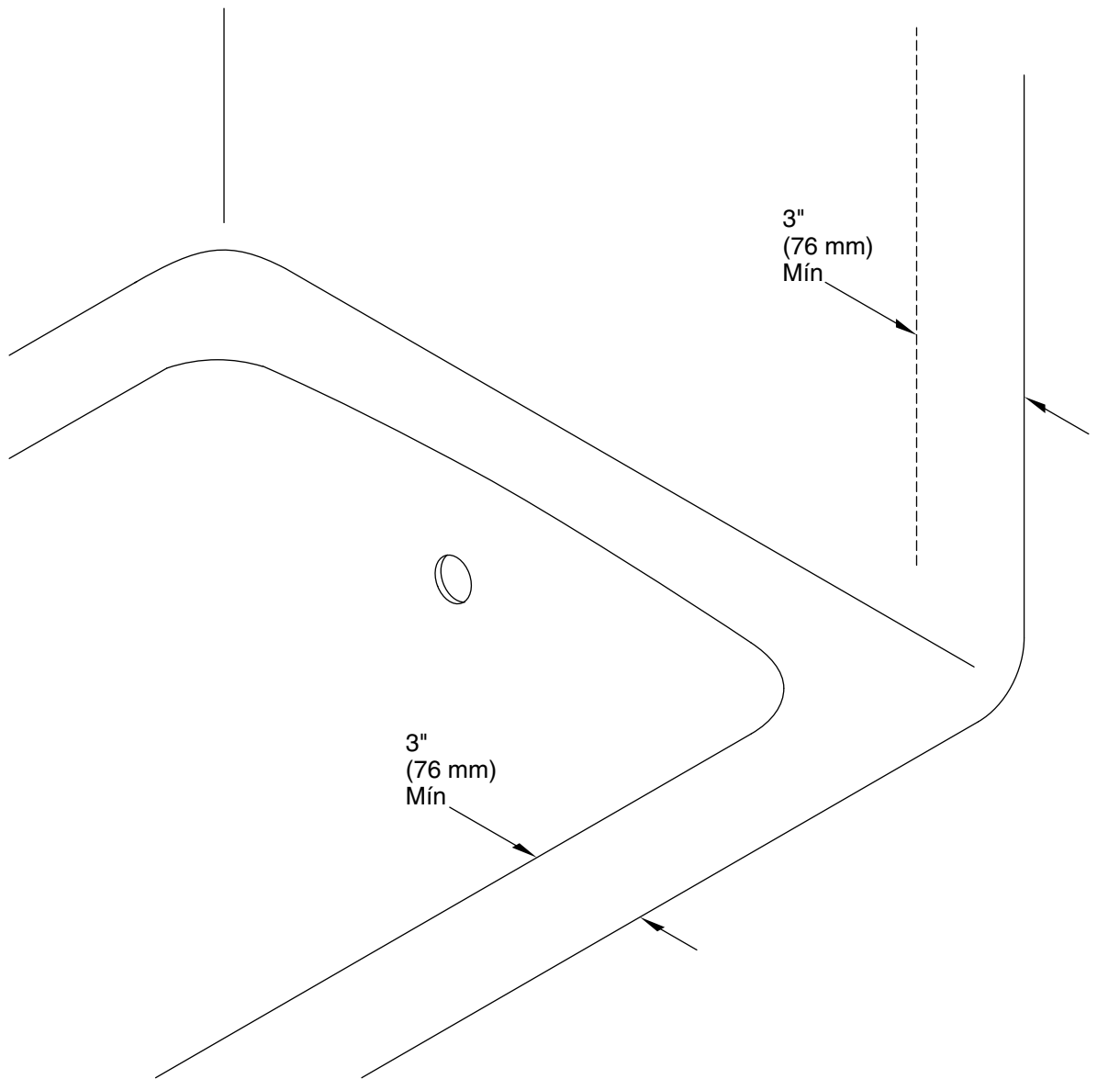
Antes de comenzar (cont.)

- Identifique los paneles interior y exterior al comparar la distancia entre el borde superior del vidrio y el orificio de montaje de las rueditas. Las rueditas en el panel interior se instalan más abajo que en el panel exterior.
- Siga las instrucciones de aplicación y de tiempo de secado del fabricante del sellador de silicona.
- Para ver este video de instalación en línea, visite us.kohler.com y busque el número de su producto.



Consulte la página de piezas de repuesto acerca de los toalleros de barra, manijas, y todas las piezas de repuesto.

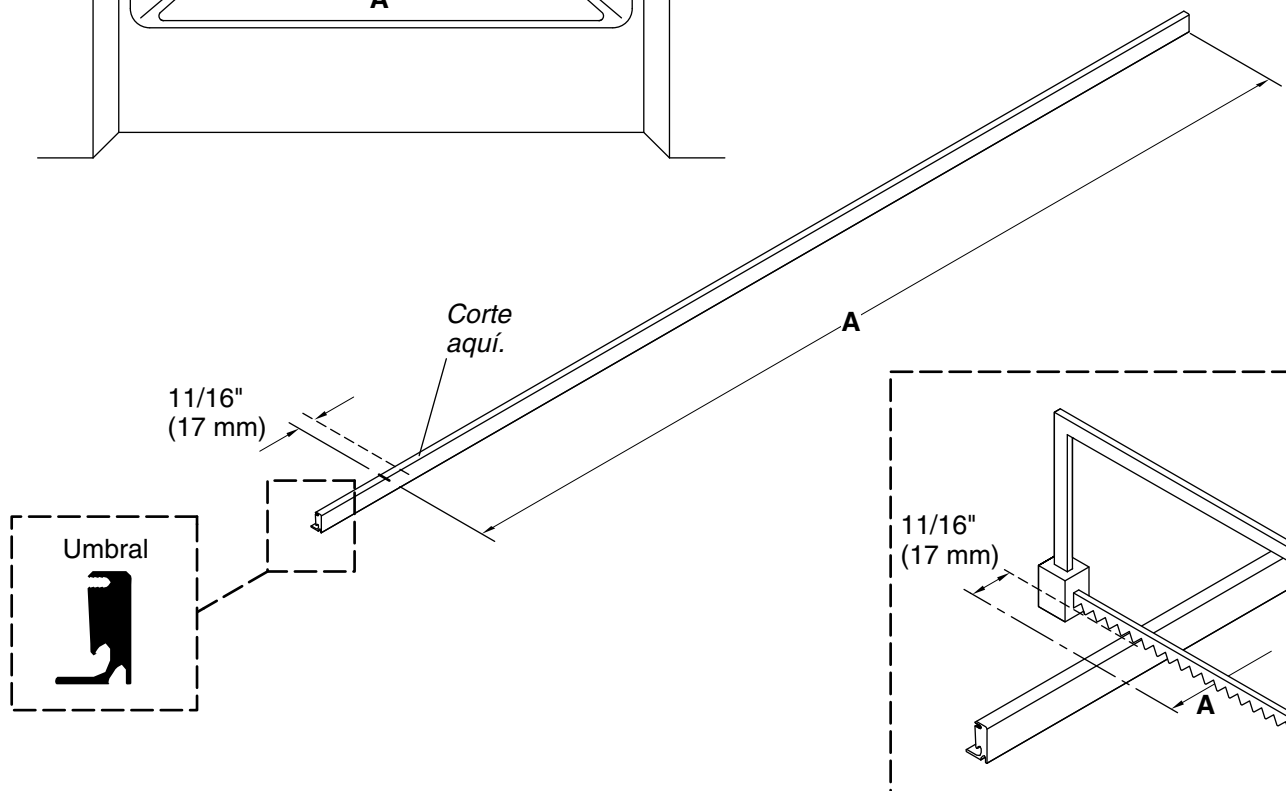
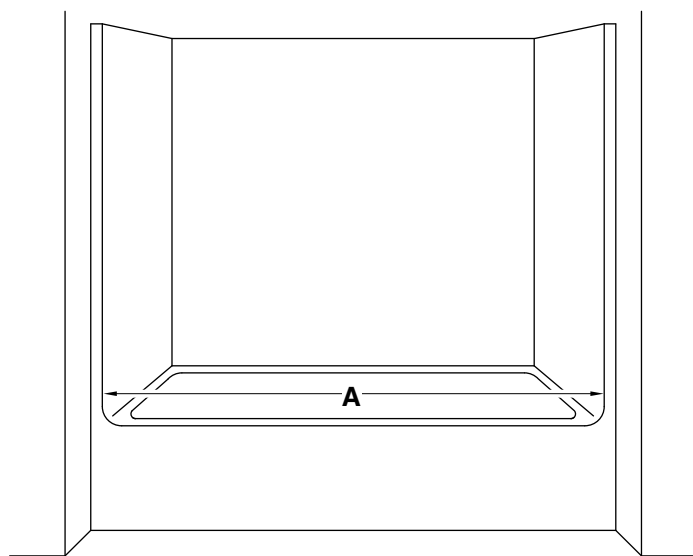
Identificación de piezas



1. Confirme la compatibilidad de los rebordes y las paredes

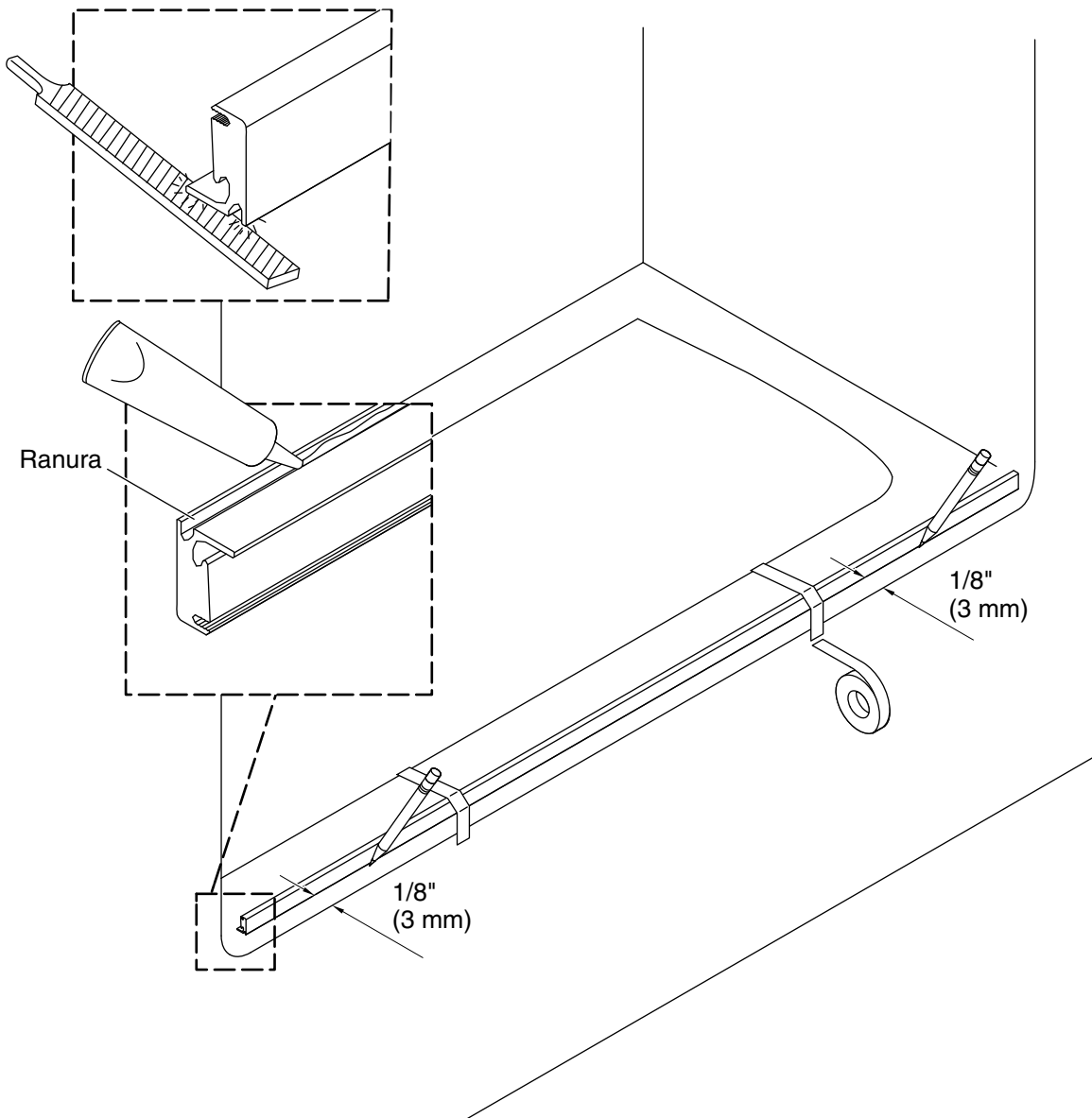
¡IMPORTANTE! Confirme que la base de la ducha o el reborde de bañera y las paredes cumplan los siguientes requisitos. **No instale la puerta** si no se cumplen estos requisitos.

- Debe haber una superficie plana de por lo menos 3" (76 mm) en la base de la ducha o el reborde de la bañera y en las paredes.
- Las paredes deben estar a menos de 3/8" (10 mm) de estar a plomo.
- La base de la ducha/el reborde de la bañera deben estar a menos de 3/8" (10 mm) de estar completamente nivelados.



2. Mida y corte el umbral

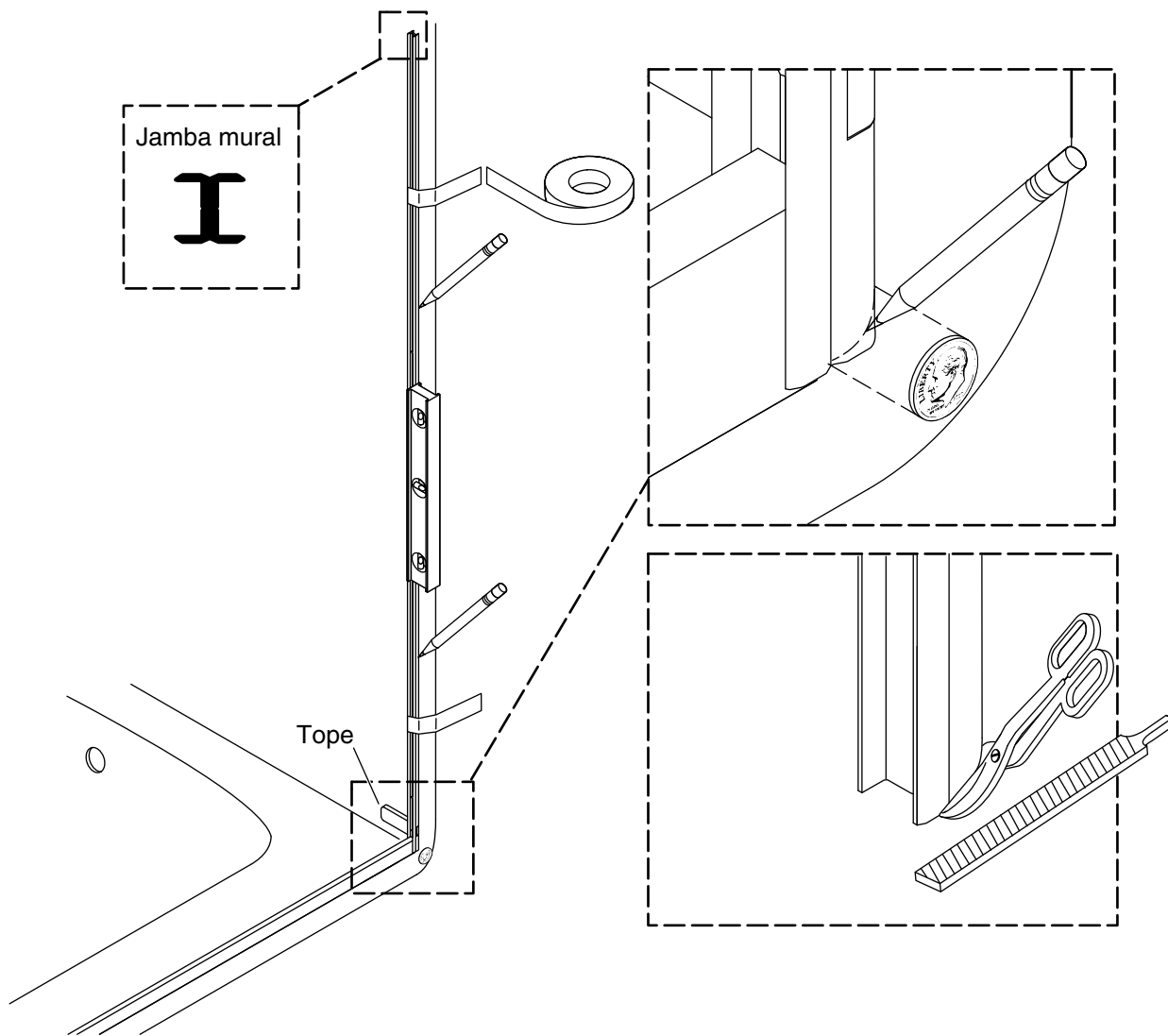
- Cubra el desagüe con cinta de enmascarar para evitar perder piezas pequeñas.
- Proteja la superficie de la ducha con una lona.
- Mida la distancia "A" entre las paredes de la ducha, y márquela en el umbral.
- Mida 11/16" (17 mm) a partir de la marca "A" y haga una segunda marca en el umbral, como se indica.
- Recorte el umbral en la segunda marca y lime los bordes ásperos.



3. Coloque el umbral en su lugar

AVISO: El umbral debe asentar sobre una superficie plana.

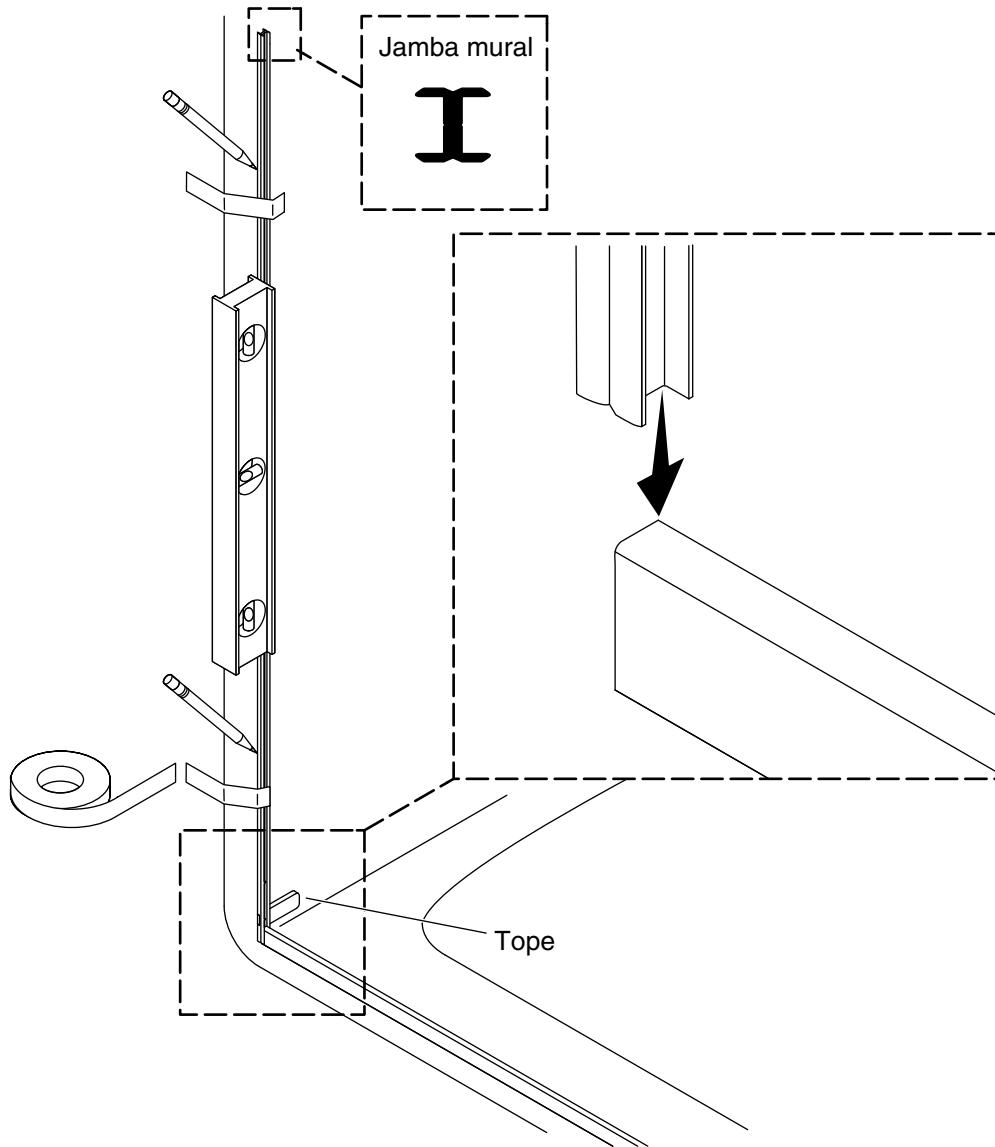
- De ser necesario, lime los extremos del umbral para igualarlos al radio de las esquinas de la pared de la ducha.
- Coloque el umbral de forma que quede a 1/8" (3 mm) a todo lo largo del reborde de la base de la ducha o de la bañera, y marque este lugar.
- Aplique sellador 100 % de silicona en la ranura en la parte inferior del umbral.
- Con cinta adhesiva sostenga con firmeza el umbral en su lugar a lo largo de la marca, centrado entre las paredes.



4. Prepare la primera jamba mural

¡IMPORTANTE! La jamba mural debe quedar justa contra el umbral y la pared.

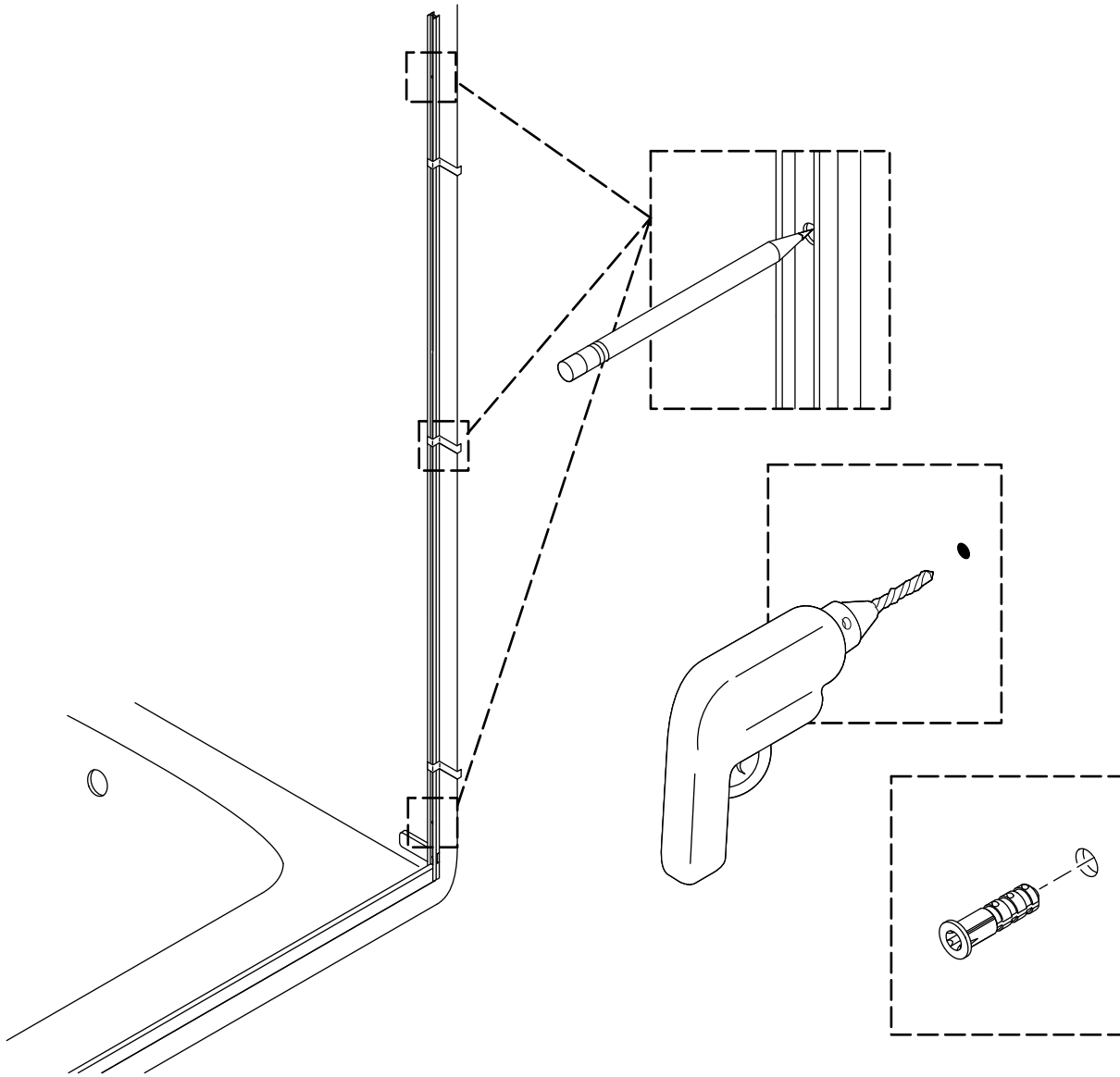
- Coloque la jamba mural en el umbral, contra la pared, con el tope hacia la ducha.
- De ser necesario, dé forma y lime la esquina inferior para que ajuste contra la pared de la ducha. Con una moneda igual y copie el radio de la esquina.
- Coloque la jamba mural a plomo.
- Pegue bien la jamba mural en su lugar con cinta adhesiva de enmascarar, y marque este lugar.



5. Coloque la segunda jamba mural

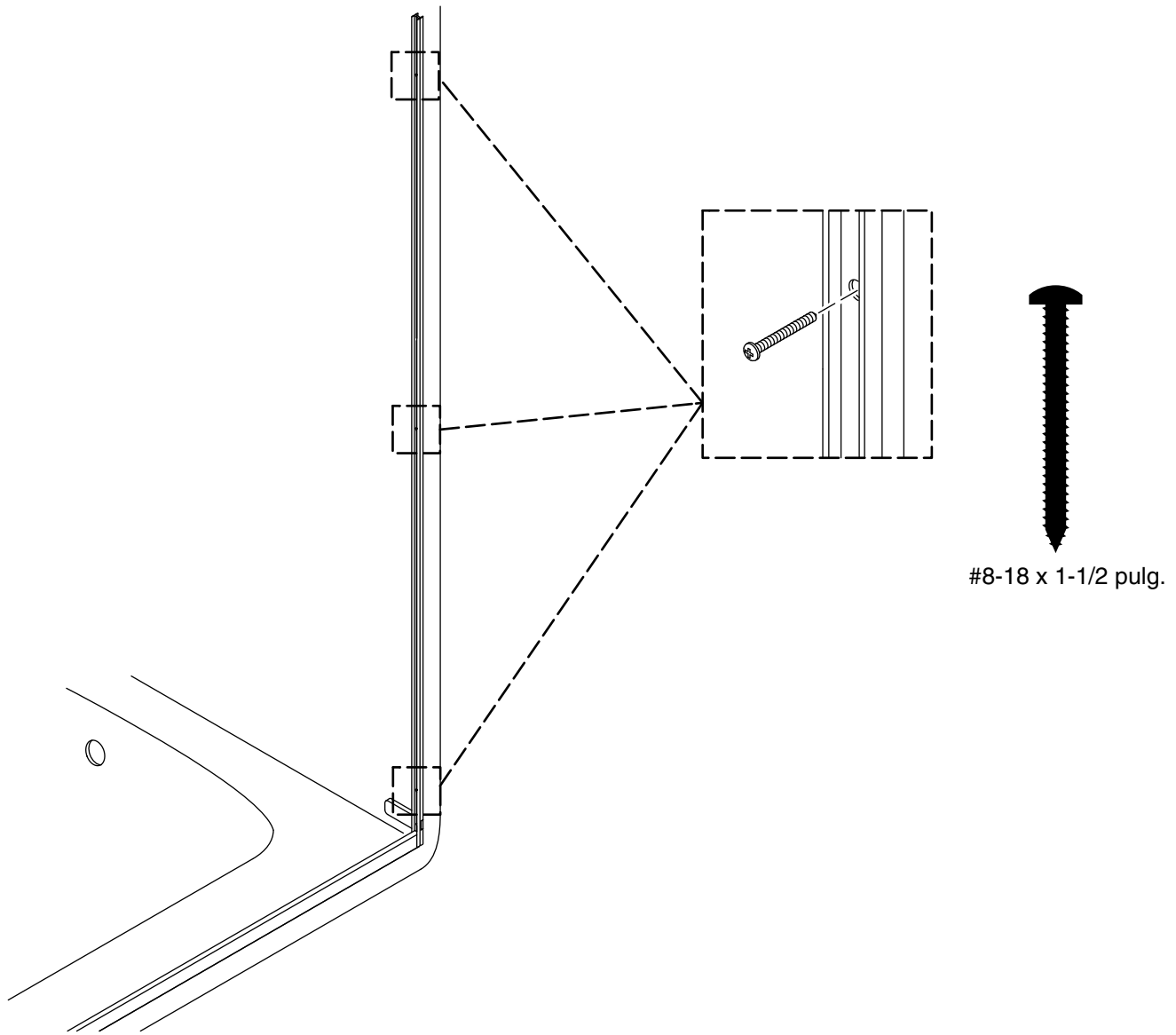
¡IMPORTANTE! La jamba mural debe quedar justa contra el umbral y la pared.

- Con el tope hacia la ducha, coloque la segunda jamba mural contra la pared y sobre el umbral en la pared opuesta de la ducha.
- De ser necesario, dé forma y lime la esquina inferior para que ajuste contra la pared de la ducha. Con una moneda iguale y copie el radio de la esquina.
- Coloque la jamba mural a plomo.
- Pegue bien la jamba mural en su lugar con cinta adhesiva de enmascarar, y marque este lugar.
- Asegúrese de que el umbral siga estando paralelo al frente de la base de la ducha/el reborde de la bañera.



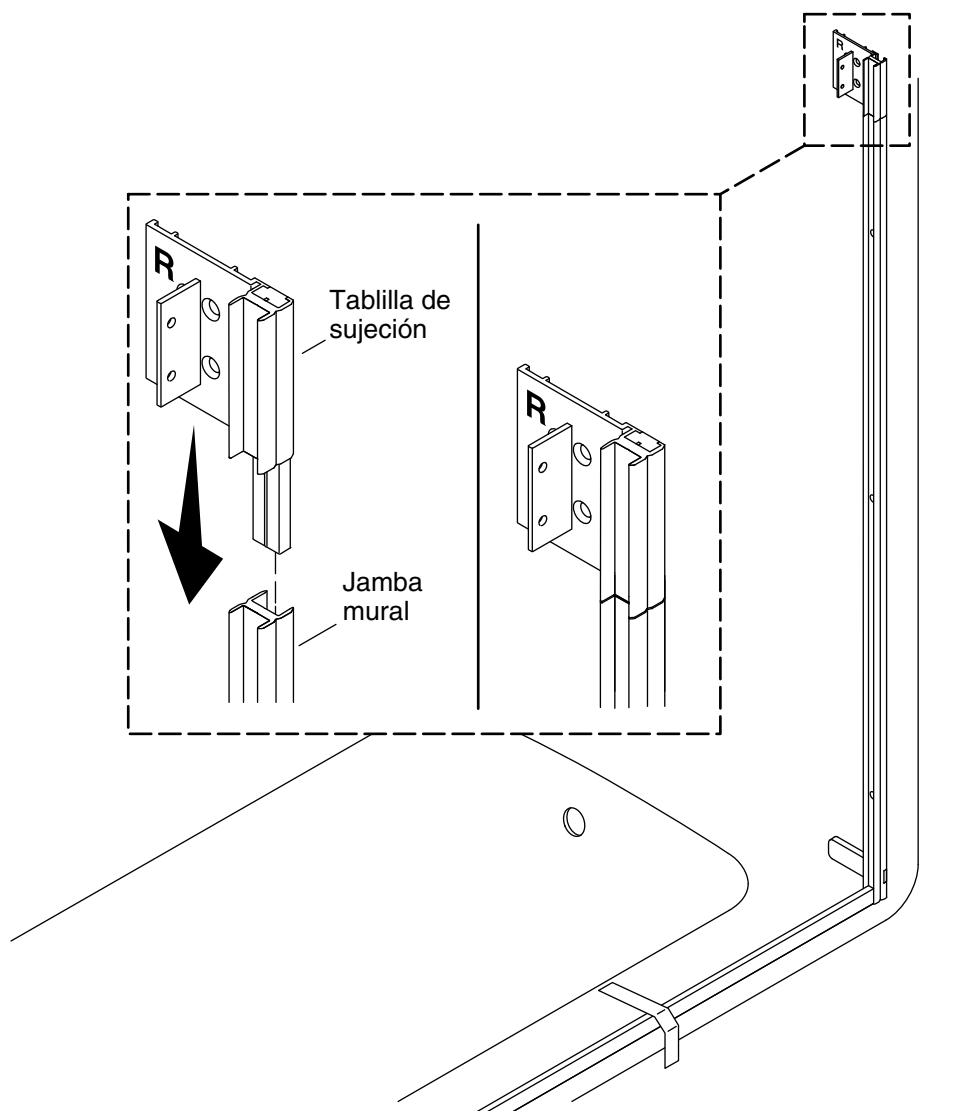
6. Marque los lugares de instalación de las jambas murales

- Marque con un lápiz los 3 lugares para los orificios de anclaje en cada jamba mural.
- Retire ambas jambas murales, y colóquelas a un lado.
- Taladre un orificio de 1/4 pulg. en cada lugar marcado. En paredes de azulejo use una broca para mampostería.
- Instale los anclajes de pared que se incluyen. De ser necesario, dé golpes ligeros a los anclajes hasta que queden al ras contra la pared.
- Limpie por completo la base de la ducha y las paredes.



7. Instale las jambas murales

- Vuelva a colocar la jamba mural, y colóquela alineada con los orificios de anclaje.
- Fije la jamba mural con tres tornillos #8-18 x 1-1/2".
- Repita este procedimiento con la segunda jamba mural.



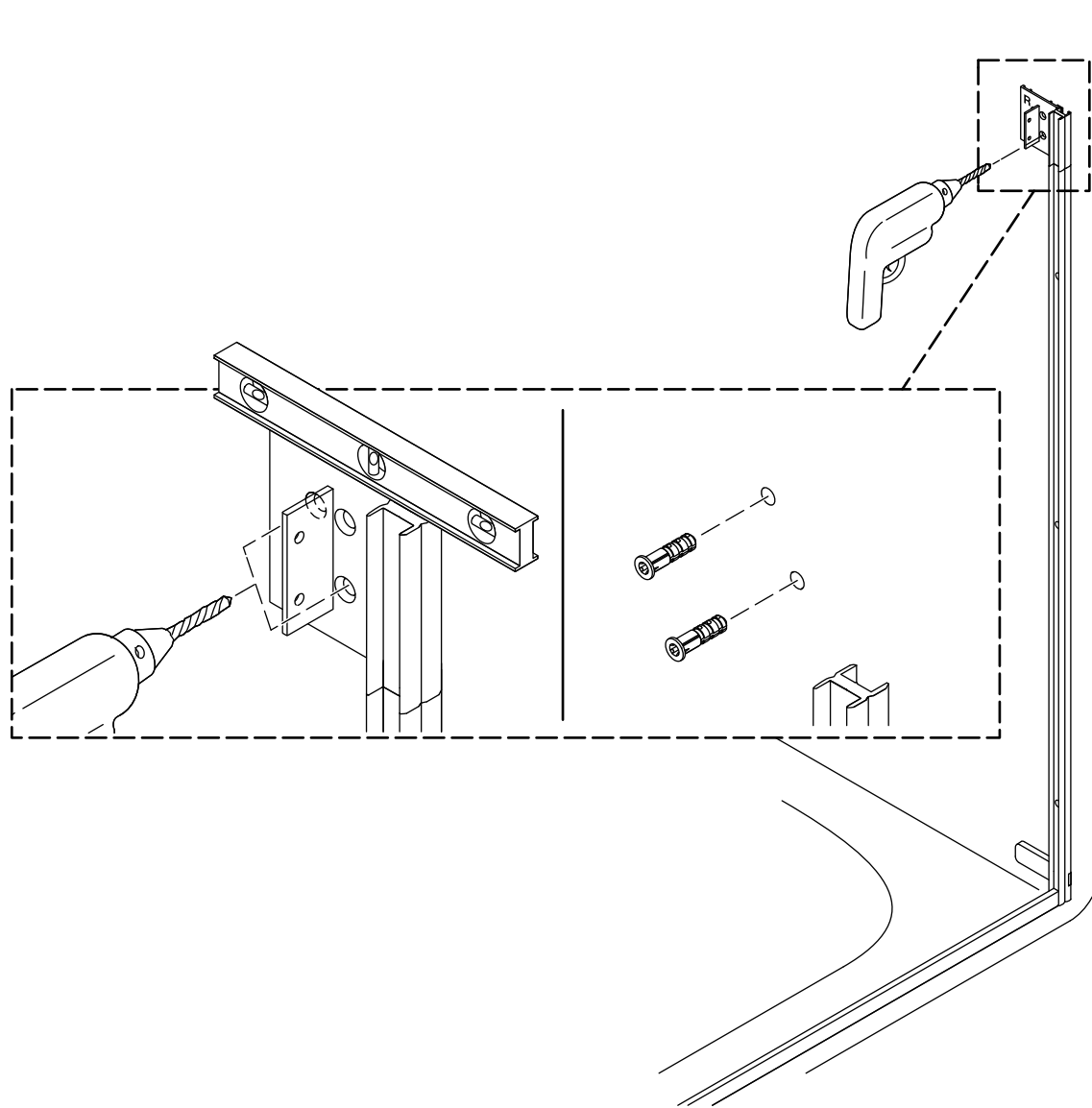
8. Coloque las tablillas de sujeción

AVISO: Hay una tablilla de sujeción izquierda (marcada con "L") y una derecha (marcada con "R"). Colóquelas de forma que queden dentro del área de la ducha.

- Deslice la tablilla de sujeción en la canaleta entre la jamba mural y la pared.

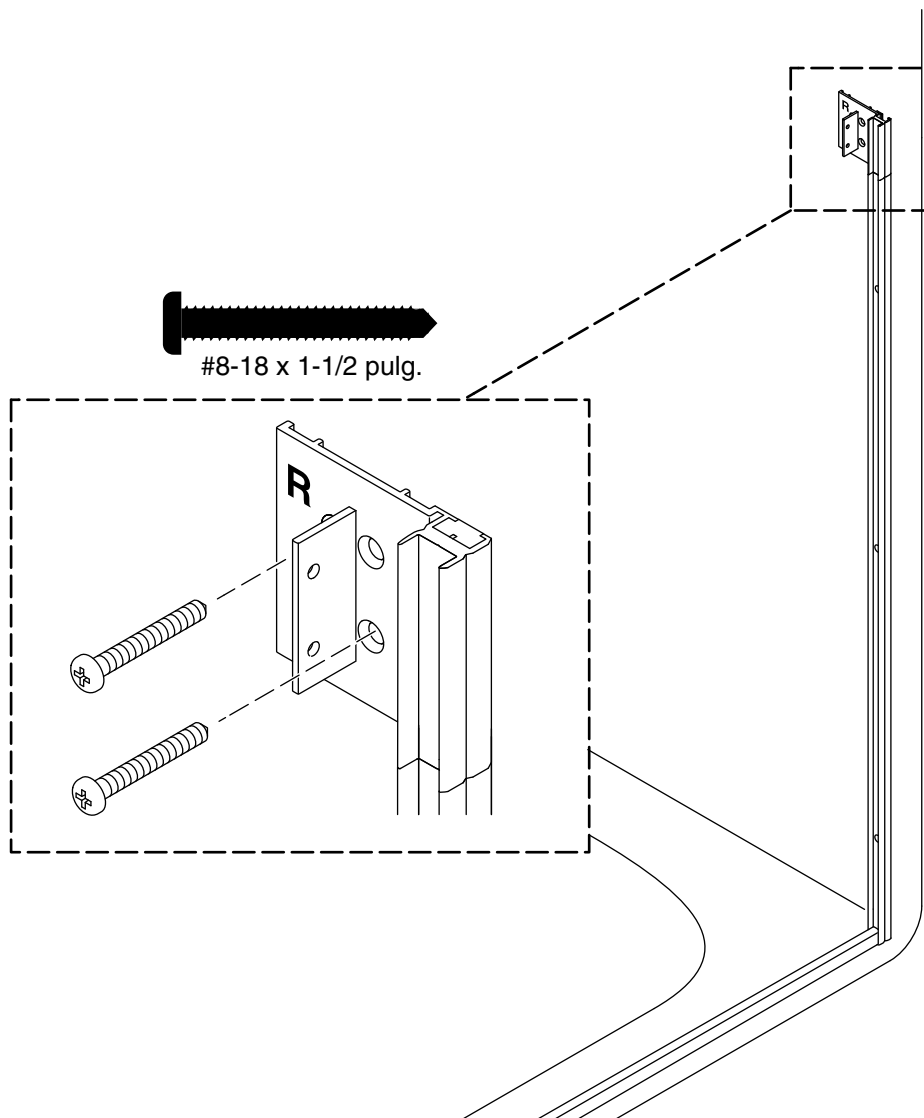
AVISO: La tablilla de sujeción debe quedar nivelada y en contacto contra la pared.

- Asegúrese de que la tablilla de sujeción quede al ras de la parte superior de la jamba mural.
- Repita el procedimiento con la segunda tablilla de sujeción.



9. Instale los anclajes de pared para las tablillas de sujeción

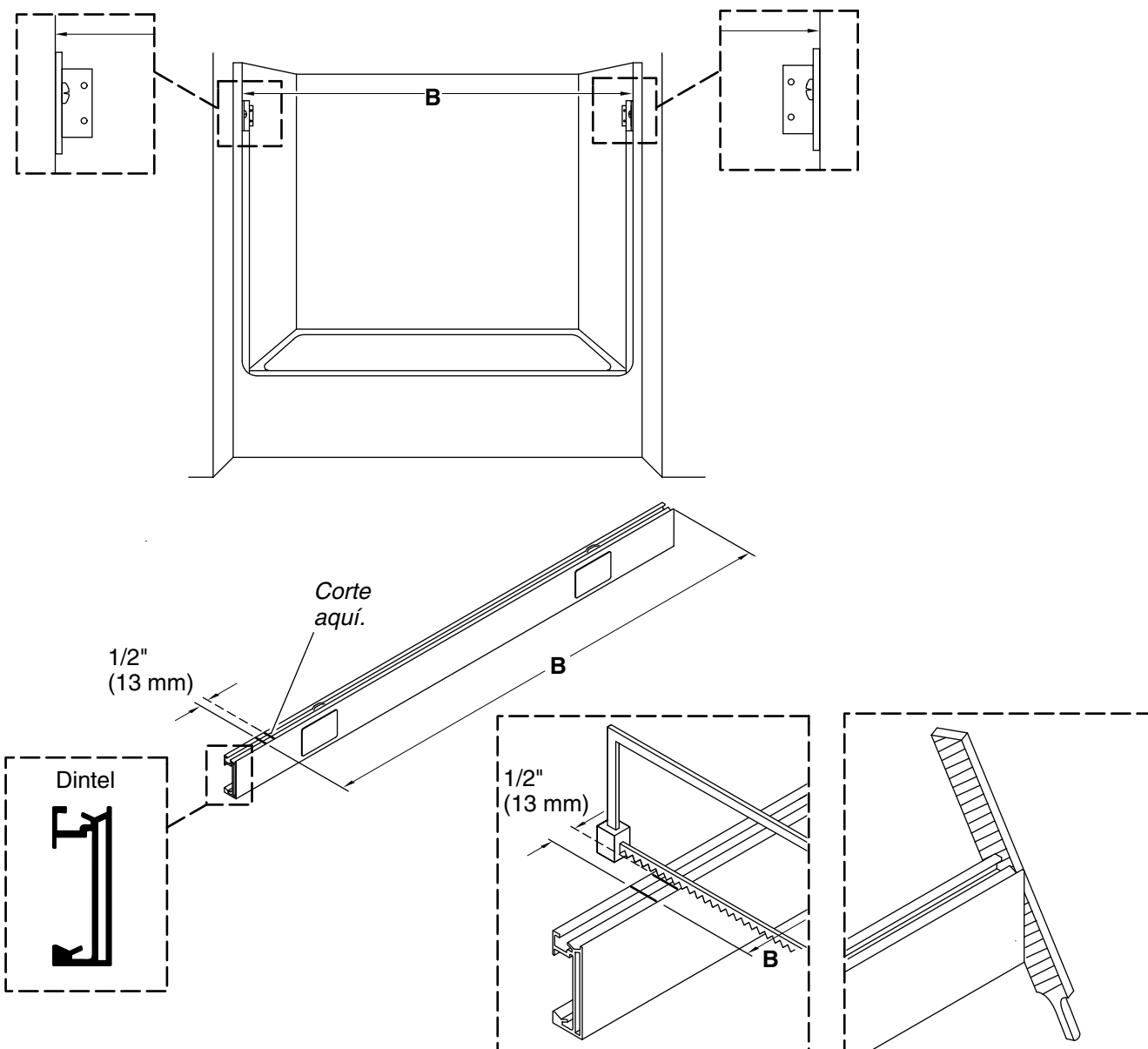
- Sostenga con firmeza en su lugar la tablilla de sujeción bien nivelada, y úsela como guía para taladrar en la pared 2 orificios diagonales opuestos de 1/4 pulg. Por ejemplo, superior izquierdo e inferior derecho.
- Retire la tablilla de sujeción e instale los anclajes de pared provistos. De ser necesario, dé golpes ligeros a los anclajes hasta que queden bien asentados contra la pared.
- Repita el procedimiento con la segunda tablilla de sujeción.
- Limpie por completo la base o el piso de la ducha, el reborde y la pared.



10. Fije las tablillas de sujeción

- Fije cada una de las tablilla de sujeción a la pared con dos tornillos #8-18 x 1-1/2".
- Verifique que las tablillas de sujeción queden niveladas. Afloje los tornillos y ajuste la posición de las tablillas de sujeción, si es necesario.

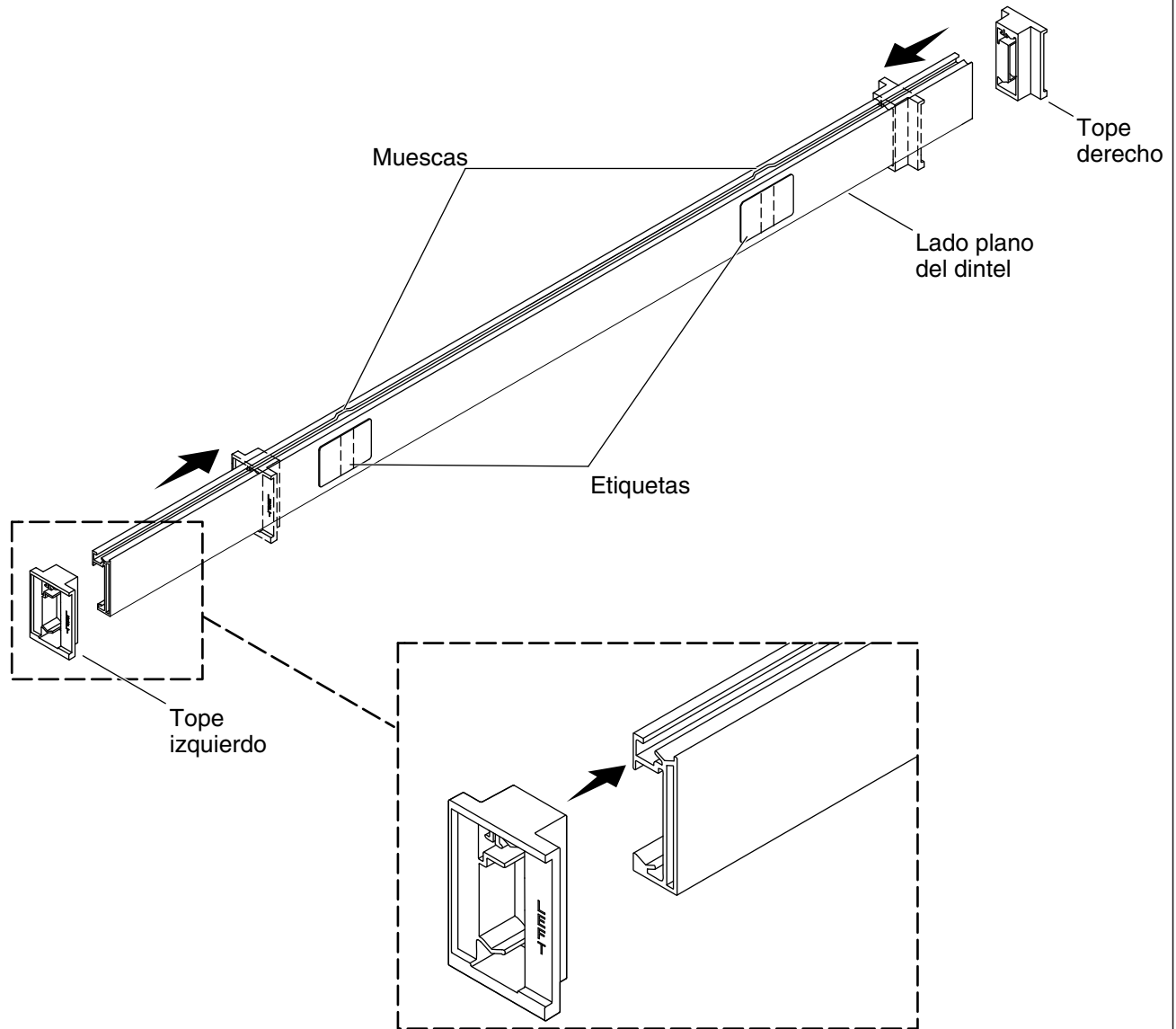
AVISO: Puede usarse el segundo juego de orificios si alguna de las tablillas de sujeción no queda bien nivelada. De ser necesario, repita la sección "Instale los anclajes de pared para las tablillas de sujeción".



11. Mida y corte el dintel

¡IMPORTANTE! Confirme sus medidas antes de cortar. **No corte el dintel demasiado corto.**

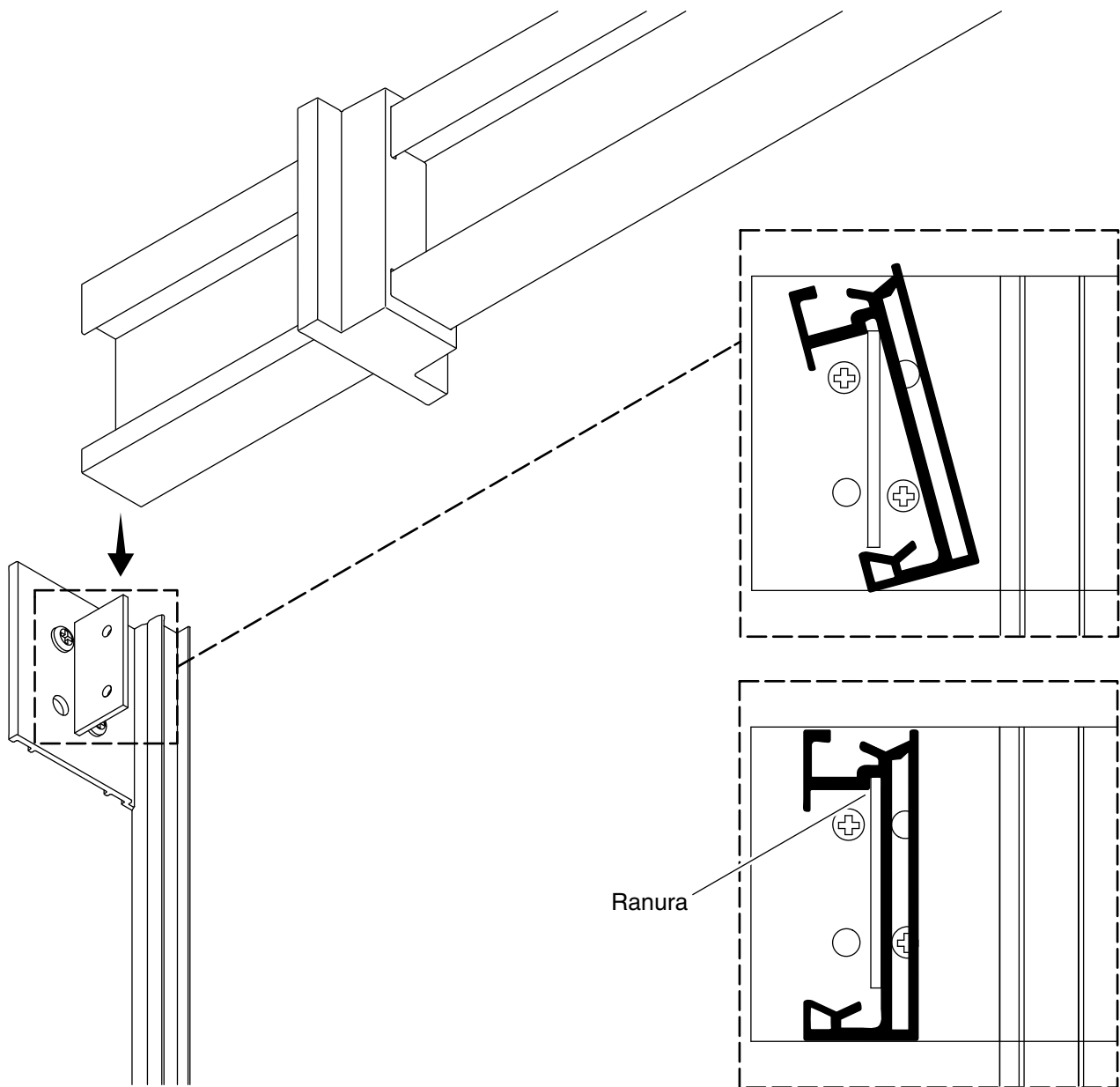
- Mida la distancia "B" entre las paredes, y márquela en el dintel.
- Mida 1/2" (13 mm) a partir de la marca "B" y haga una segunda marca en el dintel, como se indica.
- Corte el dintel en la segunda marca.
- Lime los bordes ásperos y limpie los desperdicios de los carriles de las rueditas.



12. Instale los topes al dintel

AVISO: Las palabras “LEFT” (izquierdo) y “RIGHT” (derecho) están moldeadas en los topes.

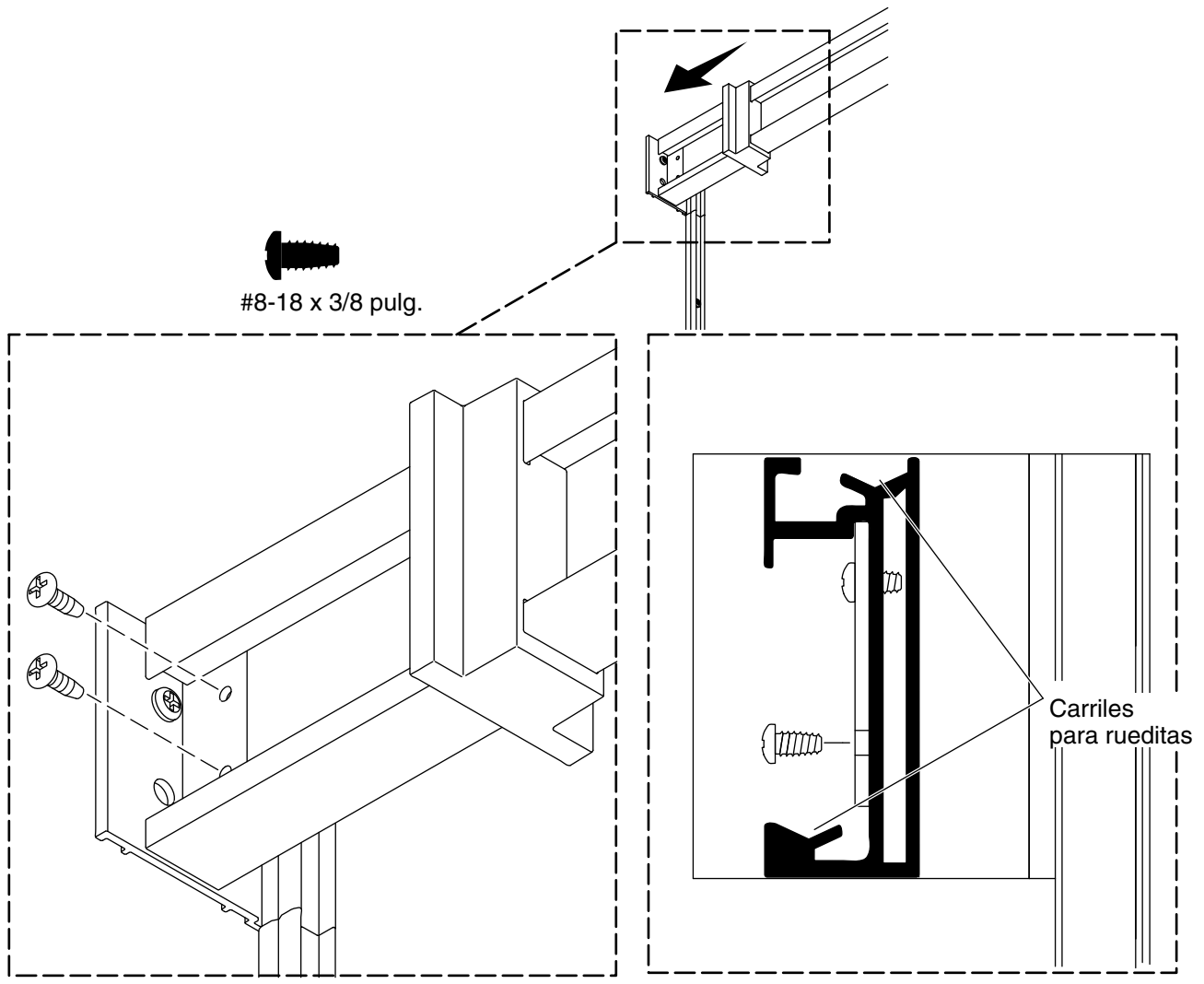
- Busque las etiquetas en el dintel, y observe cómo se alinean con las muescas en la parte superior.
- Con las etiquetas en el dintel hacia usted, identifique los extremos izquierdo y derecho del dintel.
- Deslice el tope apropiado en cada uno de los extremos del dintel, y muévalos hacia el centro.



13. Coloque el dintel en su lugar

AVISO: Las etiquetas en el dintel deben quedar hacia el exterior de la ducha.

- Desde el interior de la ducha, levante el dintel sobre las tablillas de sujeción.
- Incline el dintel y bájelo a las tablillas de sujeción, como se muestra.
- La parte superior de la tablillas de sujeción debe quedar en la parte superior de la ranura interior del dintel, como se muestra.
- Gire el dintel a su lugar hasta que quede plano contra las tablillas de sujeción.

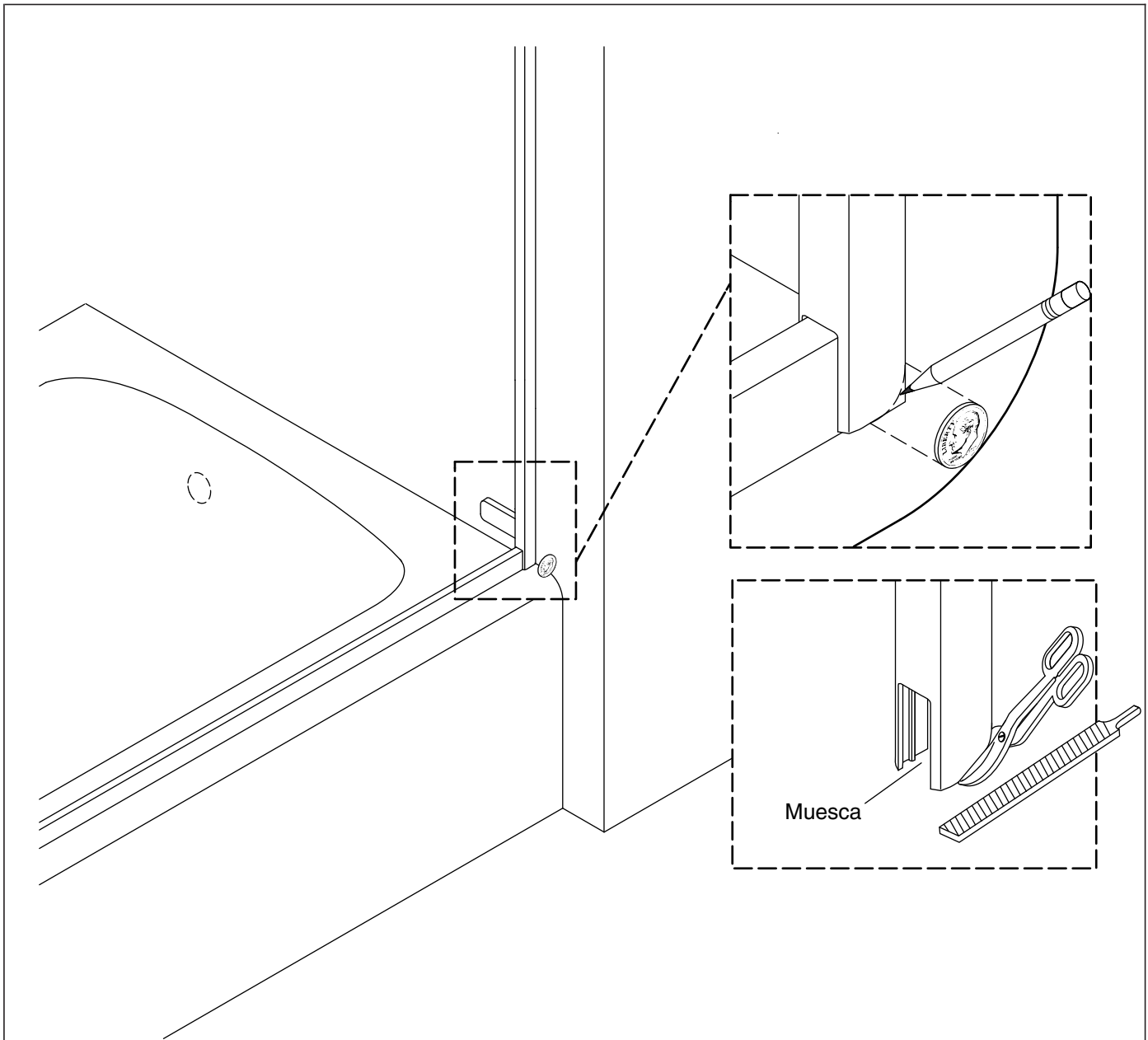


14. Fije el dintel

- Desde el interior de la ducha, fije el dintel a cada tablilla de sujeción con dos tornillos autorroscantes #8-18 x 3/8".

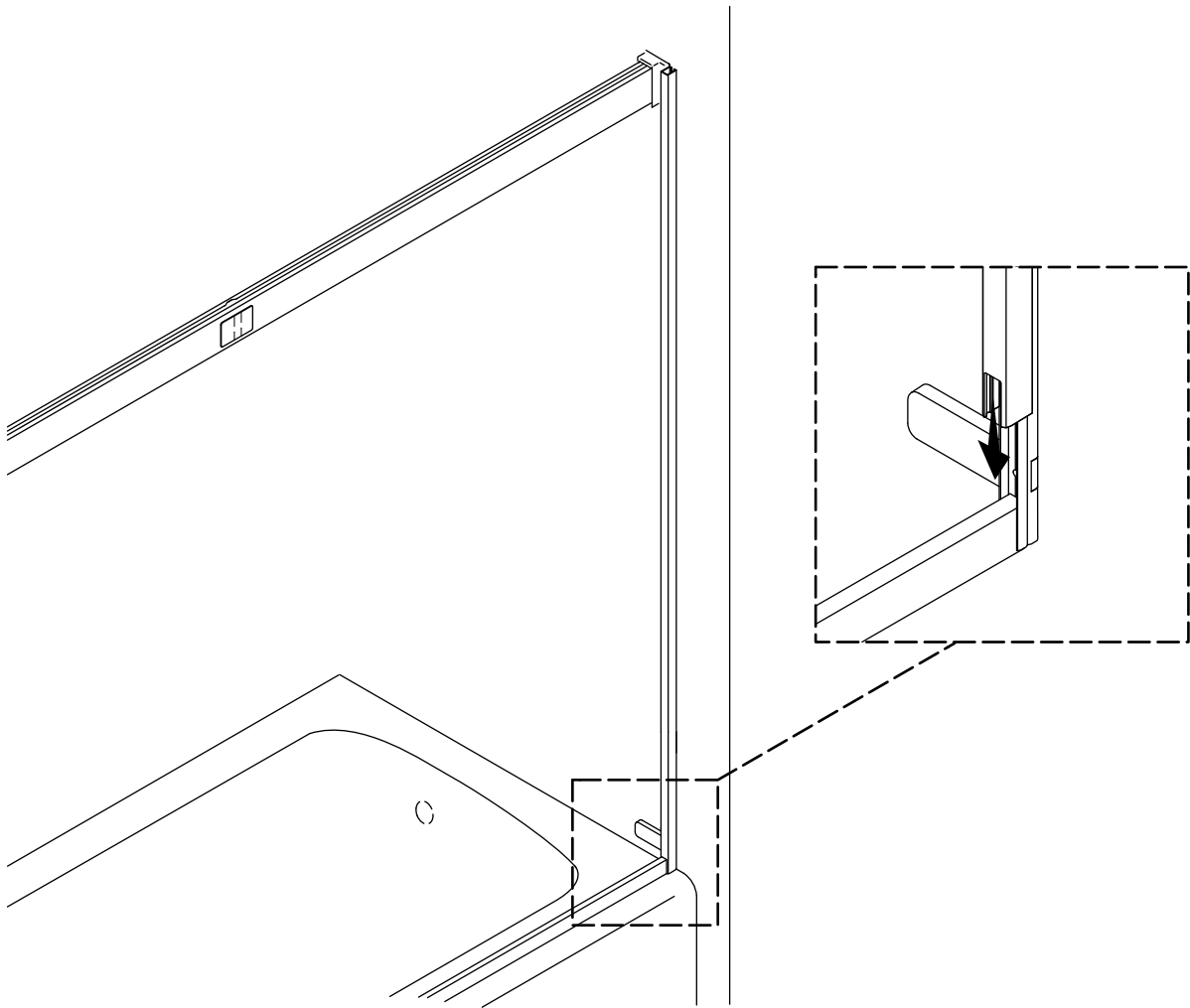
NOTA: No es necesario taladrar orificios con anticipación si se usan tornillos autorroscantes.

- Con cuidado limpie muy bien el dintel. Asegúrese de que no haya desechos en los carriles para las rueditas.
- Deslice los topes a que queden al ras contra cada una de las paredes.



15. Dé forma a las cubiertas de jambas murales

- De ser necesario, dé forma y lime la esquina inferior de la cubierta de la jamba mural para que quede igual al radio de la esquina de la pared de la ducha.
- Repita este procedimiento con la segunda cubierta de jamba mural.

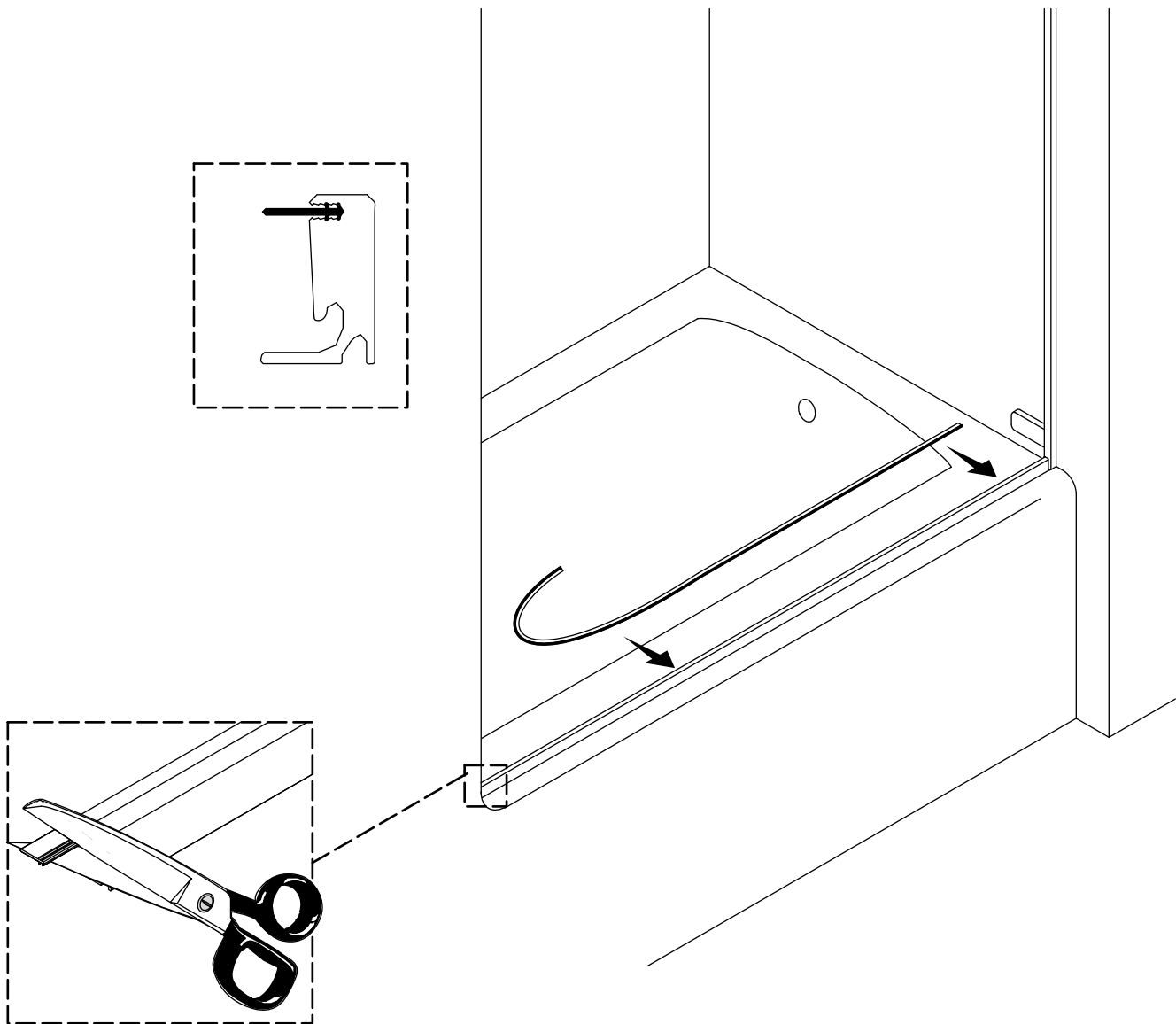


16. Instale las cubiertas de jambas murales

- Coloque la muesca en la cubierta de la jamba mural sobre el umbral.
- Presione la cubierta de la jamba mural contra la jamba mural.

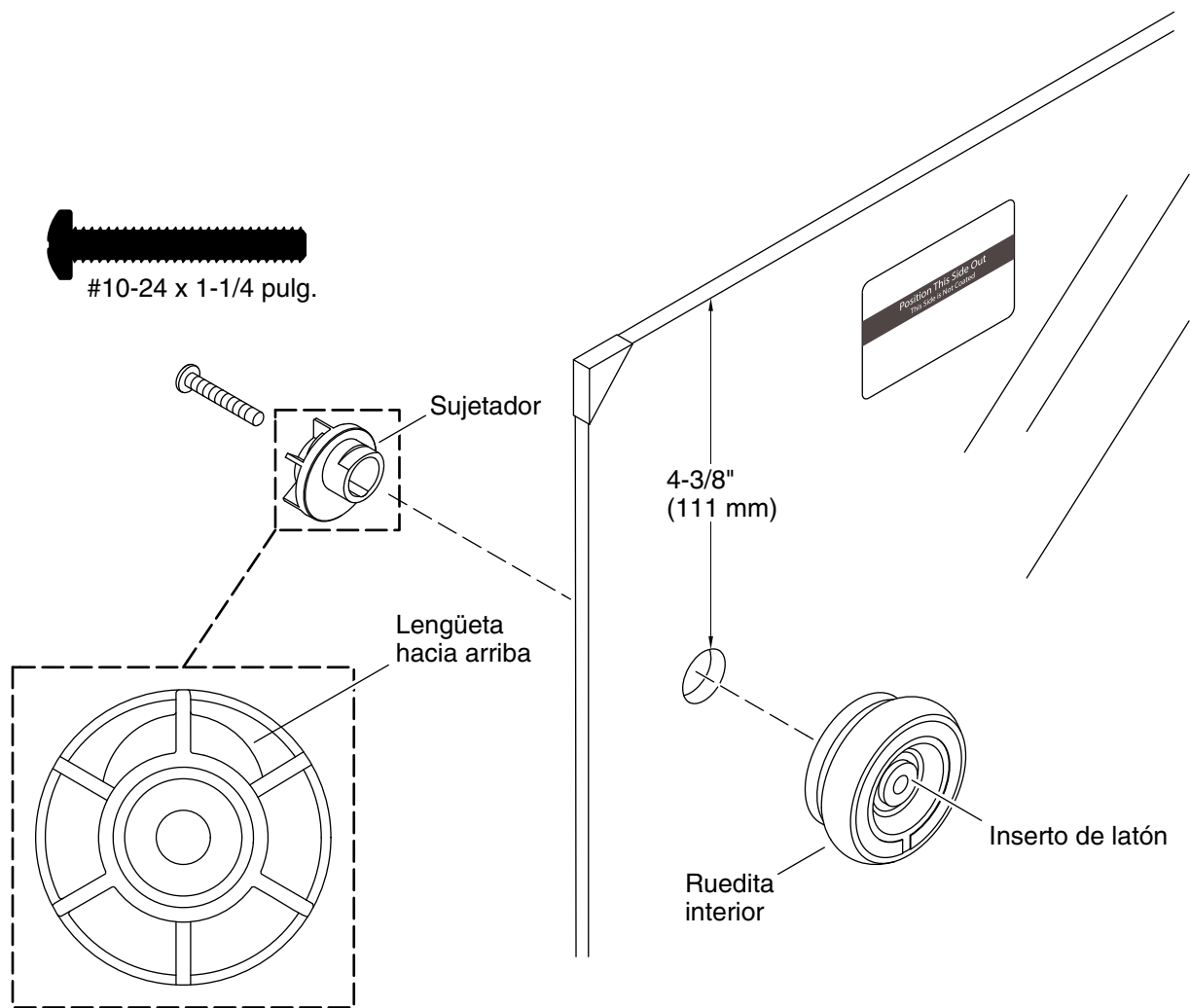
AVISO: Las cubiertas de las jambas murales no quedan al ras contra la pared.

- Repita este procedimiento con la segunda cubierta de jamba mural.



17. Instale el sello del umbral

- Comenzado en un extremo, empuje el sello del umbral por completo en la ranura del umbral, como se muestra.
- Con unas tijeras recorte el exceso de longitud del sello del umbral.

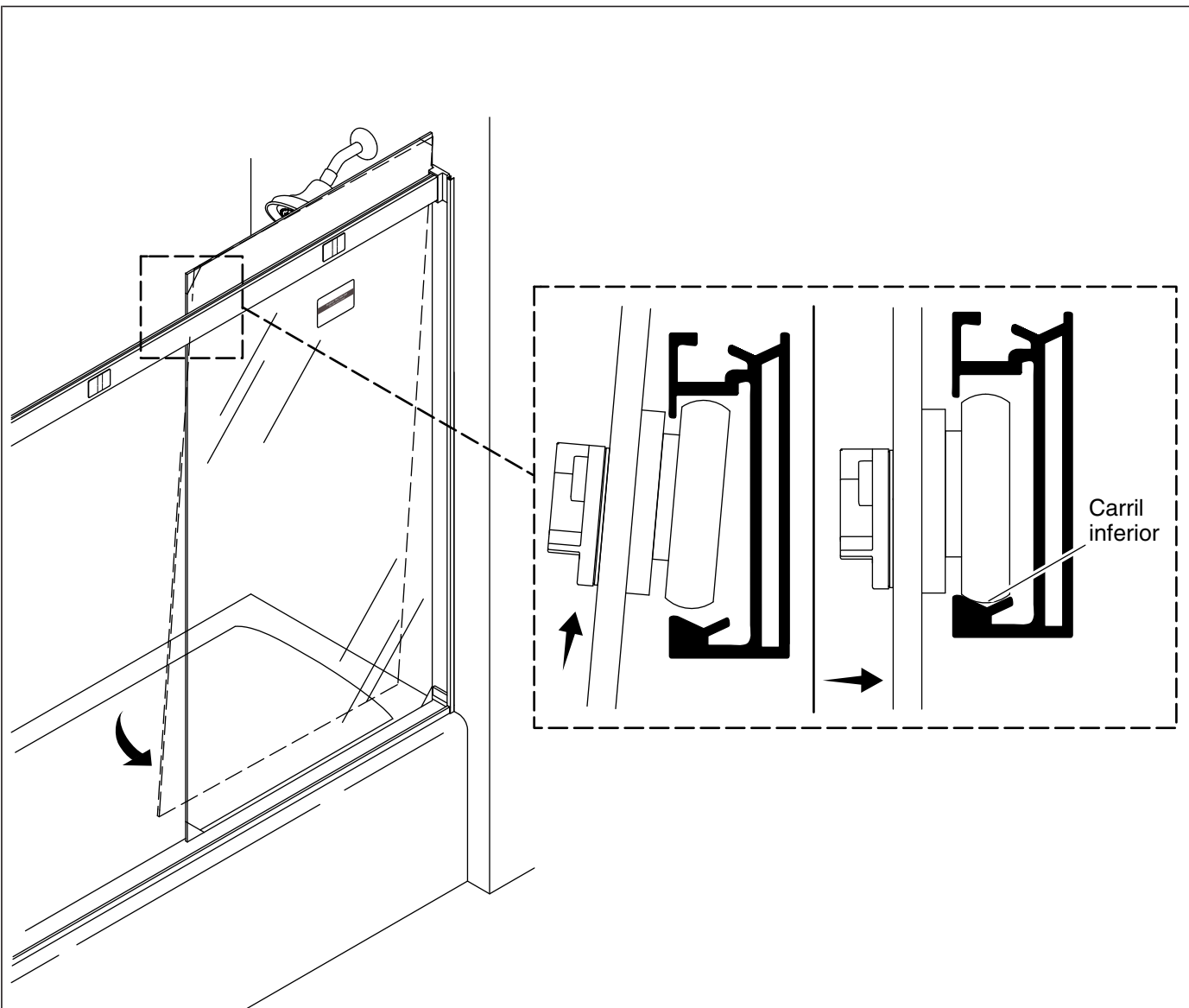


18. Ensamble el panel interior

AVISO: Los orificios de montaje para las rueditas del panel interior quedan 4-3/8" (111 mm) abajo de la parte superior del panel.

AVISO: Las rueditas del panel interior tienen un inserto de latón.

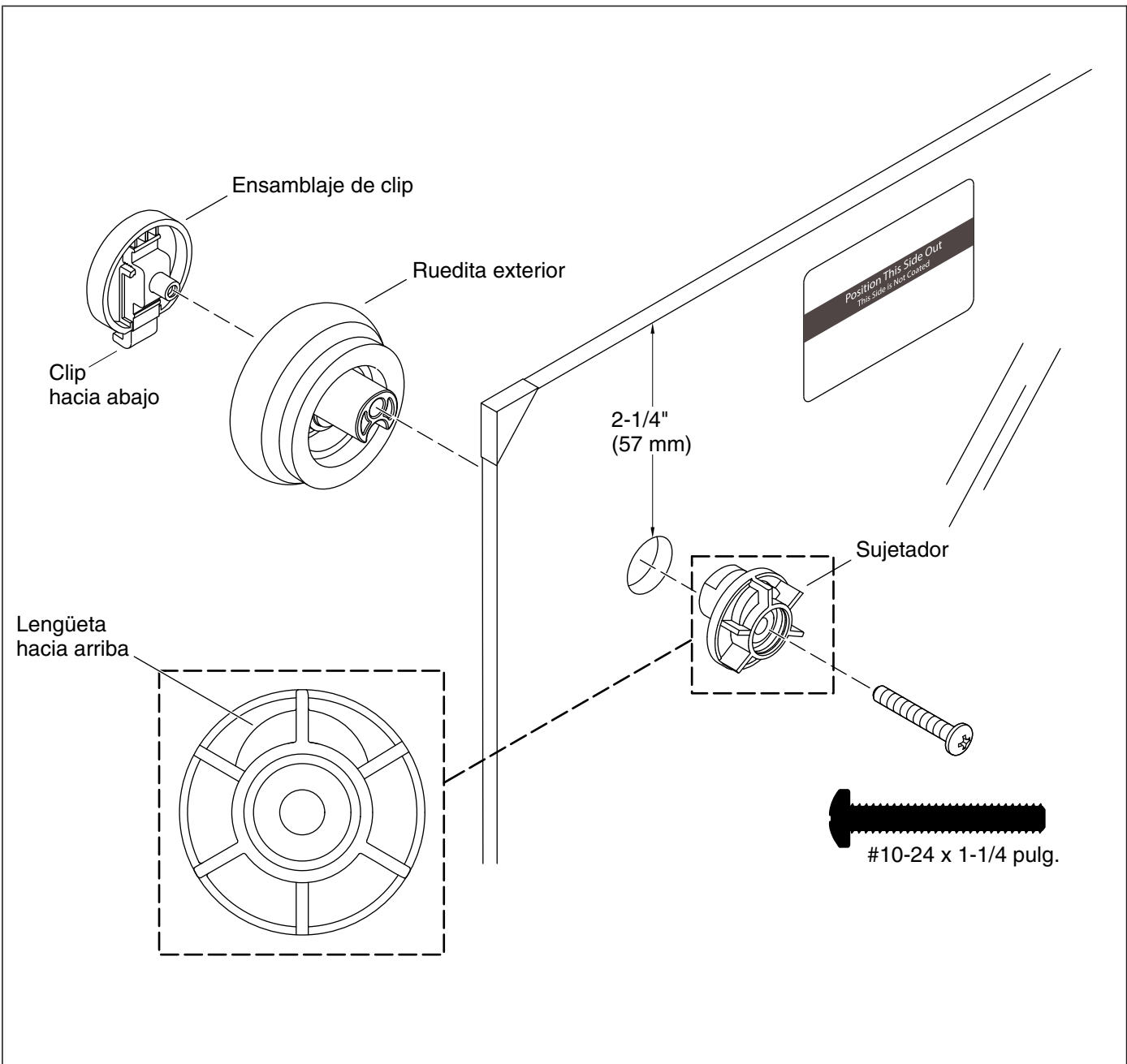
- Coloque cada una de las rueditas en el mismo lado del panel que lleva la etiqueta.
- Instale cada una de las rueditas interiores con la lengüeta en la parte superior. Esto coloca la puerta en su ajuste más alto, lo que facilita hacer los ajustes que sean necesarios.
- Fije cada ruedita con un tornillo #10-24 x 1-1/4".
- Con un destornillador manual solamente, apriete **bien** los tornillos.



19. Instale el panel interior

NOTA: Las rueditas y la etiqueta quedan hacia el exterior de la ducha.

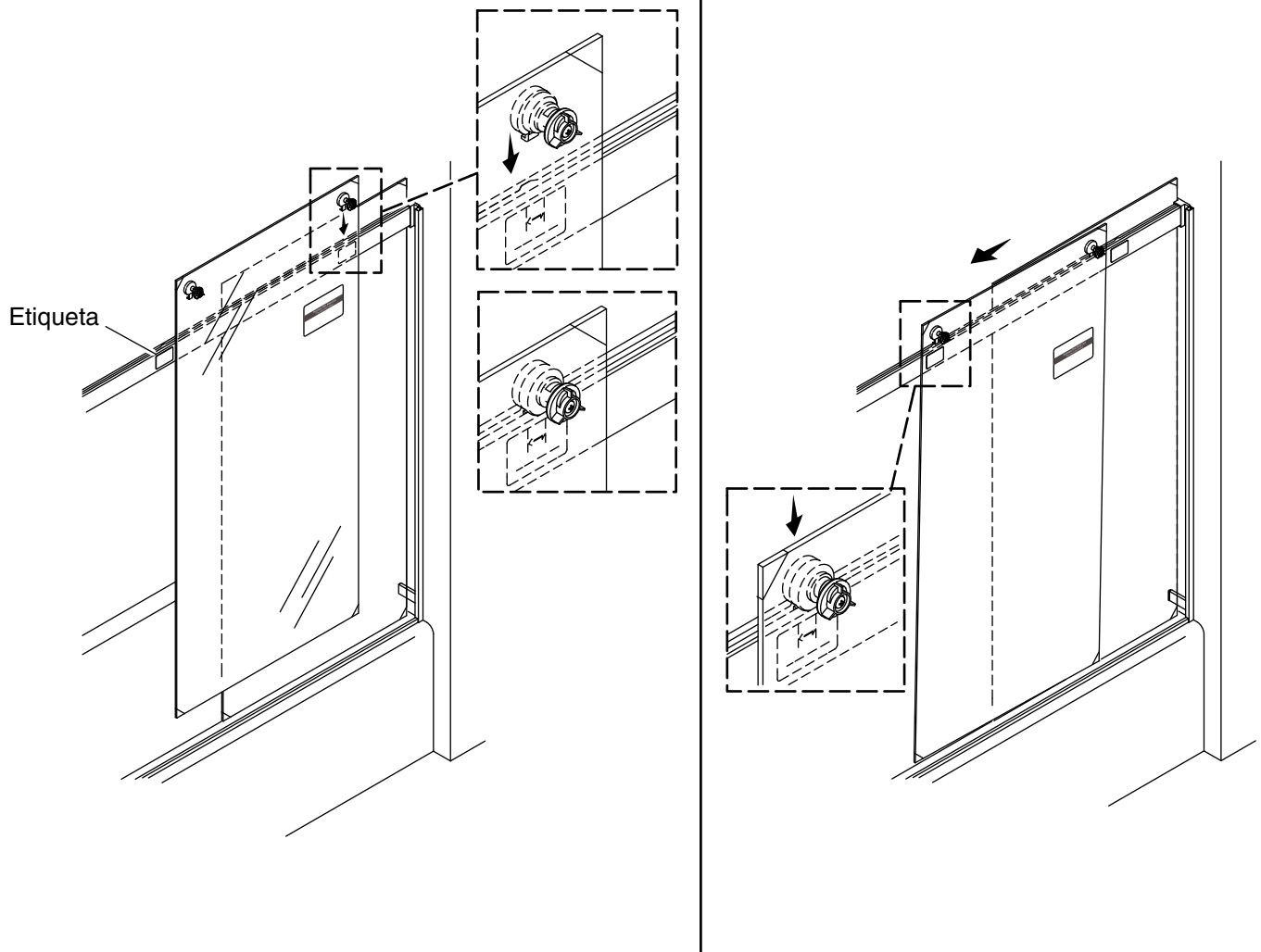
- Con ayuda, mueva el panel interior por completo hacia el área de la ducha.
- Con ayuda, desde el interior de la ducha, incline el panel a que la parte superior de las rueditas queden dentro del dintel. Deje descansar las rueditas en el carril inferior del dintel, y coloque el panel en su lugar.
- Asegúrese de que el panel pueda correr en ambas direcciones sin dificultades. De ser necesario, ajuste las rueditas de acuerdo a las instrucciones en la sección "Ajuste las rueditas".



20. Ensamble el panel exterior

AVISO: Los orificios de montaje para las rueditas del panel exterior quedan 2-1/4" (57 mm) abajo de la parte superior del panel.

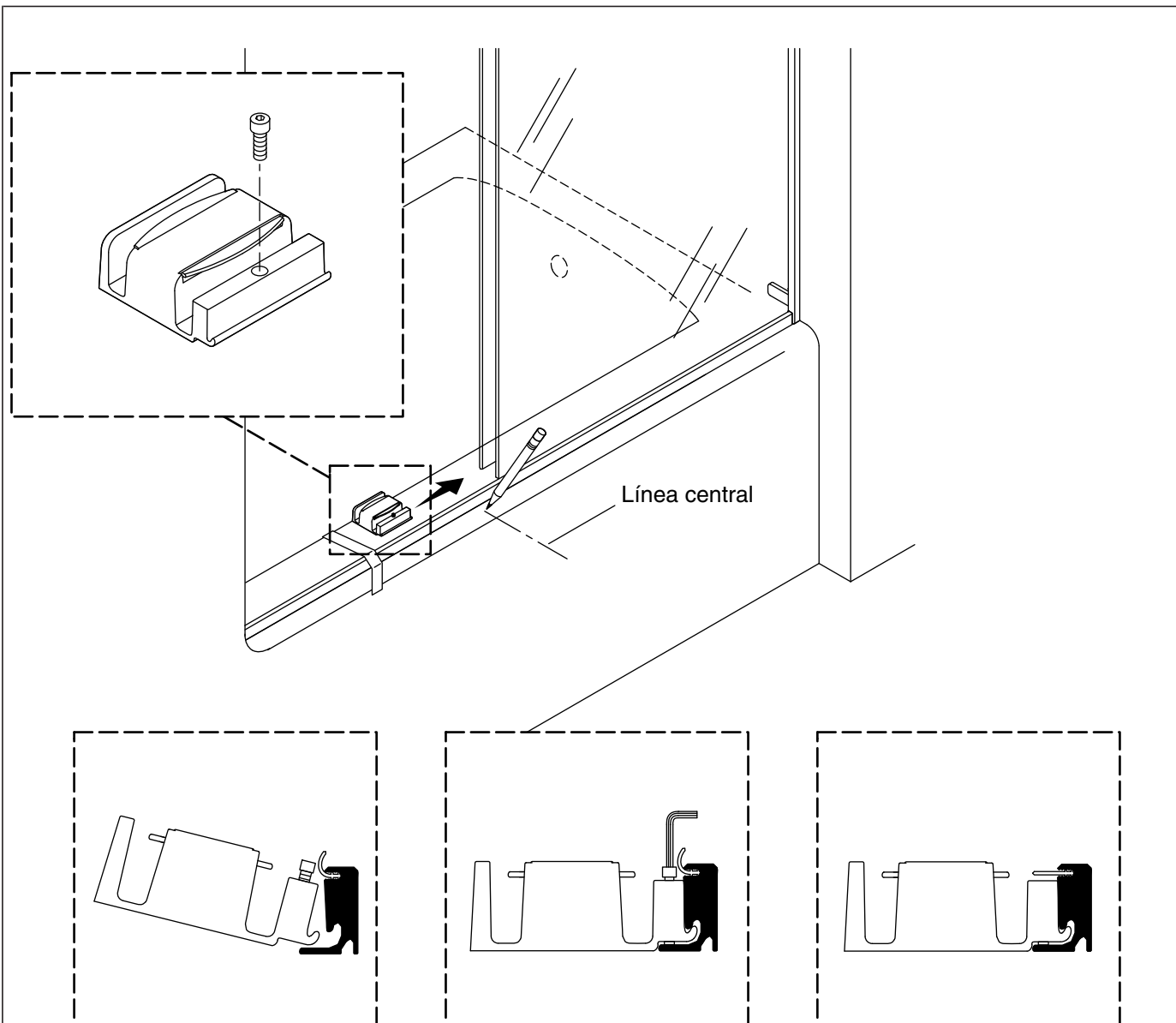
- Coloque cada una de las rueditas en lado opuesto del panel que lleva la etiqueta.
- Instale las rueditas exteriores con la lengüeta en la abrazadera apuntando hacia arriba.
- Fije cada ruedita con un tornillo #10-24 x 1-1/4".
- Sustenga el clip hacia abajo mientras aprieta el tornillo.
- Con un destornillador manual solamente, apriete **bien** los tornillos hasta que no sea posible hacer girar los clips con la mano.



21. Instale el panel exterior

AVISO: Busque las muescas en el dintel, que están alineadas con las etiquetas que dicen "Panel Installation Area" (área de instalación del panel).

- Con ayuda, desde el exterior de la ducha, levante el panel, alinee un clip de ruedita con una muesca, y coloque la ruedita en el carril para rueditas.
- Levante el extremo opuesto del panel, de forma que la segunda ruedita quede arriba del dintel. Deslice el panel para alinear el clip de la segunda ruedita con la segunda muesca. Coloque la ruedita en el carril para rueditas.



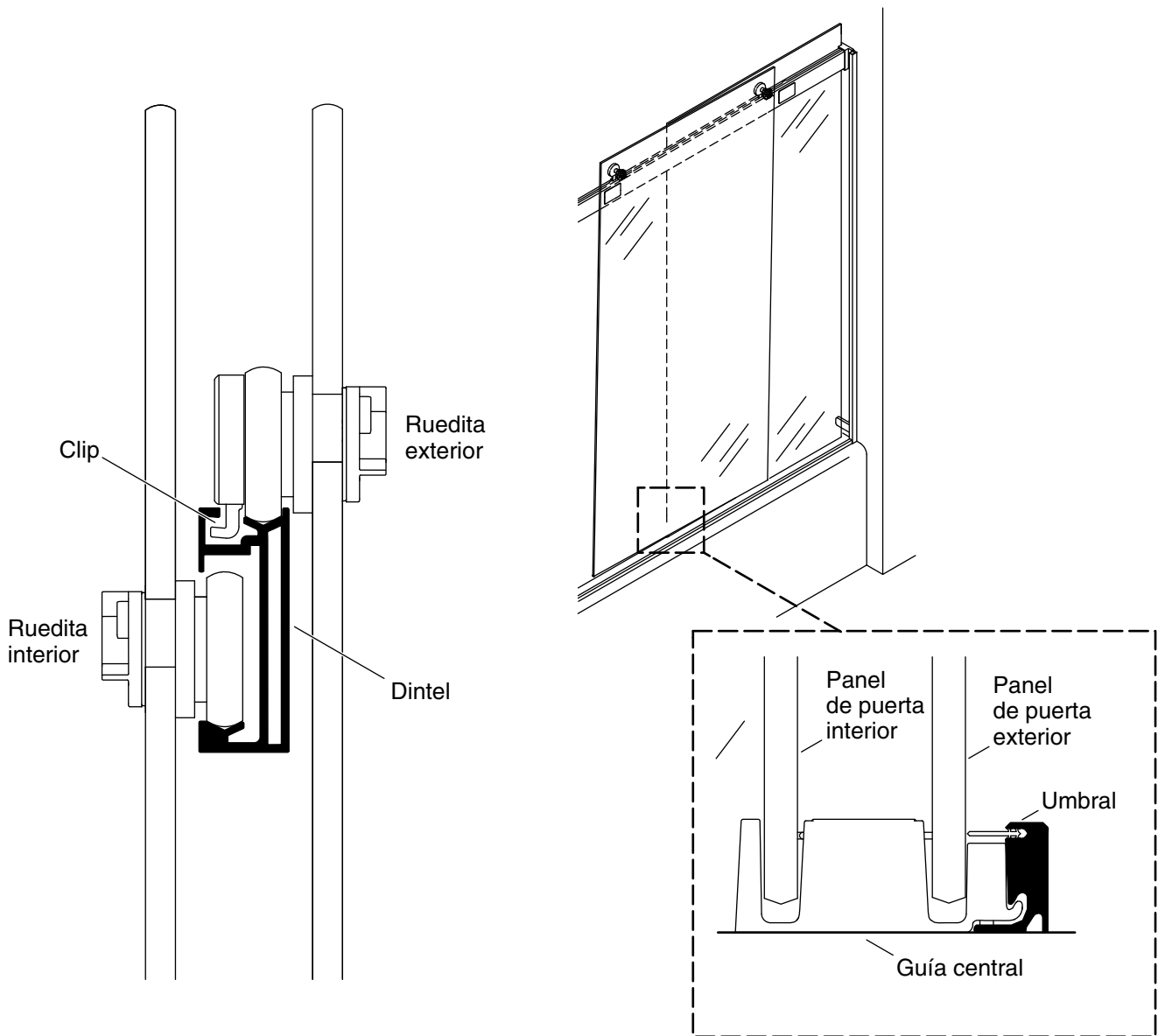
22. Instale la guía central

¡IMPORTANTE! La guía central debe quedar bien asentada por completo detrás del labio del umbral, como se muestra.

- Mueva ambos paneles de puerta a un extremo de la ducha.
- Atornille el tornillo parcialmente en el orificio de la guía central. Asegúrese de que el extremo del tornillo no sobresalga por el lado inferior de la guía central.
- Mida y marque la línea central del umbral en el lado exterior de la base de la ducha o del reborde de la bañera.
- Gire la guía central a su lugar en la ranura del umbral, como se muestra.
- Deslice la guía central en el umbral hasta que el tornillo quede alineado con la marca de la línea central.
- Deslice los paneles de puerta a los canales de la guía central.

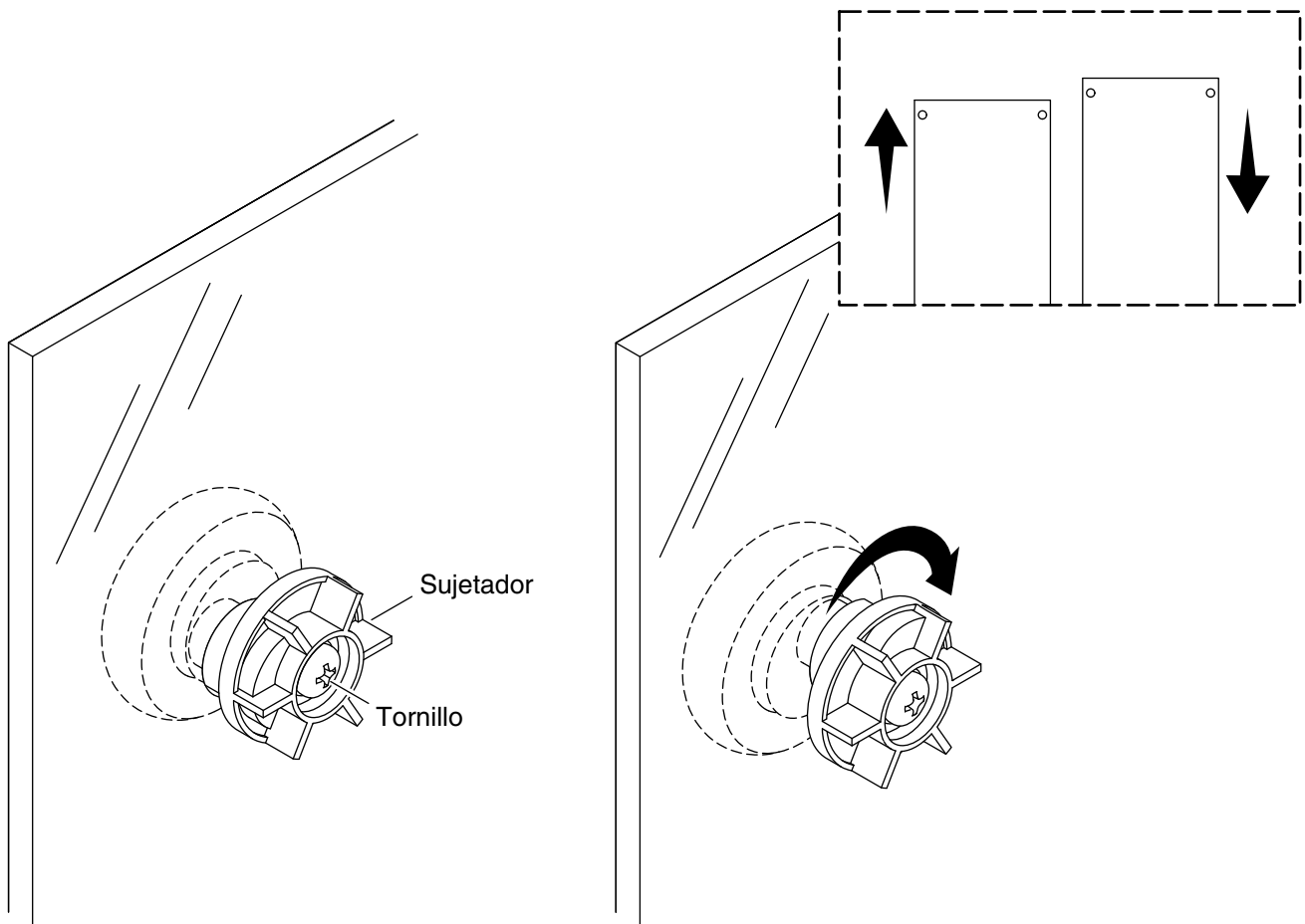
Instale la guía central (cont.)

- Levante el sello del umbral para obtener acceso al tornillo. Apriete a mano el tornillo con una llave hexagonal de 5/32 pulg., y luego apriete una media vuelta adicional.



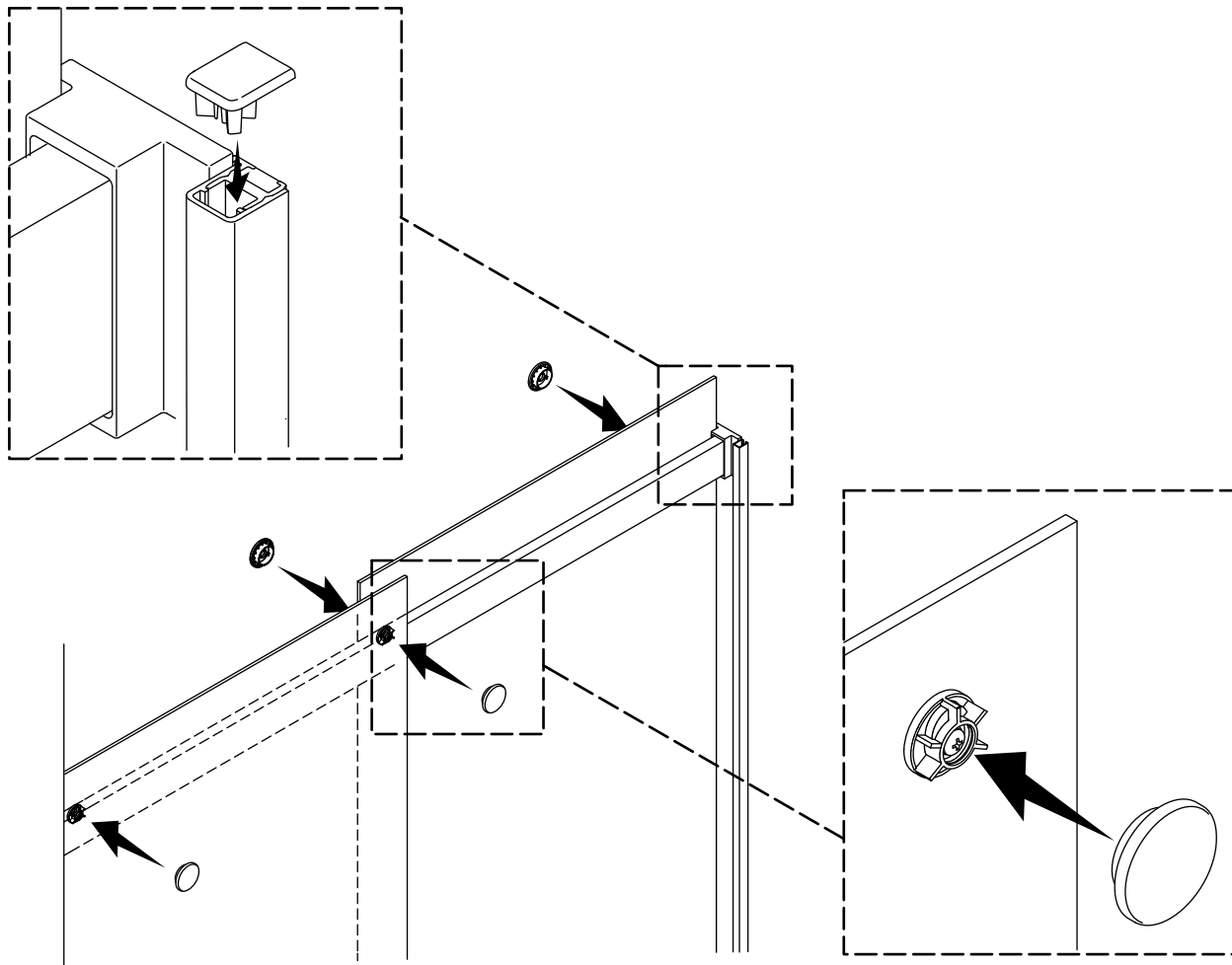
23. Verifique la instalación

- Confirme que todas la rueditas estén dentro de los carriles del dintel.
- La parte superior de las rueditas del panel interior deben estar dentro del dintel.
- Los clips en las rueditas del panel exterior deben estar dentro del borde superior del dintel. No deben quedar a la vista.
- La parte inferior de los paneles de puerta deben estar dentro de las canaletas de la guía central.
- La guía central debe quedar bien fija al umbral.



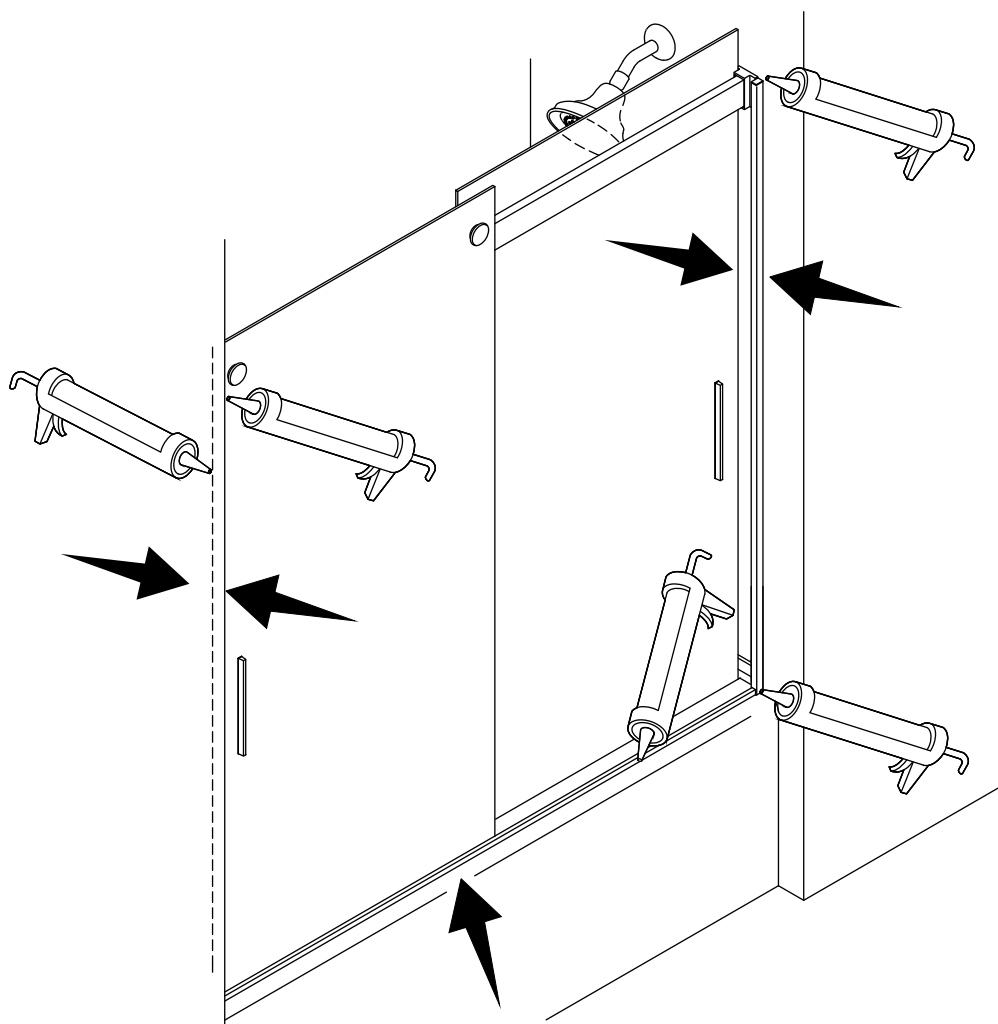
24. Ajuste las rueditas

- Es posible que las rueditas requieran ajustes si algún panel no se mueve, si suena a que se arrastra al moverlo, o si un tope superior o inferior no hace contacto al cerrar.
- Para ajustar la alineación de cada uno de los extremos del panel, afloje los tornillos y haga girar la abrazadera de ajuste.
- Al ajustar el panel exterior, sostenga la cubierta del clip recta mientras aprieta bien los tornillos de forma que el clip no se arrastre en su carril.
- Repita hasta que la puerta funcione sin problemas y quede alineada pareja con las paredes de la ducha.
- Confirme que los clips sigan orientados correctamente (consulte la sección "Verifique la instalación"). Apriete **bien** los tornillos.



25. Instale las tapas

- Encaje una tapa en su lugar en cada una de las cuatro rueditas.
- Oprima una tapa en la parte superior de cada jamba mural.



26. Aplique sellador 100 % de silicona

- Instale el toallero de barra o la manija de acuerdo a las instrucciones que se entregan por separado.
- Aplique sellador 100 % de silicona a lo largo de las jambas murales en el interior y exterior de la ducha o de la bañera, y a lo largo del borde exterior del umbral.

Resolución de problemas

Esta guía de resolución de problemas está diseñada únicamente como ayuda general. Si tiene preguntas con respecto al servicio o a la instalación, llame al 1-800-4-KOHLER.

Resolución de problemas

Síntomas	Causa probable	Acción recomendada
1. La puerta hace ruido cuando se abre o se cierra.	<p>A. El clip de alguna ruedita exterior no está apuntando directo hacia abajo y está raspando el interior del dintel.</p> <p>B. Alguna ruedita exterior no está apretada, lo que ocasiona que su clip raspe contra el interior del dintel.</p> <p>C. Los paneles de puerta están demasiado bajos, lo que ocasiona que raspen contra la base de la guía central o contra la base de la ducha o el reborde de la bañera.</p> <p>D. Las rueditas se han desgastado y hacen ruido.</p>	<p>A. Afloje el tornillo de la ruedita exterior, gire el clip de forma que apunte directamente hacia abajo y entre en el dintel, y apriete bien el tornillo.</p> <p>B. Apriete los tornillos de las rueditas exteriores, y asegúrese de que todos los clips estén apuntando directamente hacia abajo.</p> <p>C. Ajuste las rueditas para elevar los paneles de puerta de forma que dejen de raspar. Consulte la sección "Ajuste las rueditas".</p> <p>D. Cambie las rueditas.</p>
2. Es difícil mover la puerta o no abre.	<p>A. El clip de alguna ruedita no está apuntando directo hacia abajo y está raspando contra el interior del dintel.</p> <p>B. Los paneles de puerta están demasiado bajos, lo que ocasiona que raspen contra la base de la guía central o contra la base de la ducha/el reborde de la bañera.</p> <p>C. El sello del umbral no está bien asentado, lo que ocasiona que el panel de la puerta raspe.</p>	<p>A. Afloje el tornillo de la ruedita, gire el clip de forma que apunte directamente hacia abajo y entre en el dintel, y apriete bien el tornillo.</p> <p>B. Ajuste las rueditas para elevar los paneles de puerta de forma que dejen de raspar.</p> <p>C. Empuje el sello a que entre por completo al umbral.</p>
3. Los paneles de puerta están sueltos y se columpian hacia dentro y hacia fuera de la ducha.	<p>A. La guía central no está instalada.</p> <p>B. La guía central no está instalada en el lugar correcto.</p> <p>C. Los paneles de puerta no están bien instalados en la guía central.</p> <p>D. La puerta es del tamaño incorrecto para la abertura para la ducha.</p>	<p>A. Instale la guía central de acuerdo con las instrucciones.</p> <p>B. Instale la guía central en el centro de la base de la ducha/del reborde de la bañera.</p> <p>C. Los paneles de puerta deben correr en las canaletas de la guía central.</p> <p>D. Obtenga el producto correcto para su abertura para la ducha.</p>
4. La guía central está suelta.	<p>A. El tornillo de la guía central no está bien apretado.</p> <p>B. La guía central no está bien instalada en la base de la ducha/el reborde de la bañera.</p>	<p>A. Con la llave hexagonal que se incluye, apriete el tornillo hasta que la guía central no puede ser movida a mano.</p> <p>B. Verifique que el gancho de la guía central esté dentro del umbral.</p>
5. Se fuga agua.	<p>A. Se fuga agua por debajo del umbral.</p>	<p>A. Aplique sellador 100 % de silicona al borde exterior del umbral. Siga las instrucciones del fabricante del sellador de silicona antes de usar la ducha.</p>

Resolución de problemas (cont.)

Resolución de problemas

Síntomas	Causa probable	Acción recomendada
	<p>B. Se fuga agua por debajo de un panel de puerta.</p> <p>C. Se fuga agua por debajo de un panel de puerta.</p> <p>D. Se fuga agua entre los paneles de puerta.</p> <p>E. Se fuga agua entre un panel de puerta y una jamba mural.</p> <p>F. Se fuga agua entre un panel de puerta y una jamba mural.</p> <p>G. Se fuga agua por detrás de una jamba mural.</p>	<p>B. Ajuste las rueditas de forma que la parte inferior de los paneles de puerta queden más cerca de la base de la ducha/el reborde de la bañera. Consulte la sección "Ajuste las rueditas".</p> <p>C. Retire las cubiertas de las jambas murales y asegúrese de que las tablillas de sujeción estén instaladas correctamente. Si hay espacio entre alguna jamba mural y una tablilla de sujeción, es posible que los paneles de puerta hayan quedado instalados demasiado altos.</p> <p>D. Al tomar una ducha, asegúrese de que el panel interior quede más cerca a la cabeza de ducha.</p> <p>E. Ajuste las rueditas de tal forma que los topes hagan contacto al parejo con la pared y con el panel de puerta. Consulte la sección "Ajuste las rueditas".</p> <p>F. Haga un pedido del kit de sello opcional, e instálelo.</p> <p>G. Aplique sellador 100 % de silicona a los bordes exterior e interior de la jamba mural. Siga las instrucciones del fabricante del sellador de silicona antes de usar la ducha.</p>
<p>6. La manija no está bien instalada.</p>	<p>A. El panel de puerta no se limpió bien antes de instalar la manija, o la manija no se oprimió con firmeza durante la instalación.</p>	<p>A. Limpie el panel de la puerta e instale una nueva manija.</p>

USA/Canada: 1-800-4KOHLER

México: 001-800-456-4537

kohler.com

THE BOLD LOOK
OF **KOHLER**®

©2019 Kohler Co.

1381418-2-A