

Features

- Frameless, 1/4" (6 mm) thick Falling Lines tempered glass.
- Gently curved inside and outside towel bars complete the look of this door.
- CleanCoat® technology creates a protective barrier that repels water, prevents dirt and minerals from collecting, and makes it easier to remove hard water spots.

Technology

- Continuous door panel guide mechanism for smooth, quiet sliding action.

Installation

- Out-of-plumb adjustability simplifies installation.
- Not for use in hospitality.

Recommended Products/Accessories

- K-9489 60" Single-threshold shower base w/ integral seat
- K-9496 60" Single-threshold shower base w/ integral seat
- K-9568 60" x 34" Single-threshold shower base
- K-23723 Faucet cleaner

Included Components

- Additional Components:
- Hardware kit



Codes/Standards

- CPSC 16CFR 1201
- ANSI Z97.1

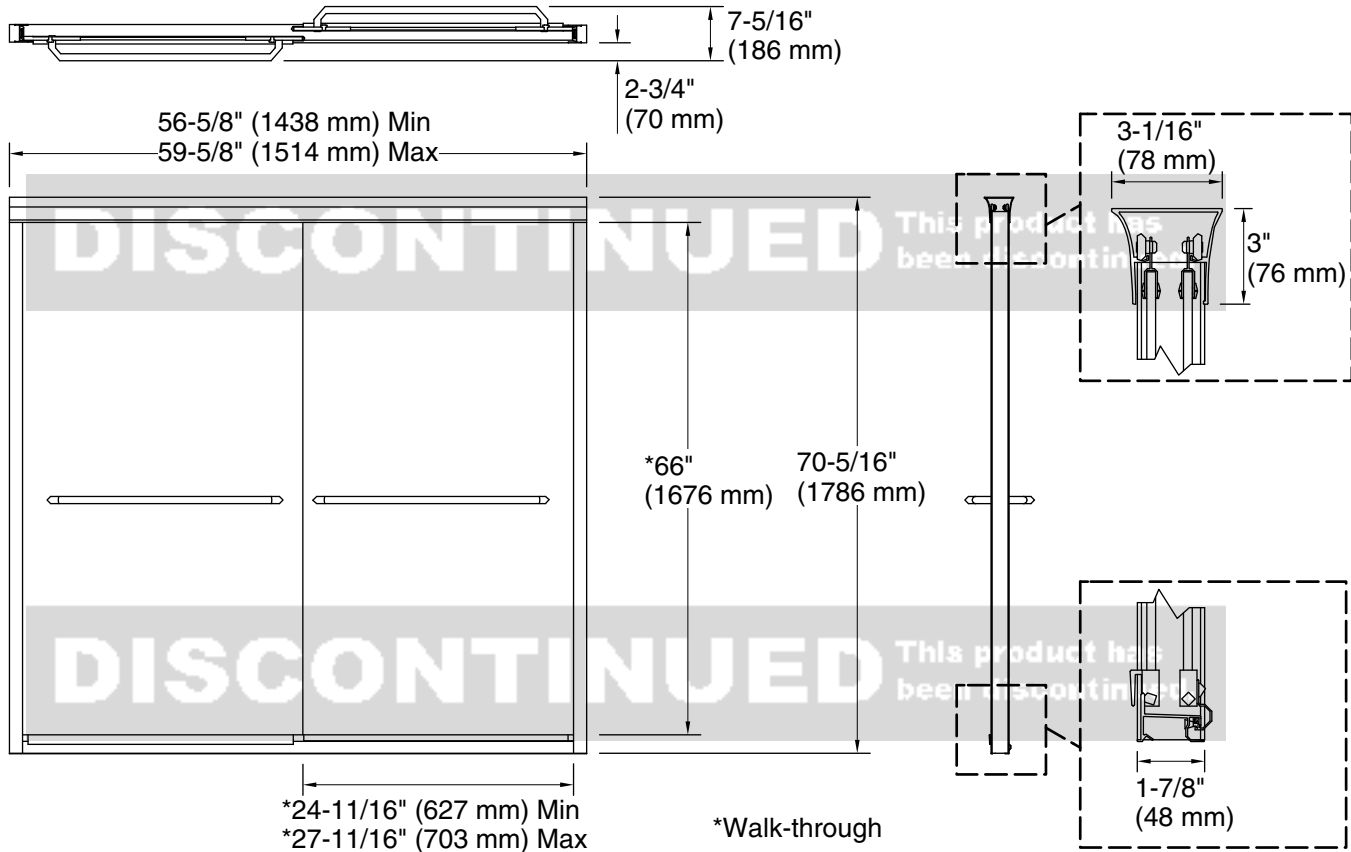
KOHLER® One-Year Limited Warranty

See website for detailed warranty information.

Available Glass Options

| Code | Description |
|------|---------------|
| G54 | Falling Lines |

DISCONTINUED This product has been discontinued.



Technical Information

All product dimensions are nominal.

Installation type: For shower base installation

Opening style: Sliding/Bypass

Opening Width - Min: 56-5/8" (1438 mm)

Opening Width - Max: 59-5/8" (1514 mm)

Walk-through - Min: 24-11/16" (627 mm)

Walk-through - Max: 27-11/16" (703 mm)

Base-To-Wall Radius - Max: 1/2" (13 mm)

Glass thickness: 1/4" (6 mm)

Glass coating: CleanCoat®

Notes

Install this product according to the installation guide.

The vertical opening should be a minimum of 72-1/16" (1830 mm) to allow for installation clearance.