

Features

- Frameless, 1/4" (6 mm) thick Falling Lines tempered glass.
- Gently curved inside and outside towel bars complete the look of this door.
- CleanCoat® technology creates a protective barrier that repels water, prevents dirt and minerals from collecting, and makes it easier to remove hard water spots.

Technology

- Continuous door panel guide mechanism for smooth, quiet sliding action.

Installation

- Out-of-plumb adjustability simplifies installation.
- Not for use in hospitality.

Recommended Products/Accessories

K-23723 Faucet cleaner

Included Components

Additional Components:

Hardware kit



Codes/Standards

CPSC 16CFR 1201
ANSI Z97.1

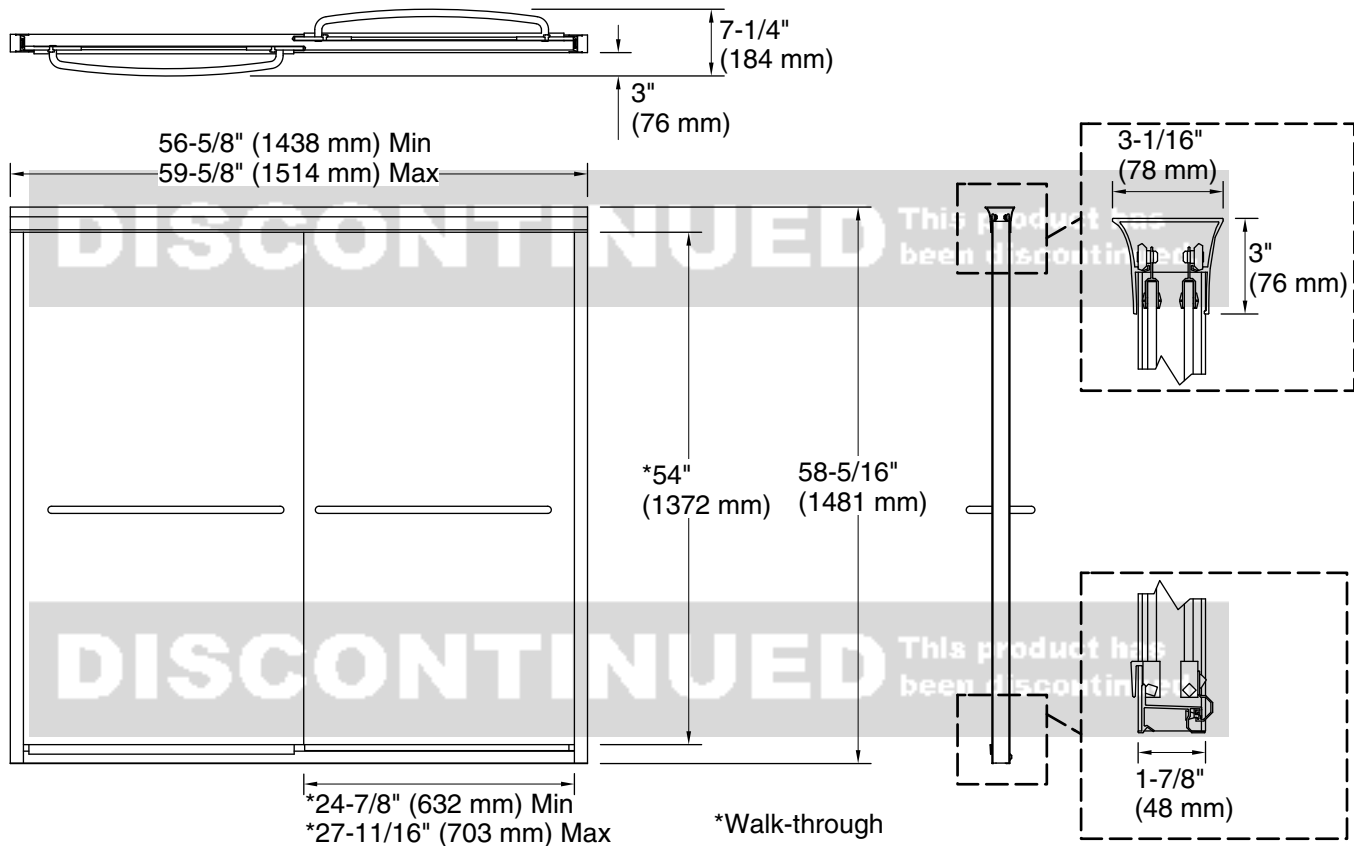
KOHLER® One-Year Limited Warranty

See website for detailed warranty information.

Available Glass Options

Code	Description
G54	Falling Lines

DISCONTINUED This product has been discontinued.



Technical Information

All product dimensions are nominal.

Installation type: For bath installation

Opening style: Sliding/Bypass

Opening Width - Min: 56-5/8" (1438 mm)

Opening Width - Max: 59-5/8" (1514 mm)

Walk-through - Min: 24-7/8" (632 mm)

Walk-through - Max: 27-11/16" (703 mm)

Base-To-Wall: 1/2" (13 mm)

Radius - Max:

Glass thickness: 1/4" (6 mm)

Glass coating: CleanCoat®

Notes

Install this product according to the installation guide.

The vertical opening should be a minimum of 60-1/16" (1526 mm) to allow for installation clearance.