

### Features

- Heritage design creates a striking focal point for your bathroom.
- Safeguard® slip-resistant surface on bath floor.
- Requires K-709 ceramic base or K-705 wooden base (sold separately).
- Painted exterior to match color of bath.

### Material

- KOHLER® enameled cast iron.

### Installation

- Drop-in or freestanding (with required base).
- Installation with K-709 ceramic base requires caulking in vertical base seams.

### Additional Hydrotherapy Options

- Soaking Bath - 700-0
- Whirlpool - 702-H2

### Recommended Products/Accessories

K-705 Freestanding Bath Base  
K-709 Freestanding Bath Base  
K-1172 Adjustable feet  
K-7159 1-1/2" pop-up bath drain for freestanding baths  
K-707 Hardwood Towel Rails  
K-708 Brackets and End Caps  
K-1491 Bath/Whirlpool Pillow  
K-1601 Bath/Whirlpool Footstop  
K-7265 Clearflo Bath Drain  
K-16210-4A bath faucet with spout, handles, and handshower  
K-331-4M bath faucet with handshower  
K-6905-4 Bath Faucet



### Codes/Standards






ASME A112.19.1/CSA B45.2  
ASTM F462

### KOHLER® Enameled Cast Iron Bath and Shower Base Lifetime Limited Warranty

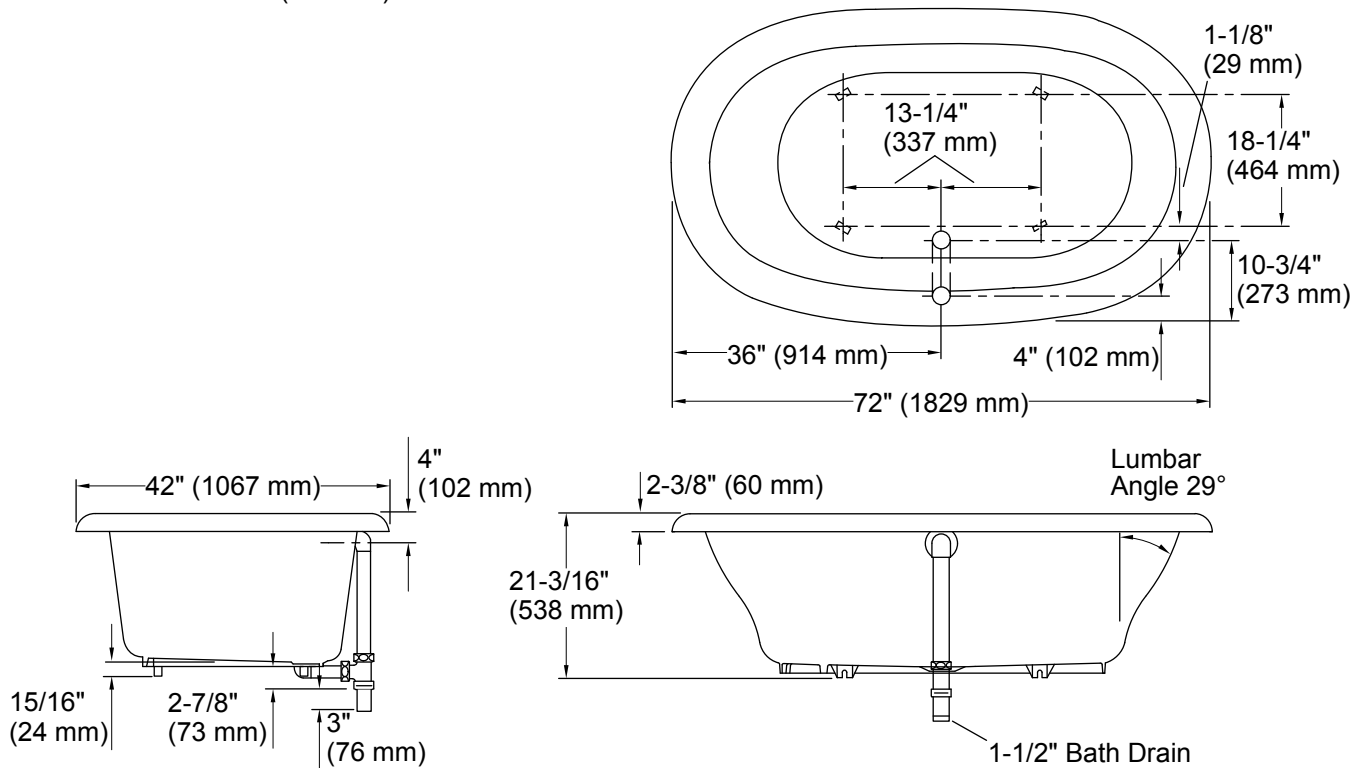
See website for detailed warranty information.

### Available Colors/Finishes

*Color tiles intended for reference only.*

Color	Code	Description
	0	White
	96	Biscuit
	47	Almond
	NY	Dune
	G9	Sandbar

No change in measurements if connected with drain illustrated. ( K-7159)



### Technical Information

All product dimensions are nominal.

Installation:	Drop-in, Freestanding
Drain location:	Center
Basin area, bottom:	44" x 24" (1118 mm x 610 mm)
Basin area, top:	60" x 32" (1524 mm x 813 mm)
Weight:	485 lbs (220 kg)
Minimum floor load:	57 lbs/ft <sup>2</sup> (278.3 kg/m <sup>2</sup> )
Water depth:	15" (381 mm)
Water capacity:	82 gal (310.4 L)
Template:	Drop-in, 106594-7, required, included

### Notes

Measure your actual product for rough-in details. Install this product according to the installation instructions. The hot water supply should be 70% of the capacity of the bath or greater. Installations will vary.