



IV Georges Brass®

Toilet Tissue Holder
K-6828

Features

- Solid-brass construction for durability.
- KOHLER finishes resist corrosion and tarnish.
- Coordinates with IV Georges faucets and accessories.

Included Components

Additional Components:
Installation hardware



Codes/Standards



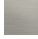

None Applicable

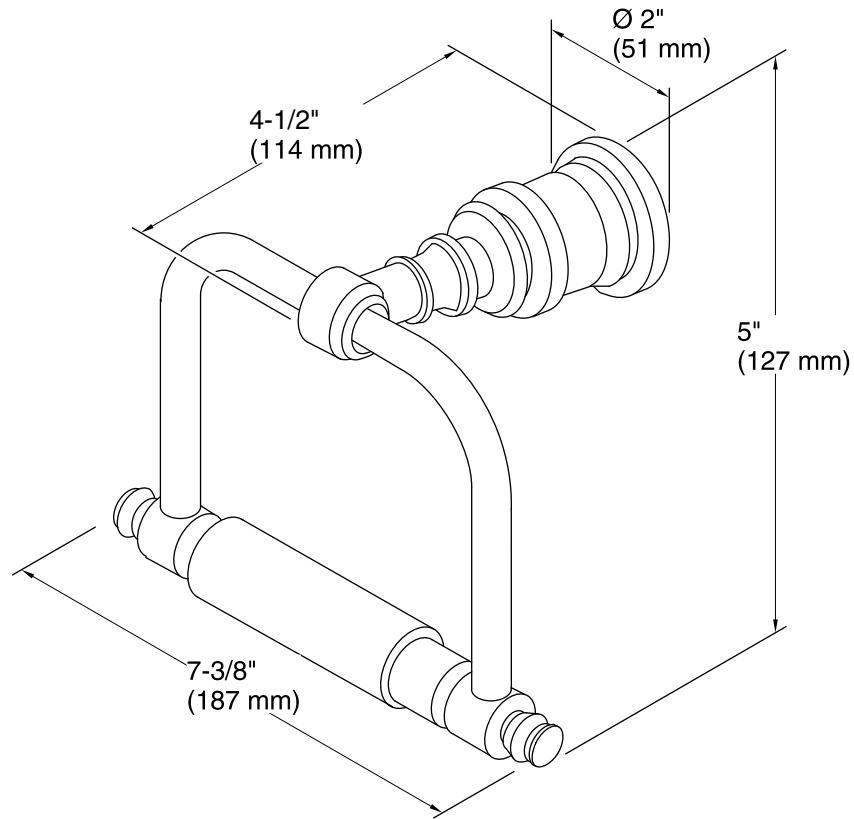
KOHLER® Faucet Lifetime Limited Warranty

See website for detailed warranty information.

Available Colors/Finishes

Color tiles intended for reference only.

Color	Code	Description
	SN	Vibrant® Polished Nickel
	PB	Vibrant® Polished Brass
	BN	Vibrant® Brushed Nickel
	BV	Vibrant® Brushed Bronze



Technical Information

All product dimensions are nominal.

Notes

Install this product according to the installation guide.