



River Falls™
Top-mount Utility Sink
K-6657-2R

Features

- 27-inch minimum base cabinet width.
- Single bowl with integral washboard.
- 14-1/4-inch depth provides generous workspace.
- Single faucet hole with one accessory hole to the right.
- Includes wire rack and soaking pan.

Material

- KOHLER® enameled cast iron.

Installation

- Top-mount

Recommended Products/Accessories

- K-9000 P-Trap
- K-8801 Sink Strainer
- K-8799 Sink Strainer

Included Components

- Additional Components:
- Wire rack
 - soaking pan

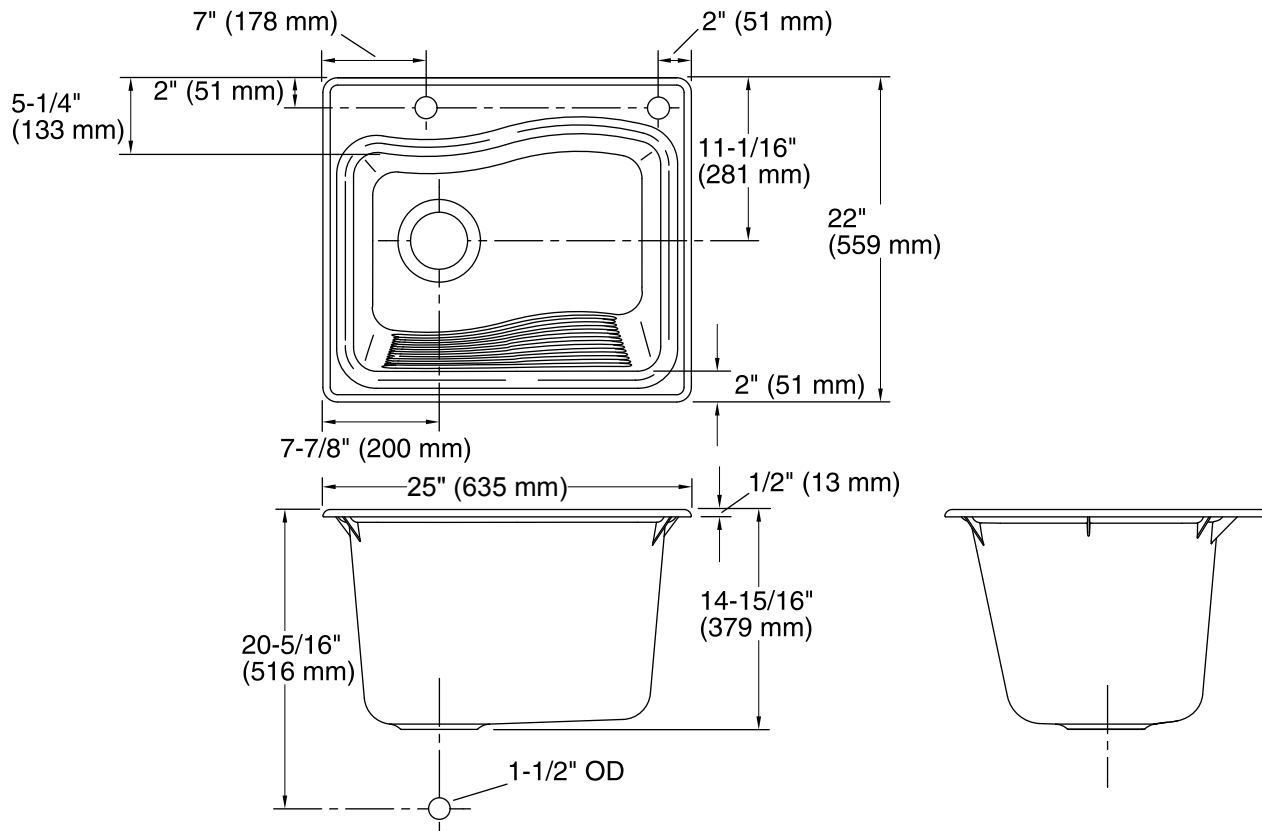


Codes/Standards

ASME A112.19.1/CSA B45.2

KOHLER® Enameled Cast Iron Kitchen Sink Lifetime Limited Warranty

See website for detailed warranty information.



Technical Information

All product dimensions are nominal.

Bowl configuration: Single

Installation: Top-mount

Min. base cabinet width: 27" (686 mm)

Bowl area: Length: 21-1/2" (546 mm)
Width: 14-3/4" (375 mm)
Bowl depth: 14-1/4" (362 mm)

Number of deck holes: 2

Faucet hole(s): 1-3/8" (35 mm)

Drain hole: 3-5/8" (92 mm)

Template: 1079984-7, required, included

Notes

Install this product according to the installation instructions.