



Langlade®
Top-mount Kitchen Sink
K-6626-5

Features

- 33-inch minimum base cabinet width.
- Double equal bowls.
- 9-inch depth.
- Three faucet holes with one accessory hole to the right and one accessory hole to the left.
- Smart Divide® features a lower bowl divider that increases workspace and versatility.

Material

- KOHLER® enameled cast iron.

Installation

- Top-mount

Recommended Products/Accessories

- K-9000 P-Trap
- K-8801 Sink Strainer
- K-8799 Sink Strainer

Optional Products/Accessories

- K-6545 Sponge Caddy
- K-5180 Right-Bowl Sink Rack
- K-5182 Left-Bowl Sink Rack

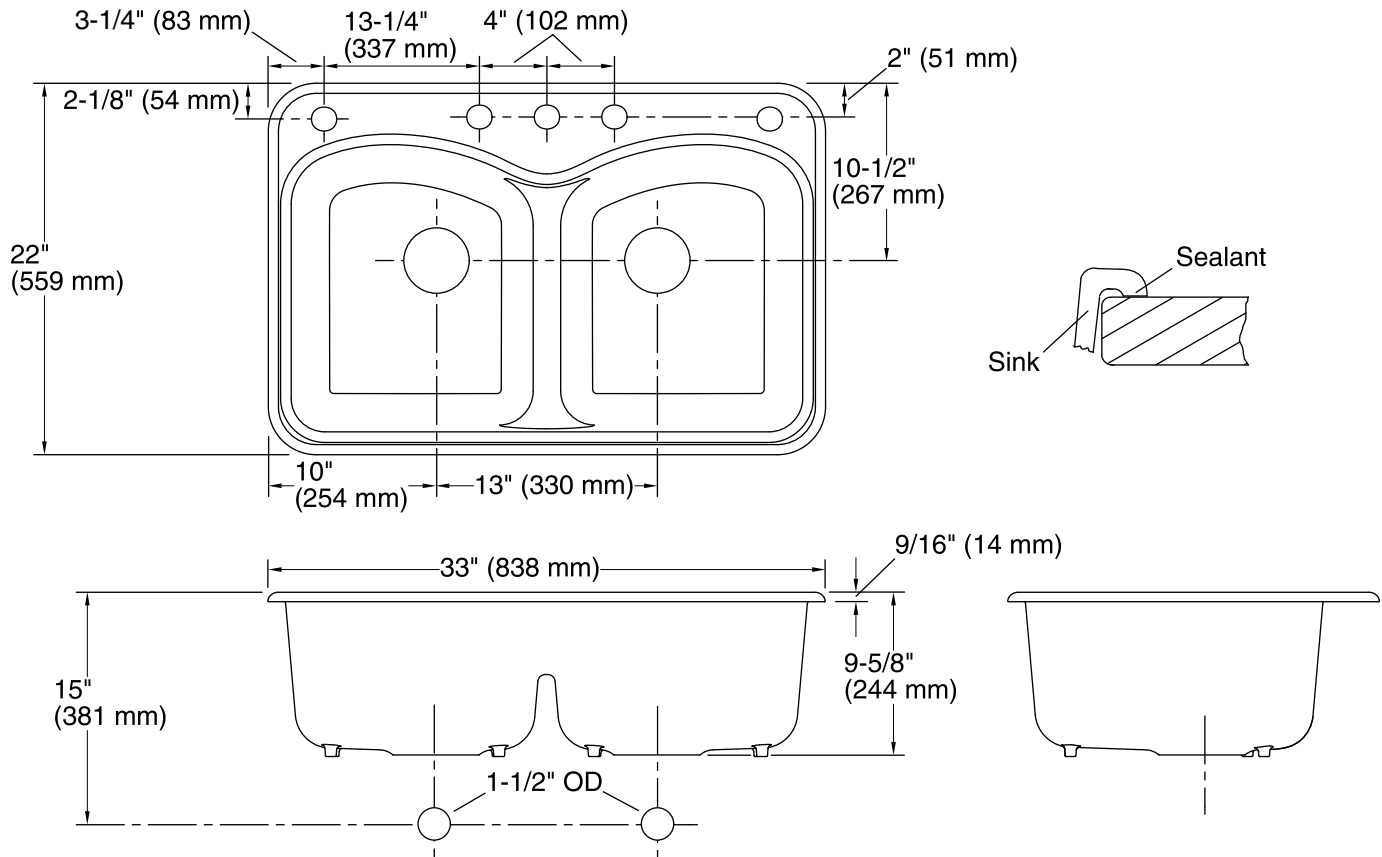


Codes/Standards

ASME A112.19.1/CSA B45.2

KOHLER® Enameled Cast Iron Kitchen Sink Lifetime Limited Warranty

See website for detailed warranty information.



Technical Information

All product dimensions are nominal.

Bowl configuration: Double equal

Installation: Top-mount

Min. base cabinet width: 33" (838 mm)

Bowl area (Left): Length: 15" (381 mm)
Width: 18-3/8" (467 mm)
Bowl depth: 9" (229 mm)

Bowl area (Right): Length: 15" (381 mm)
Width: 18-3/8" (467 mm)
Bowl depth: 9" (229 mm)

Number of deck holes: 5

Faucet hole(s): 1-3/8" (35 mm)

Drain hole: 3-5/8" (92 mm)

Template: 1043753-7, required, included

Notes

Install this product according to the installation instructions.