



Harborview™

Countertop Utility Sink

K-6607-4

Features

- 50-inch minimum base cabinet width.
- Single bowl.
- 10" (254 mm) depth provides generous workspace.
- Integral apron and backsplash.
- Two sets of two faucet holes with 8-inch centers.
- Can be wall-mounted with coordinating K-6617 legs (sold separately).

Material

- KOHLER® enameled cast iron.

Installation

- Countertop or wall-mount.

Recommended Products/Accessories

- K-8801 Sink Strainer
- K-8799 Sink Strainer
- K-6617 Table Legs
- K-23726 Drain treatment
- K-23725 Cast iron cleaner

Optional Products/Accessories

- K-6026 Wood Grate
- K-11352 Disposal Flange with Stopper



Codes/Standards




ASME A112.19.1/CSA B45.2

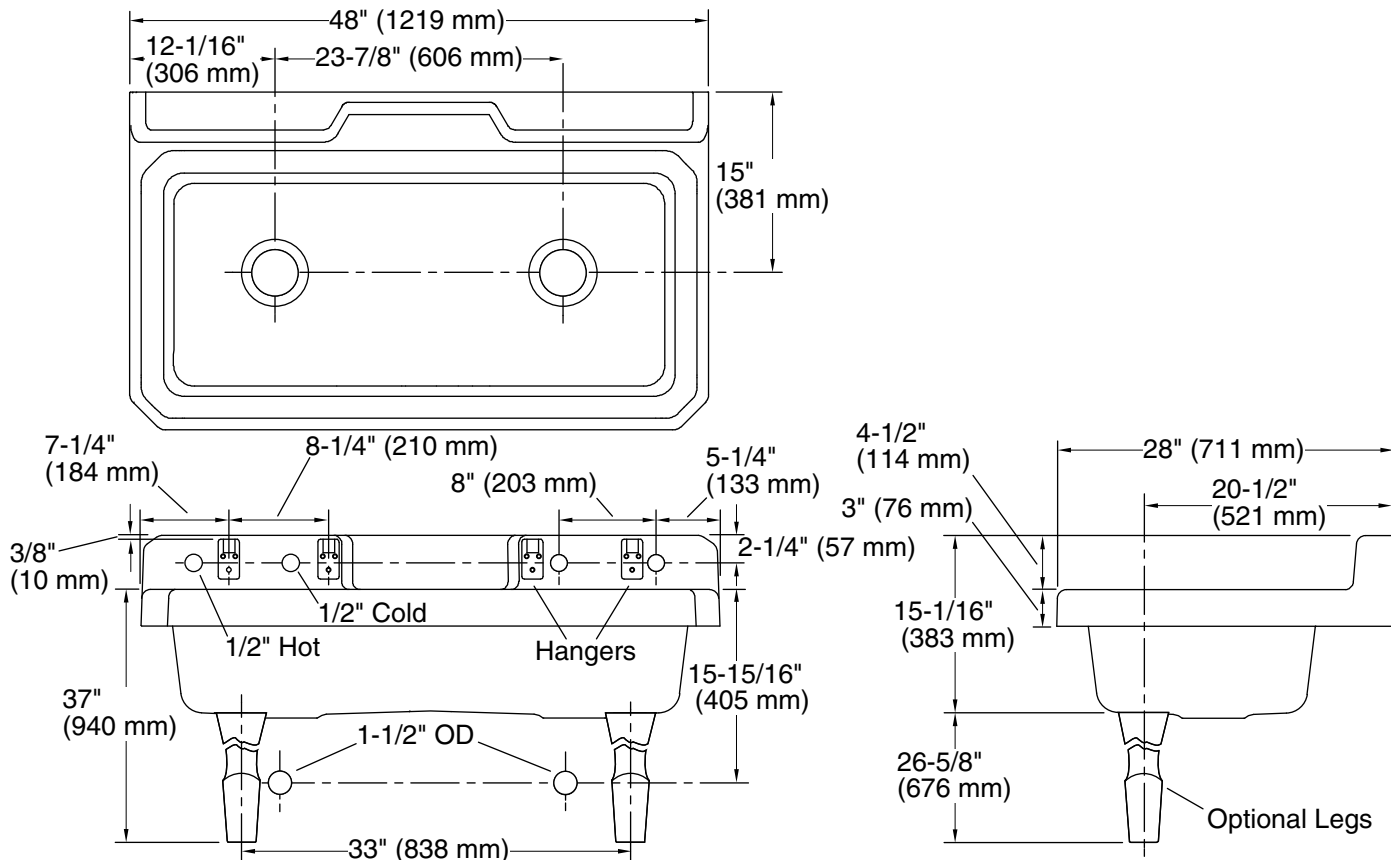
KOHLER® Enameled Cast Iron Kitchen Sink Lifetime Limited Warranty

See website for detailed warranty information.

Available Colors/Finishes

Color tiles intended for reference only.

Color	Code	Description
	0	White
	96	Biscuit
	47	Almond



Technical Information

All product dimensions are nominal.

Bowl configuration: Off-set Large/small

Installation: Top-mount

Cutout: Top-mount, 44" x 20" (1118 mm x 508 mm) with 1-15/16" (49 mm) radius corners

Min. base cabinet width: 50" (1270 mm)

Bowl area (Only): Length: 42-7/16" (1078 mm)
Width: 18-1/2" (470 mm)
Bowl depth: 10" (254 mm)

Number of deck holes: 4

Faucet hole spacing: 4" (102 mm)

Faucet hole(s): 1-3/8" (35 mm)

Drain hole: 3-7/8" (98 mm)

Notes

Install this product according to the installation instructions.