

Features

- Fits minimum 27-inch apron sink base cabinet.
- Single bowl.
- 8-inch depth.
- Integral apron front.
- Three oversized faucet holes with two oversized accessory holes to the right.
- Oversized holes allow for easy installation of faucets and accessories.

Material

- Fireclay

Installation

- Under-mount apron-front.

Recommended Products/Accessories

- K-9000 P-Trap
- K-6539 Drainboard with Sink Rack
- K-6377 Sponge Caddy
- K-6378 Kitchen Brush Caddy
- K-6379 Kitchen Squeegee
- K-6382 Disinfecting Wipes Dispenser
- K-6383 Soap Dispenser
- K-8618 Paper Towel Holder
- K-8619 Flexible Kitchen Mat
- K-8624 Dish Scraper
- K-8801 Sink Strainer
- K-8799 Sink Strainer

Optional Products/Accessories

- K-5984 Cutting Board
- K-6005 Sink Rack



Codes/Standards






ASME A112.19.2/CSA B45.1

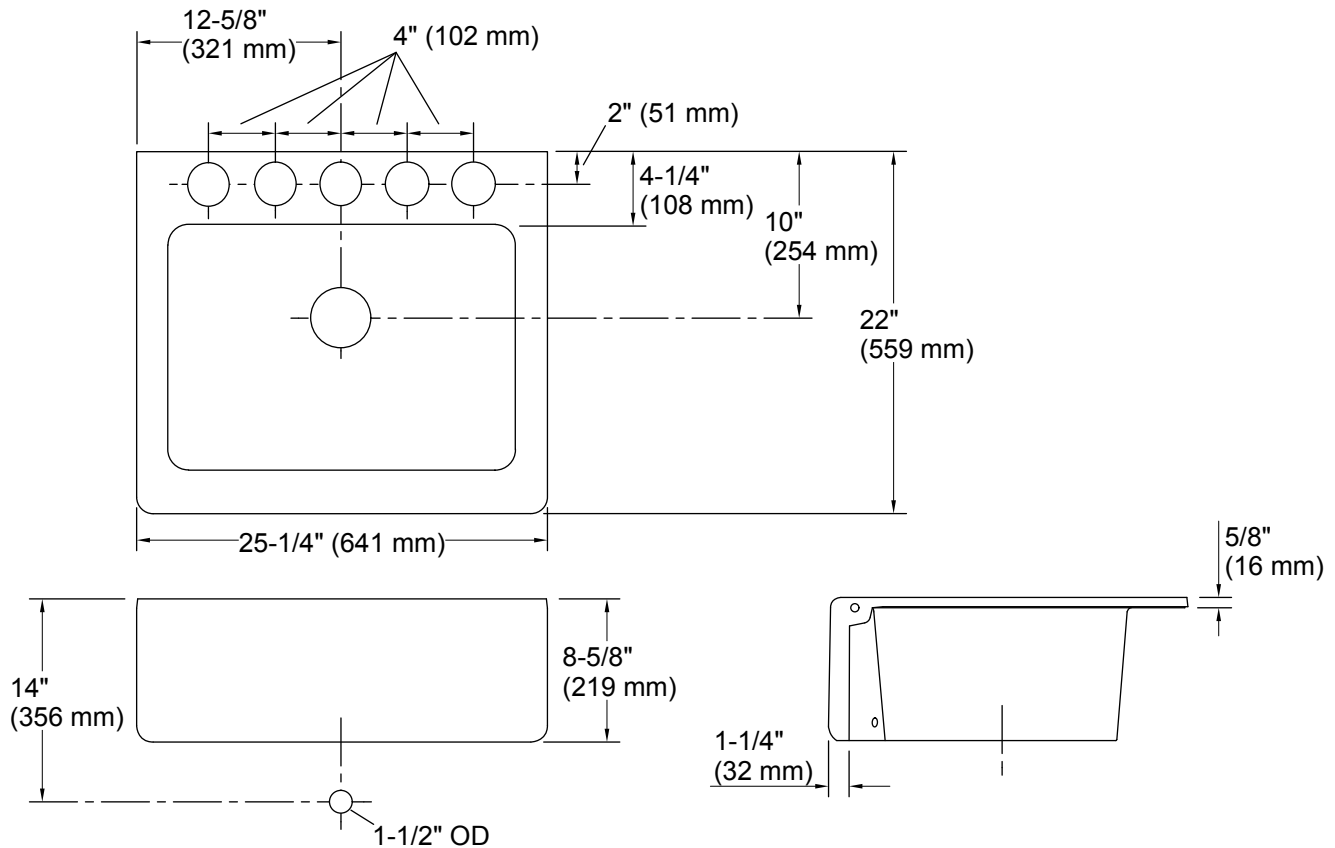
KOHLER® One-Year Limited Warranty

See website for detailed warranty information.

Available Colors/Finishes

Color tiles intended for reference only.

Color	Code	Description
	0	White
	96	Biscuit
	47	Almond
	7	Black Black™
	V2	Cream City



Technical Information

All product dimensions are nominal.

Bowl configuration:	Single
Installation:	Tile-in/Flush-mount
Min. base cabinet width:	27" (686 mm)
Bowl area (Only):	Length: 21" (533 mm) Width: 15" (381 mm) Bowl depth: 8" (203 mm) Water depth: 8" (203 mm)
Number of deck holes:	5
Faucet hole(s):	2-1/2" (64 mm)
Drain hole:	3-7/8" (98 mm)

Notes

Install this product according to the installation instructions.

Due to the special nature of this installation, Kohler Co. recommends that an experienced cabinet maker use the actual sink to build the new cabinet or modify an existing cabinet.