



**Porto Fino™**  
 Top-/Under-Mount Bar Sink  
**K-6565**

**Features**

- 21-inch minimum base cabinet width.
- Single round bowl.
- 8-inch depth.
- No faucet holes.

**Material**

- KOHLER® enameled cast iron.

**Installation**

- Top-mount or under-mount.

**Recommended Products/Accessories**

- K-8801 Sink Strainer
- K-8799 Sink Strainer

**Included Components**

Product consists of:  
 52047 Clamp Accessory Pack, 4 Ea.



ADA

**Codes/Standards**

ASME A112.19.1/CSA B45.2  
 ADA  
 ICC/ANSI A117.1

**KOHLER® Enameled Cast Iron Kitchen Sink Lifetime Limited Warranty**

See website for detailed warranty information.

**Available Colors/Finishes**

*Color tiles intended for reference only.*

Color	Code	Description
	0	White
	FF	Sea Salt™
	96	Biscuit
	47	Almond
	FD	Cane Sugar™
	NY	Dune
	95	Ice™ Grey
	G9	Sandbar
	33	Mexican Sand™
	K4	Cashmere
	FT	Basalt
	58	Thunder™ Grey
	20	Suede
	KA	Black 'n Tan
	FP	Caviar

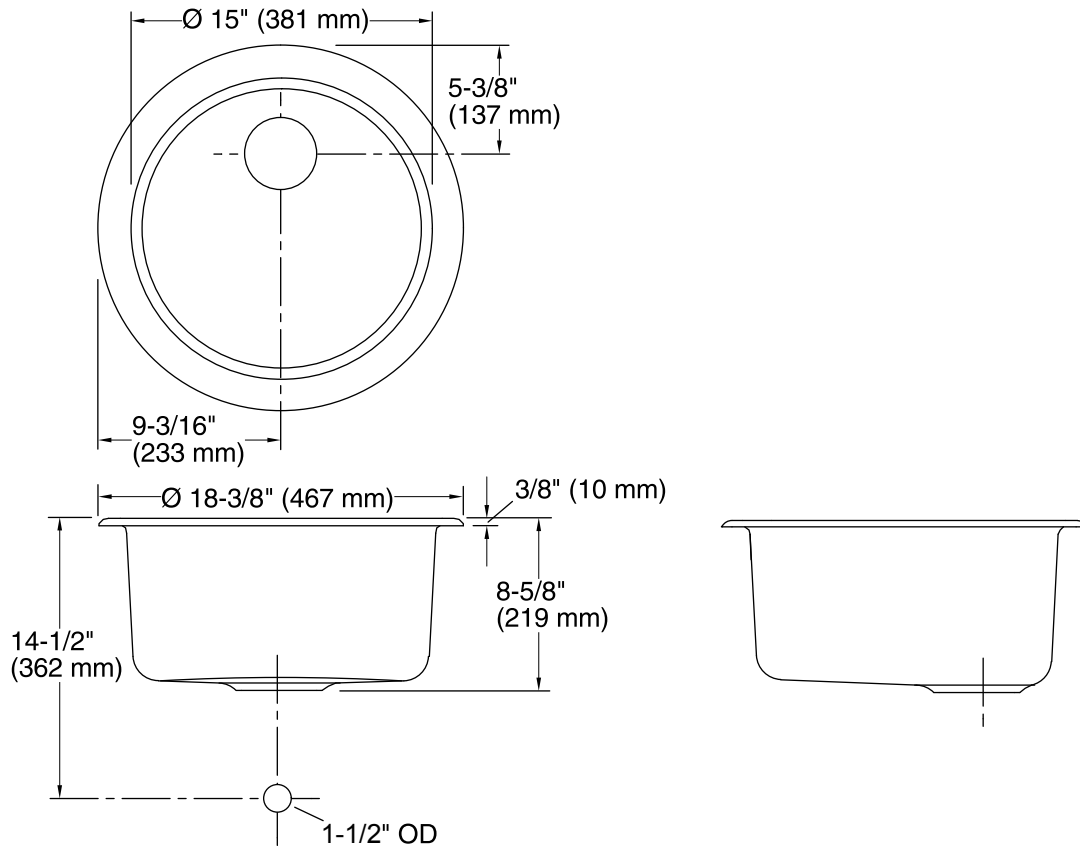
1-800-4KOHLER (1-800-456-4537)

Kohler Co. reserves the right to make revisions without notice to product specifications.

For the most current Specification Sheet, go to [www.kohler.com](http://www.kohler.com).

4-25-2019 23:38 - US/CA





### Technical Information

All product dimensions are nominal.

Bowl configuration:	Single
Installation:	Top-mount, Under-mount
Min. base cabinet width:	21" (533 mm)
Bowl area (Only):	Length: 15" (381 mm) Width: 15" (381 mm) Bowl depth: 8" (203 mm)
Drain hole:	3-5/8" (92 mm)
Template:	112355-7, required, included

### Notes

Install this product according to the installation instructions.

ADA compliant when installed to the specific requirements of these regulations.

ADA permits a parallel approach to wet bars.