



Hawthorne™
Apron Front Kitchen Sink
K-6534-4

Features

- Fits minimum 33-inch apron sink base cabinet.
- Double equal bowls.
- 8-inch depth.
- Three faucet holes with one accessory hole to the right.
- Integral apron.

Material

- KOHLER® enameled cast iron.

Installation

- Tile-in apron-front.

Recommended Products/Accessories

- K-9000 P-Trap
- K-8801 Sink Strainer
- K-8799 Sink Strainer

Optional Products/Accessories

- K-5984 Cutting Board



Codes/Standards

ASME A112.19.1/CSA B45.2

KOHLER® Enameled Cast Iron Kitchen Sink Lifetime Limited Warranty

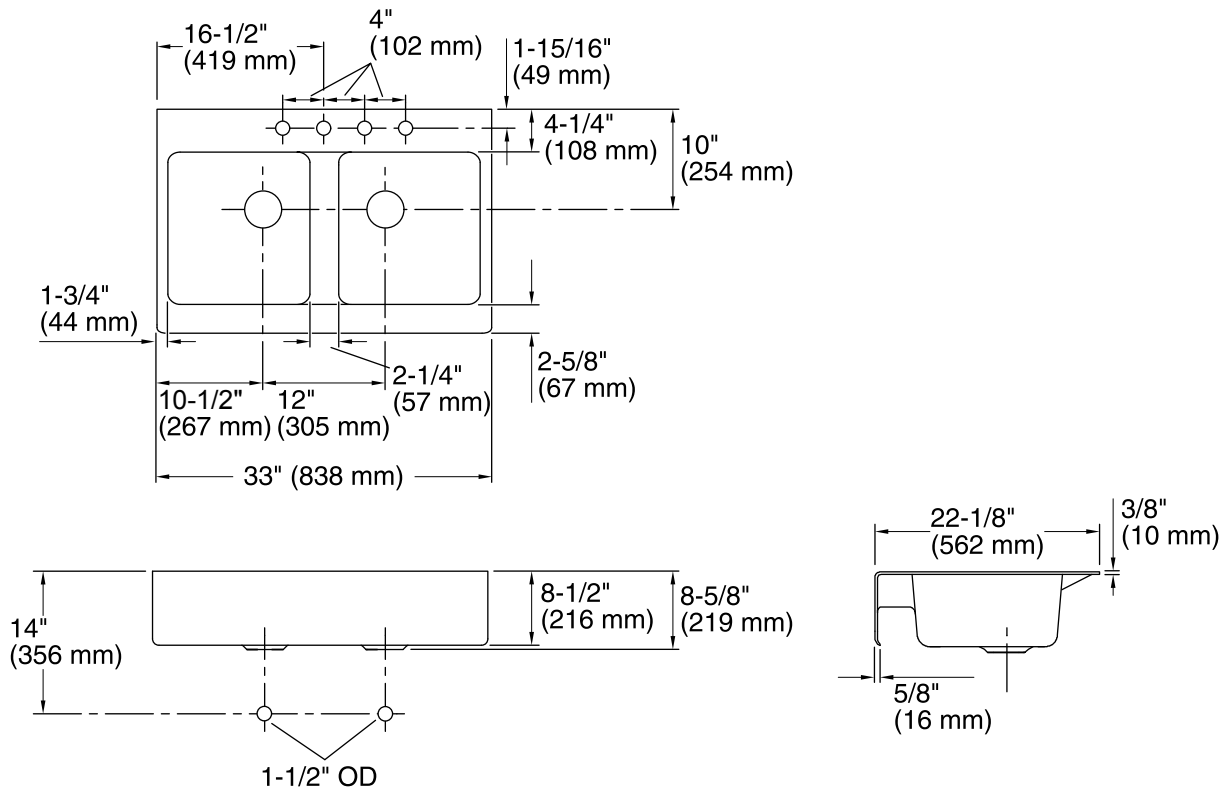
See website for detailed warranty information.

Available Colors/Finishes

Color tiles intended for reference only.

Color Code Description

	0	White
--	---	-------



Technical Information

All product dimensions are nominal.

Bowl configuration:	Double equal
Installation:	Tile-in/Flush-mount
Bowl area (Left):	Length: 13-5/8" (346 mm) Width: 15-3/16" (386 mm) Bowl depth: 8" (203 mm) Water depth: 8" (203 mm)
Bowl area (Right):	Length: 13-5/8" (346 mm) Width: 15-3/16" (386 mm) Bowl depth: 8" (203 mm) Water depth: 8" (203 mm)
Number of deck holes:	4
Faucet hole spacing:	4" (102 mm)
Faucet hole(s):	1-3/8" (35 mm)
Drain hole:	3-5/8" (92 mm)

Notes

Install this product according to the installation instructions.

Due to the special nature of this installation, Kohler Co. recommends that an experienced cabinet maker use the actual sink to build the new cabinet or modify an existing cabinet.