



# Hawthorne™

## Apron Front Kitchen Sink

### K-6534-3

#### Features

- Fits minimum 33-inch apron sink base cabinet.
- Double equal bowls.
- 8-inch depth.
- Integral apron.
- Three faucet holes.

#### Material

- KOHLER® enameled cast iron.

#### Installation

- Tile-in apron-front.

#### Recommended Products/Accessories

- K-9000 P-Trap
- K-8801 Sink Strainer
- K-8799 Sink Strainer

#### Optional Products/Accessories

- K-5984 Cutting Board



#### Codes/Standards

ASME A112.19.1/CSA B45.2


#### KOHLER® Enameled Cast Iron Kitchen Sink Lifetime Limited Warranty

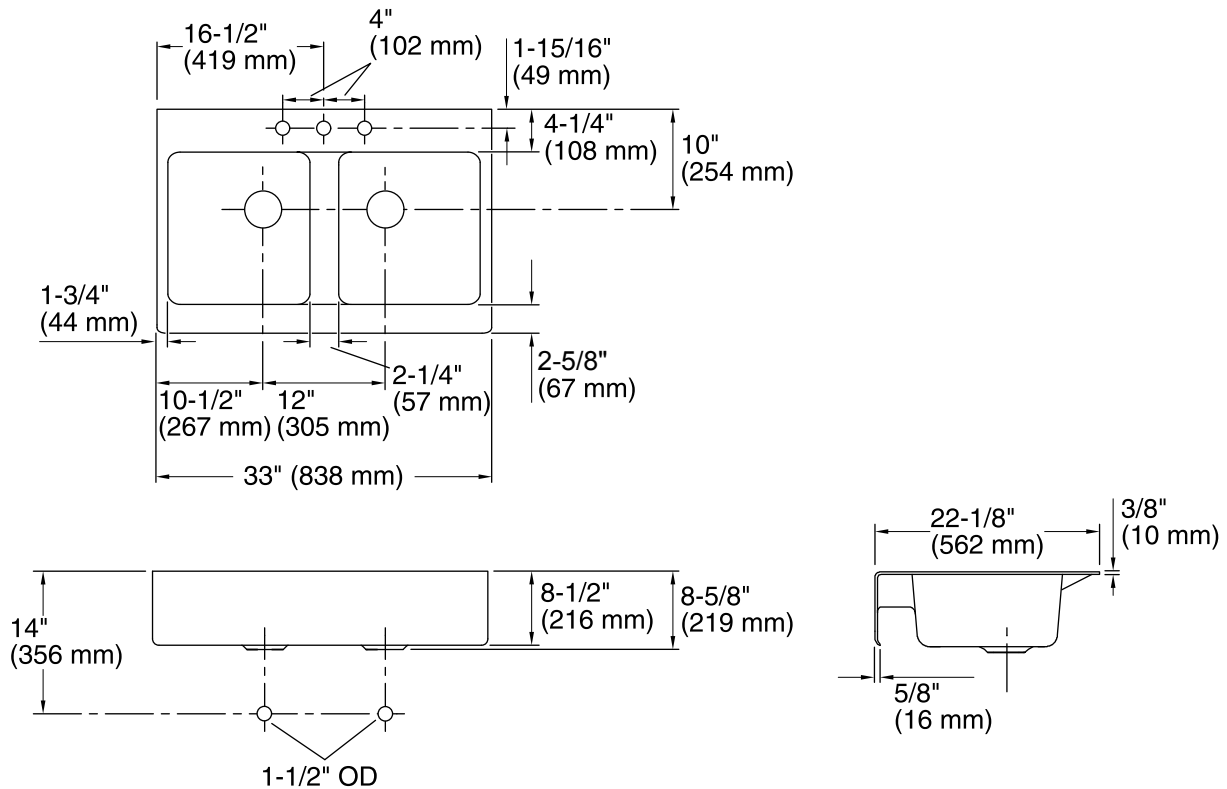
See website for detailed warranty information.

#### Available Colors/Finishes

*Color tiles intended for reference only.*

Color	Code	Description
-------	------	-------------

	0	White
--	---	-------



### Technical Information

All product dimensions are nominal.

Installation:	Tile-in/Flush-mount
Bowl area:	Length: 14" (356 mm) Width: 15" (381 mm) Water depth: 8" (203 mm)
Number of deck holes:	3
Faucet hole(s):	1-3/8" (35 mm)
Drain hole:	3-5/8" (92 mm)

### Notes

Install this product according to the installation instructions.

Due to the special nature of this installation, Kohler Co. recommends that an experienced cabinet maker use the actual sink to build the new cabinet or modify an existing cabinet.