



**Lawnfield®**  
Left-Bowl Sink Rack  
**K-6160**

**Features**

- Fits in the left bowl of the K-5841 Lawnfield kitchen sink.
- Durable stainless-steel construction.
- Helps protect sink surface from daily wear.
- Dishwasher safe.
- Rubber feet provide added protection.



**Codes/Standards**


None Applicable

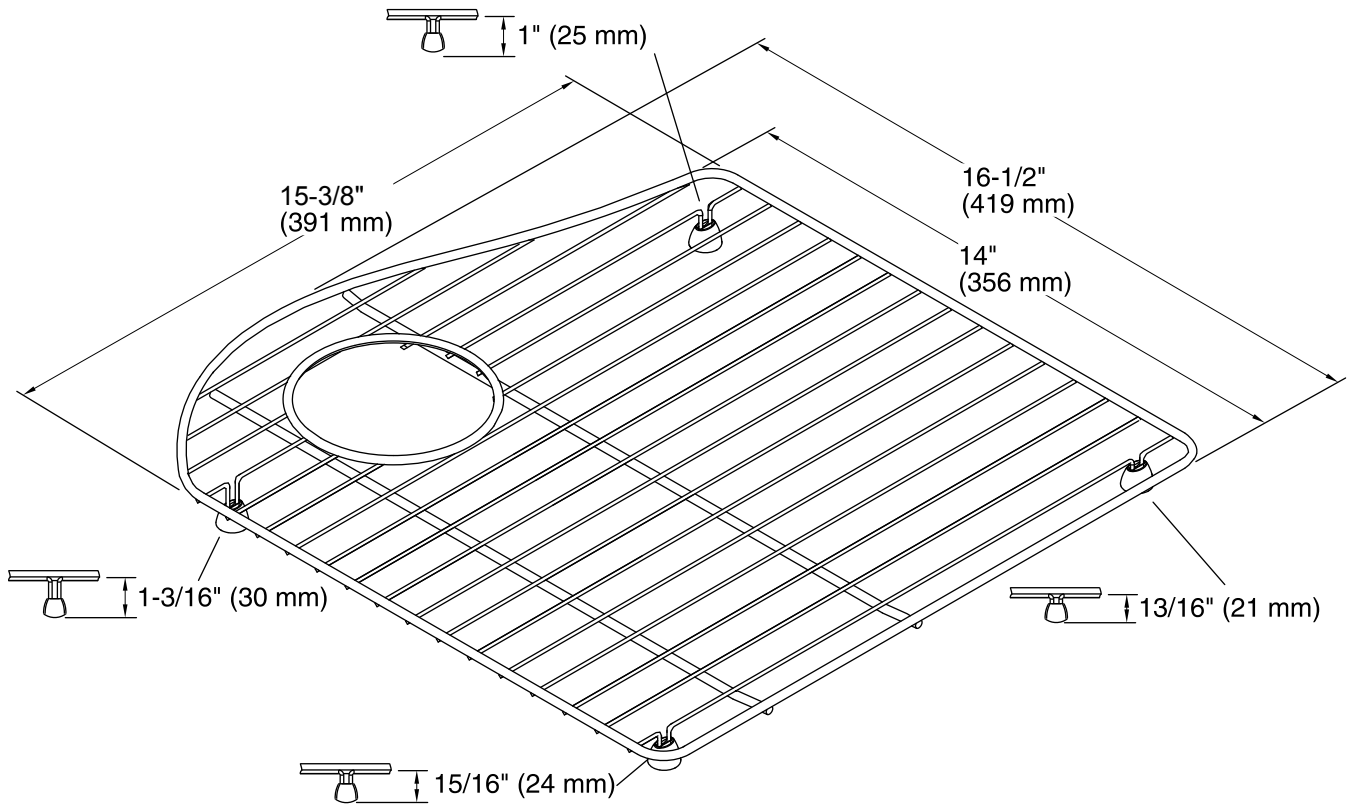
**KOHLER® One-Year Limited Warranty**

See website for detailed warranty information.

**Available Colors/Finishes**

*Color tiles intended for reference only.*

Color	Code	Description
	ST	Stainless Steel



### Technical Information

All product dimensions are nominal.