

### Features

- 15-inch minimum base cabinet width.
- Single bowl.
- 5-1/2-inch depth.
- Three faucet holes.
- Small size fits compact spaces.

### Material

- Acrylic

### Installation

- Wall-mount or top-mount.

### Recommended Products/Accessories

K-9000 P-Trap  
K-8801 Sink Strainer  
K-8799 Sink Strainer



ADA

### Codes/Standards

CSA B45.5/IAPMO Z124  
ADA  
ICC/ANSI A117.1

### KOHLER® One-Year Limited Warranty

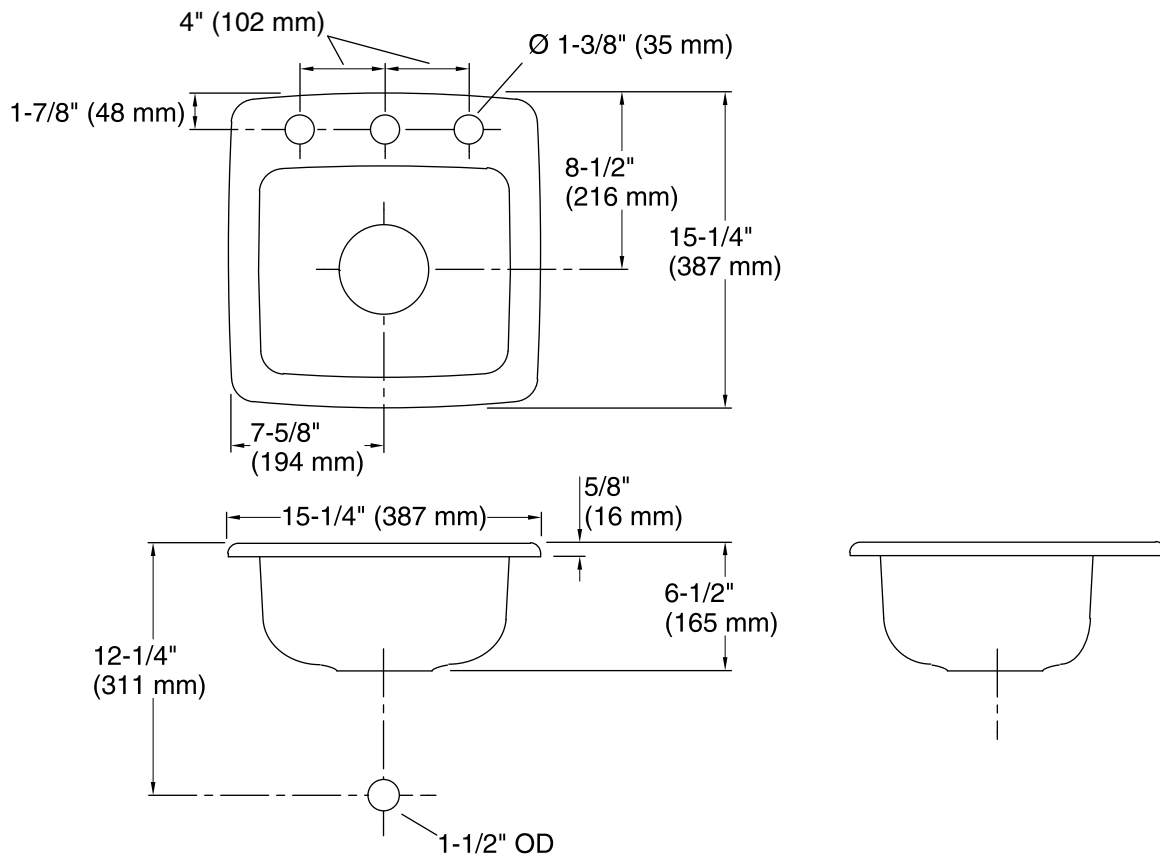
See website for detailed warranty information.

### Available Colors/Finishes

*Color tiles intended for reference only.*

Color	Code	Description
-------	------	-------------

	96	Biscuit
--	----	---------



### Technical Information

All product dimensions are nominal.

Bowl configuration:	Single
Installation:	Top-mount
Min. base cabinet width:	15" (381 mm)
Bowl area:	Length: 11-1/2" (292 mm) Width: 9-1/2" (241 mm) Bowl depth: 5-1/2" (140 mm) Water depth: 5-1/2" (140 mm)
Number of deck holes:	3
Faucet hole(s):	1-3/8" (35 mm)
Drain hole:	3-1/2" (89 mm)
Template:	102519-7, required, included

### Notes

Install this product according to the installation instructions.

ADA compliant when installed to the specific requirements of these regulations.

ADA permits a parallel approach to wet bars.