

Features

- Digitally controlled.
- High-temperature limit setting for added safety.
- One-touch control of two valve outlets.
- Low profile design.
- Selectable water-saving functionality.
- Selectable Fahrenheit or Celsius.
- Eco-Mode diverter with only one outlet selectable at any time.
- Easy-to-use LCD display and raised, one-touch buttons.
- Integrated diverter lets you toggle between two water outlets.
- Digital thermostatic valve ensures safe and accurate temperature control.
- Warm-up mode reaches set temperature and then pauses until you're ready.
- Pause function stops water flow for up to two minutes.
- Countdown mode allows you to set shower duration to save and manage time and water use.

Installation

- Mounts on finished wall surface.
- Ideal for new installation or retrofit to existing shower.
- Install valve up to 20' away from the digital interface with cable supplied. Distance can be extended with a standard RJ-11 phone extension cord.

Required Products/Accessories

K-528-PM Two-port digital thermostatic valve

Recommended Products/Accessories

K-23723 Faucet cleaner

Included Components

Additional Components:

20 ft (6.1 m) cable

Prewired plug-and-play electrical connections



ADA

Codes/Standards

UL 1951

CSA C22.2 No. 14

CSA C22.2 No. 68

ADA





ICC/ANSI A117.1

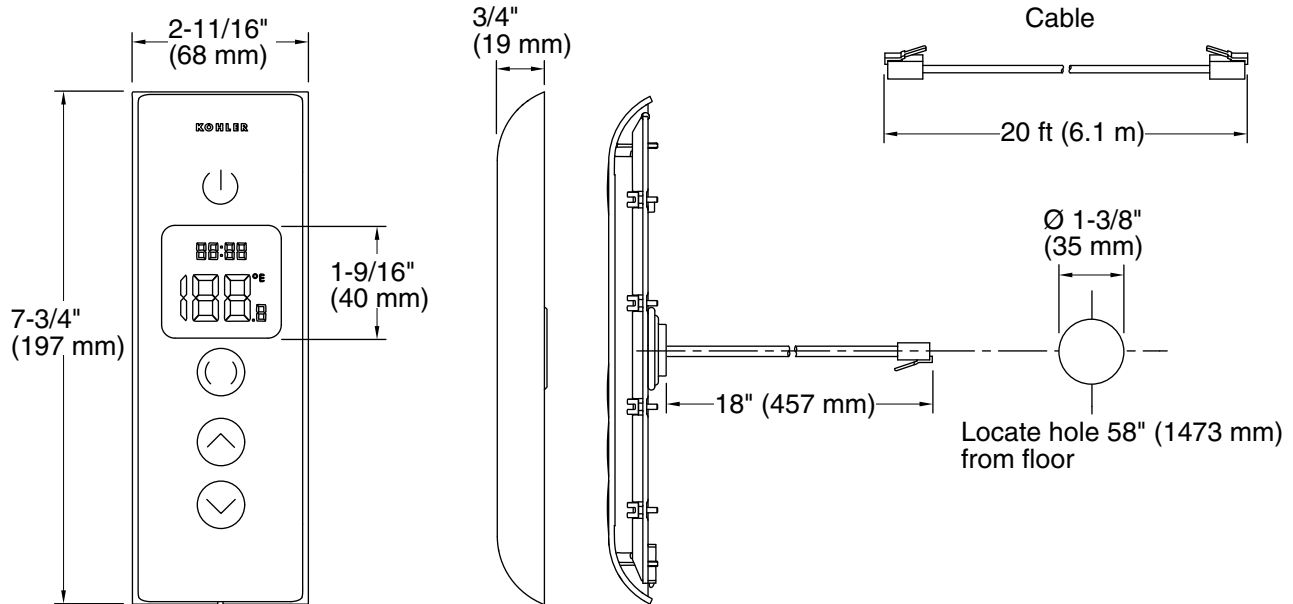
KOHLER® Electronic Faucets, Valves, and Controls Five-Year Limited Warranty

See website for detailed warranty information.

Available Colors/Finishes

Color tiles intended for reference only.

Color	Code	Description
	1CP	Satin Chrome with Polished Chrome
	1SN	Satin Nickel with Polished Nickel
	0	White
	7	Black Black™



Technical Information

All product dimensions are nominal.

Notes

Install this product in accordance with the installation instructions.

Recommended installation height of 58" (1473 mm) from floor to center of interface.

ADA compliant when installed to the specific requirements of these regulations.