

Features

- Digitally controlled.
- High-temperature limit setting for added safety.
- One touch control of two valve outlets.
- Low profile design.
- Selectable water-saving functionality.
- Selectable Fahrenheit or Celsius.
- Selectable outlet delivery.
- Easy-to-read LCD display and raised one-touch buttons.
- Use for single- or dual-outlet applications, including bath and shower, shower-only, or bath-only experiences.
- Integrated diverter with touch-button operation toggles between water outlets, running them separately or simultaneously.
- Allows user to add a second interface for convenience and flexibility.
- Warm-up mode pauses the shower flow when the water is brought up to the preferred temperature, and then notifies you that the shower is ready to enter, thus conserving water.
- Pause feature temporarily pauses water flow to conserve water while you lather, shave or shampoo.
- Countdown mode allows you to set the duration of the shower to easily manage both time and water use.

Installation

- Mounts on finished wall surface.

Required Products/Accessories

K-528-PM Two-port digital thermostatic valve

Recommended Products/Accessories

K-23723 Faucet cleaner

Included Components

Additional Components:
20' (6.1 m) cable



ADA

Codes/Standards





UL 1951
CSA C22.2 No. 14
CSA C22.2 No. 68
ADA
ICC/ANSI A117.1

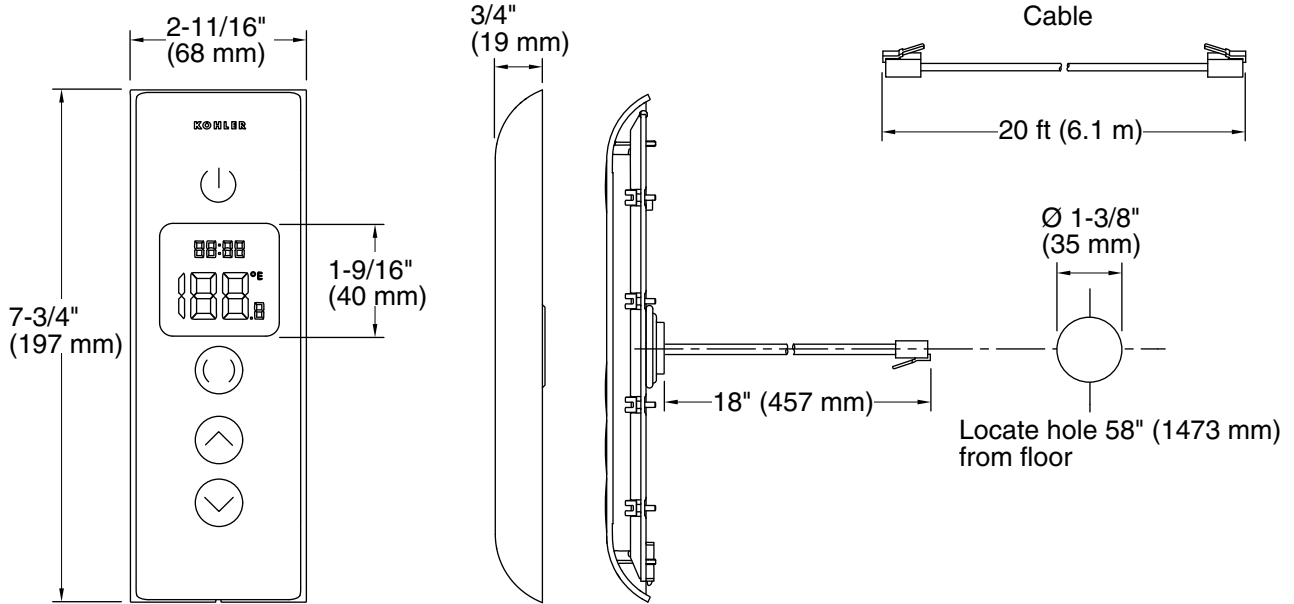
KOHLER® Electronic Faucets, Valves, and Controls Five-Year Limited Warranty

See website for detailed warranty information.

Available Colors/Finishes

Color tiles intended for reference only.

Color	Code	Description
	1CP	Satin Chrome with Polished Chrome
	1SN	Satin Nickel with Polished Nickel
	0	White
	7	Black Black™



Technical Information

All product dimensions are nominal.

Notes

Install this product in accordance with the installation instructions.

Recommended installation height 58" (1473 mm) from floor to center of interface.

ADA compliant when installed to the specific requirements of these regulations.