



# Langlade®

Left-bowl sink rack  
K-5182

## Features

- Fits in the left bowl of the K-6626 Langlade Smart Divide® kitchen sink.
- Helps protect sink surface from daily wear.
- Innovative wheels around the perimeter provide a secure fit and reduce debris buildup.
- Dishwasher-safe.

## Material

- Durable stainless steel construction.

## Recommended Products/Accessories

K-23729 Stainless steel cleaner



## Codes/Standards

None Applicable

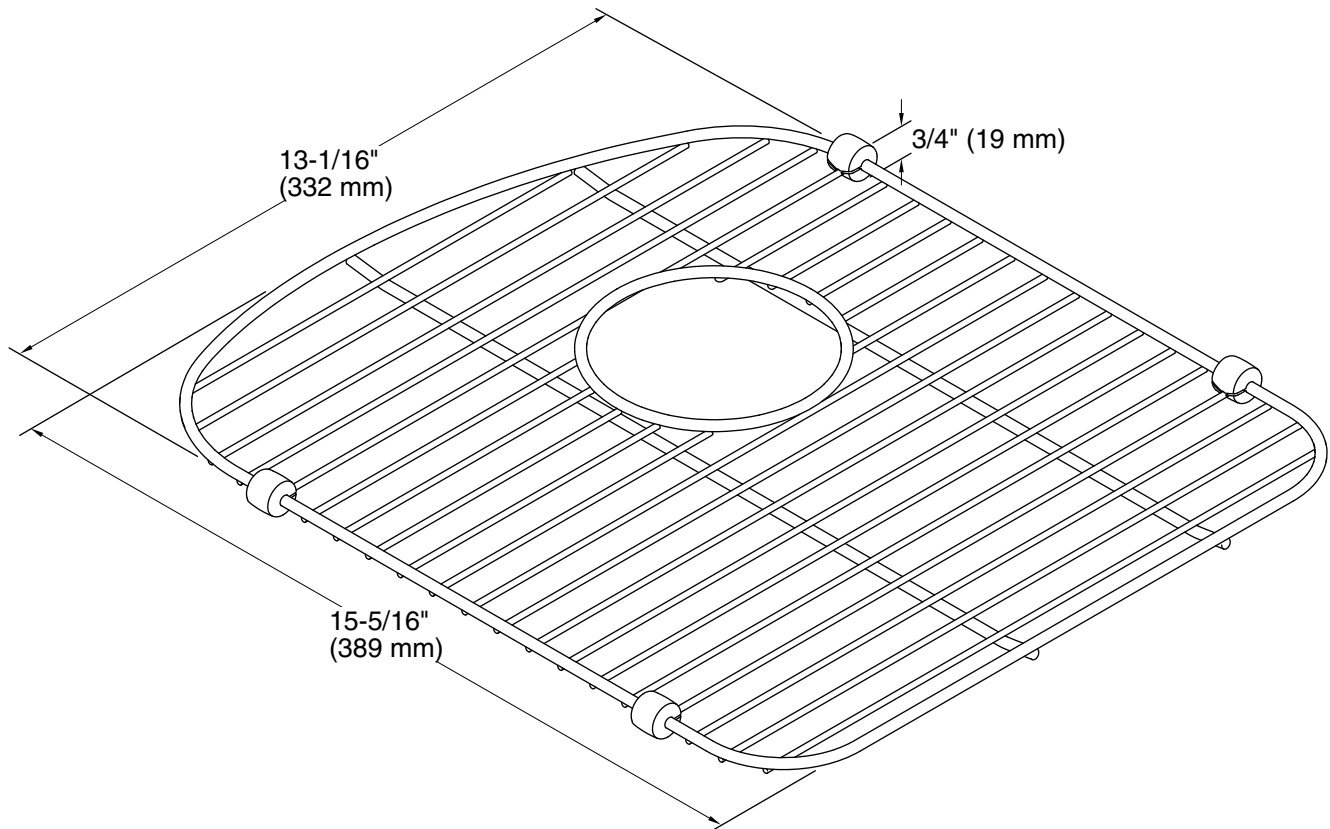
## KOHLER® One-Year Limited Warranty

See website for detailed warranty information.

## Available Colors/Finishes

*Color tiles intended for reference only.*

Color	Code	Description
	ST	Stainless Steel



## Technical Information

All product dimensions are nominal.

Material:               Stainless Steel