

Features

- 59-1/2"L x 32"W x 16-1/4"H.
- Standard 5' x 32" size for alcove installation.
- Integral apron for quick installation.
- Constructed of KOHLER® Cast Iron.

Recommended Products/Accessories

- K-1491 Bath/Whirlpool Pillow
- K-1601 Bath/whirlpool footstop, removable
- K-7160-AF 1-1/2" adjustable pop-up drain
- K-7213 27" Cable Bath Drain
- K-7214 27" Cable Bath Drain
- K-7259 Brass toe tap bath drain
- K-702200-G73 Frameless Sliding Bath Door
- K-702200-L Frameless Sliding Bath Door
- K-706000-D3 Frameless Sliding Bath Door
- K-706000-L Frameless Sliding Bath Door
- K-706003-L Frameless Sliding Bath Door
- K-706004-D3 Frameless Sliding Bath Door
- K-706004-L Frameless Sliding Bath Door
- K-706007-L Frameless Sliding Bath Door
- K-7160-TF 1-1/2" adjustable pop-up drain
- K-23726 Drain treatment
- K-23725 Cast iron cleaner



ADA

Codes/Standards






ASME A112.19.1/CSA B45.2
ASTM F462
ADA
ICC/ANSI A117.1

KOHLER® Enameled Cast Iron Bath and Shower Base Lifetime Limited Warranty

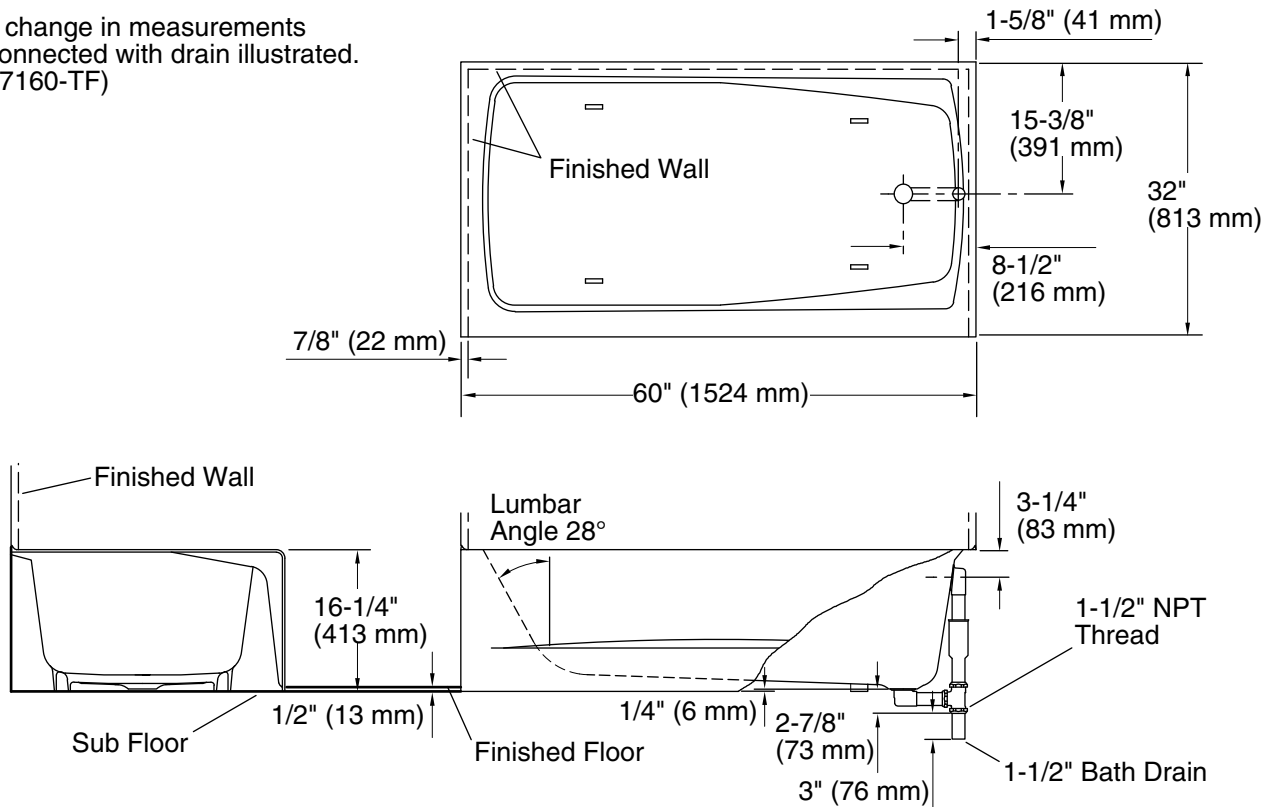
See website for detailed warranty information.

Available Colors/Finishes

Color tiles intended for reference only.

| Color | Code | Description |
|---|------|-----------------|
|  | 0 | White |
|  | 96 | Biscuit |
|  | 47 | Almond |
|  | 55 | Innocent Blush™ |
|  | 45 | Wild Rose™ |

No change in measurements if connected with drain illustrated. (K-7160-TF)



Technical Information

All product dimensions are nominal.

| | |
|------------------------|---|
| Installation: | Three-wall alcove |
| Drain location: | Right |
| Basin area, bottom: | 46" x 20" (1168 mm x 508 mm) |
| Basin area, top: | 54" x 24" (1372 mm x 610 mm) |
| Weight: | 351 lbs (159.2 kg) |
| Minimum floor load: | 56 lbs/ft ² (273.4 kg/m ²) |
| Water depth: | 10-7/8" (276 mm) |
| Water capacity: | 45 gal (170.3 L) |
| Minimum flat for door: | 2" (51 mm) |

Notes

Measure your actual product for rough-in details.

Install this product according to the installation instructions.

The hot water supply should be 70% of the capacity of the bath or greater. Installations will vary.

ADA compliant when installed to the specific requirements of these regulations.