

KOHLER®

Freshman™ Siphon-jet wall-mount 1 gpf urinal with top spud K-4989-T

Features

- Siphon jet.
- 3/4" (19 mm) top spud.
- Includes inlet and outlet spuds and hangers.
- 1.0 gpf (3.8 lpf).

Material

- Vitreous china.

Recommended Products/Accessories

- K-23726 Drain treatment
- K-23725 Cast iron cleaner
- K-7527 Touchless hybrid 1.0 gpf washdown urinal flushometer
- K-7542 Exposed hybrid 1.0 gpf urinal flushometer
- K-76319 Manual 1.0 GPF Urinal Flushometer

Included Components

Additional Components:

- Hanger(s)
- Inlet Spud
- Outlet Spud
- Urinal



Codes/Standards

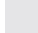



ASME A112.19.2/CSA B45.1
DOE - Energy Policy Act 1992

KOHLER® One-Year Limited Warranty

See website for detailed warranty information.

Available Colors/Finishes

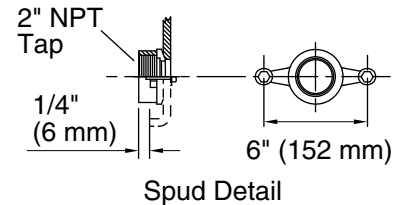
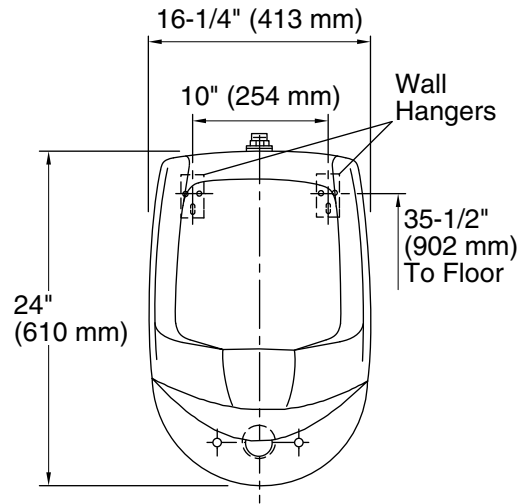
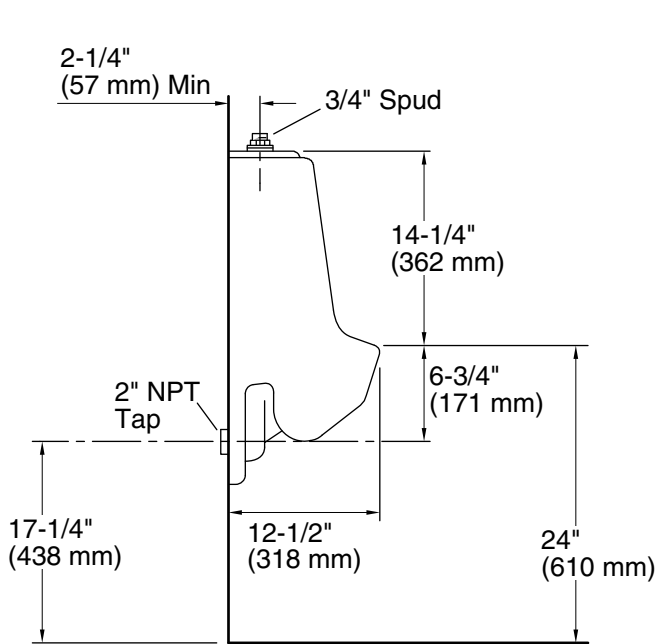
Color tiles intended for reference only.

Color	Code	Description
	0	White
	96	Biscuit
	47	Almond
	7	Black Black™

1-800-4KOHLER (1-800-456-4537)

Kohler Co. reserves the right to make revisions without notice to product specifications.
For the most current Specification Sheet, go to www.kohler.com.

THE BOLD LOOK
OF **KOHLER**®



Technical Information

All product dimensions are nominal.

Flush outlet technology:	Siphon jet
Spud size:	3/4, Inlet, Top
Spud size:	3/4, Outlet, Top
Max. Water per Flush:	1 gal (3.8 L)

Notes

Install this product according to the installation guide.

Refer to manufacturer's instructions and local codes for flush valve requirements.