



**Freshman™**  
1.0 gpf Rear-inlet Urinal  
**K-4989-R**

**Features**

- Siphon jet.
- 3/4" (19 mm) rear spud.
- 1.0 gpf (3.8 lpf).
- Includes inlet and outlet spuds and hangers.

**Material**

- Vitreous china.

**Recommended Products/Accessories**

- K-23726 Drain treatment
- K-23725 Cast iron cleaner

**Included Components**

Additional Components:

- Hanger(s)
- Inlet Spud
- Outlet Spud
- Urinal



**Codes/Standards**




- ASME A112.19.2/CSA B45.1
- DOE - Energy Policy Act 1992

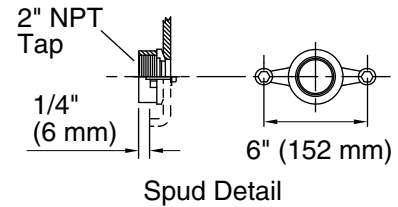
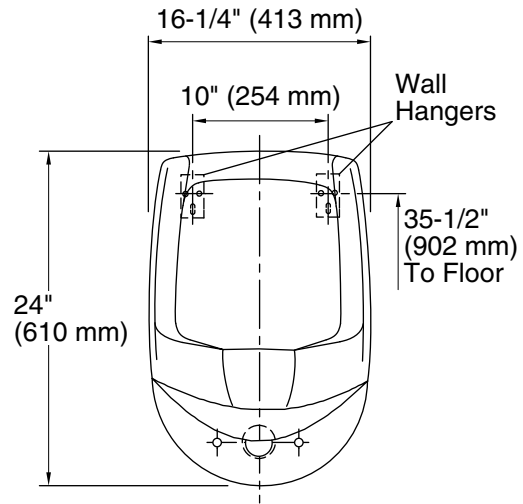
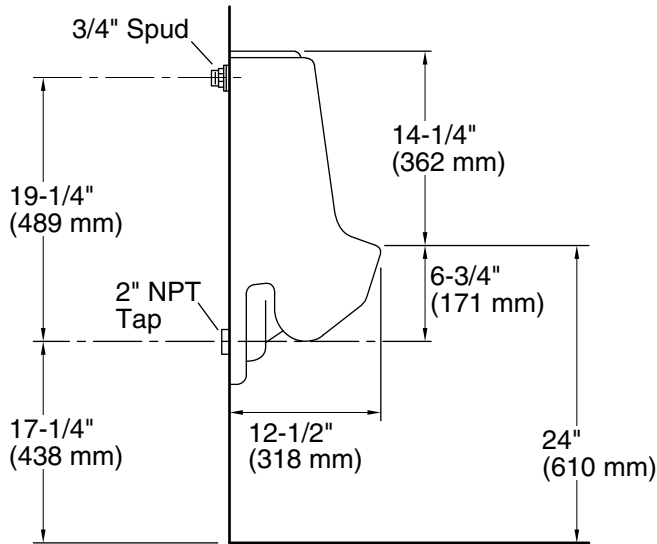
**KOHLER® One-Year Limited  
Warranty**

See website for detailed warranty information.

**Available Colors/Finishes**

*Color tiles intended for reference only.*

Color	Code	Description
	0	White
	47	Almond
	7	Black Black™



### Technical Information

All product dimensions are nominal.

Flush outlet                      Siphon jet  
technology:  
Spud size:                         Inlet, Rear  
Max. Water per                 1 gal (3.8 L)  
Flush:

### Notes

Install this product according to the installation guide.