

#### Features

- Blow-out.
- 1-1/4" top spud.
- 1.0 gpf (3.8 lpf)

#### Material

- Vitreous china.

#### Optional Products/Accessories

18763 Spud

#### Included Components

Additional Components:

1 1/4" Inlet Spud (Qty 2)

2" outlet spud (Qty 2)

5/8" Drain Plug (Qty 2)

Hanger(s) (Qty 2)



ADA

#### Codes/Standards

ASME A112.19.2/CSA B45.1

DOE - Energy Policy Act 1992

ADA




ICC/ANSI A117.1

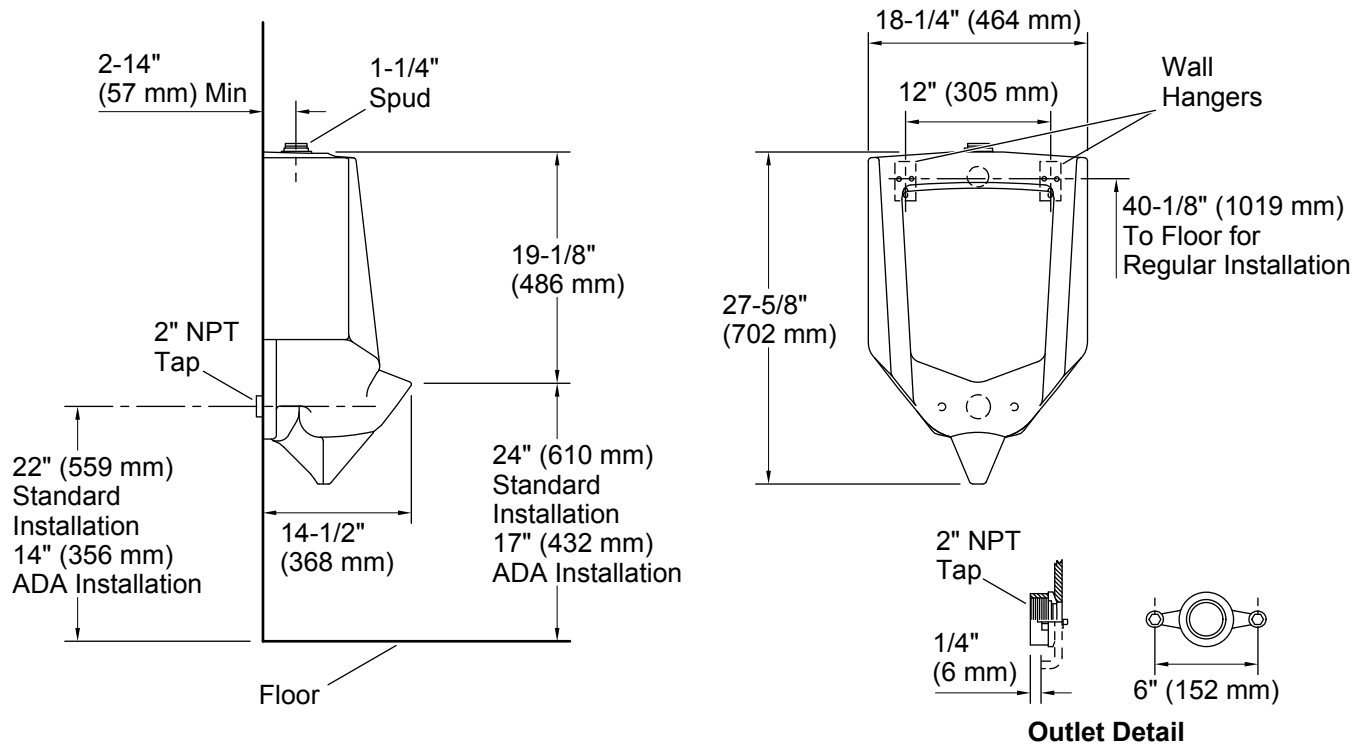
#### KOHLER® One-Year Limited Warranty

See website for detailed warranty information.

#### Available Colors/Finishes

*Color tiles intended for reference only.*

Color	Code	Description
	0	White
	96	Biscuit
	7	Black Black™



### Technical Information

All product dimensions are nominal.

Flush outlet technology: Blow-out

Spud size: Inlet, Top

Max. Water per Flush: 1 gal (3.8 L)

### Notes

Install this product according to the installation guide.

Refer to manufacturer's instructions and local codes for flushometer requirements.

ADA compliant when installed to the specific requirements of these regulations.