

Features

- Washout urinal.
- 3/4" (19 mm) top spud.
- One gallon or less per flush.

Material

- Vitreous china.

Recommended Replacements

- This product is replaced by 25039-T.

Recommended Products/Accessories

- K-13518 Manual 1.0 GPF Wshdwn Flushometer
- K-13519 Manual 0.5 GPF Urinal Flushometer
- K-4931 Urinal Seam Cover
- K-4932 Urinal Seam Cover
- K-9172 Urinal Strainer
- K-9183 Urinal Strainer
- K-23726 Drain treatment
- K-23725 Cast iron cleaner
- K-7527 Touchless hybrid 1.0 gpf washdown urinal flushometer
- K-7526 Touchless hybrid 0.5 gpf urinal flushometer
- K-7537 Exposed hybrid 0.5 gpf washdown urinal flushometer
- K-7537-RF Exposed hybrid 0.5 gpf urinal flushometer retrofit
- K-7542 Exposed hybrid 1.0 gpf urinal flushometer
- K-76318 Manual 0.5 GPF Urinal Flushometer
- K-76319 Manual 1.0 GPF Urinal Flushometer
- K-10675-SV Touchless washdown 0.5 gpf flushometer
- K-10676-SV Touchless washdown 1.0 gpf urinal flushometer
- K-10958-SV Touchless DC 0.5 gpf washdown urinal flushometer
- K-10960-SV Touchless DC washdown 1.0 gpf urinal flushometer
- K-13518-RF Manual 1.0 GPF Wshdwn Flushometer
- K-13519-RF Manual 0.5 GPF Urinal Flushometer



ADA **CSA B651**

Codes/Standards



ASME A112.19.2/CSA B45.1
DOE - Energy Policy Act 1992
California Energy Commission (CEC)
ADA
ICC/ANSI A117.1
CSA B651

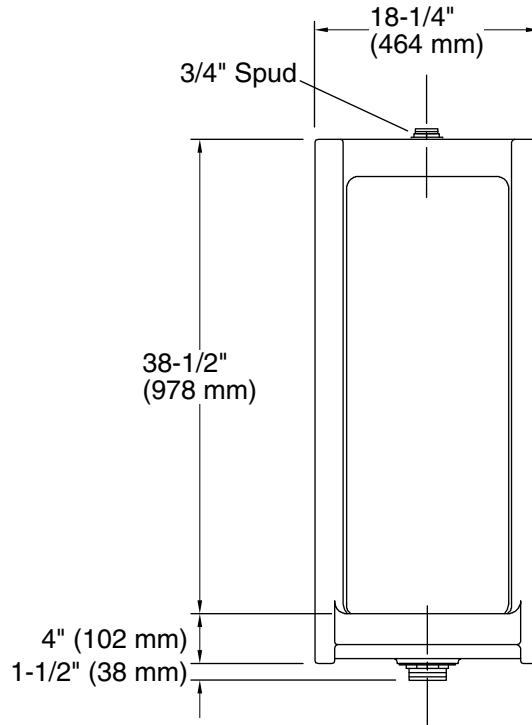
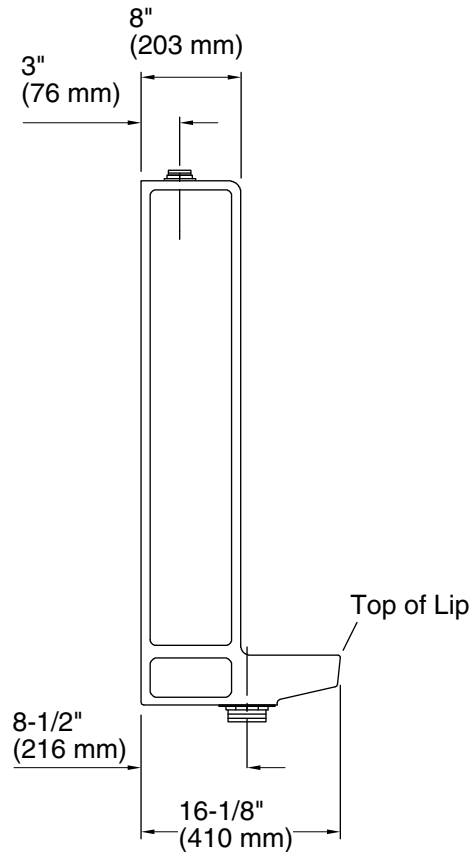
KOHLER® One-Year Limited Warranty

See website for detailed warranty information.

Available Colors/Finishes

Color tiles intended for reference only.

Color	Code	Description
	0	White
	7	Black Black™



Technical Information

All product dimensions are nominal.

Spud size: Inlet, Top

Notes

Install this product according to the installation guide.

Refer to manufacturer's instructions and local codes for flushometer requirements.

ADA, CSA B651 compliant when installed to the specific requirements of these regulations.