



Bardon™
High Efficiency Urinal (HEU)
K-4904-ER

Features

- Washout
- 3/4" rear spud.
- 14" (356 mm) extended rim.
- 0.125 gpf (0.47 lpf) to 1.0 gpf (3.8 lpf).
- Will replace K-4960-ER urinal.

Material

- Vitreous china.

Recommended Products/Accessories

- K-10668 WAVE DC 1/8 GPF Urinal Flushometer
- K-10949 Tripoint™ DC 1/8 GPF Urinal Flushometer
- K-13520 Manual 1/8 GPF Urinal Flushometer
- K-10675 WAVE DC 0.5 GPF Urinal Flushometer
- K-10958 Tripoint™ DC 0.5 GPF Urinal Flushometer
- K-13519 Manual 0.5 GPF Urinal Flushometer
- K-10676 WAVE DC 1.0 GPF Wshdwn Flushometer
- K-10960 Tripoint™ DC 1.0 GPF Wshdwn Flushometer
- K-13518 Manual 1.0 GPF Wshdwn Flushometer

Included Components

Additional Components:

- 2" outlet spud (Qty 2)
- 3/4" inlet spud (Qty 2)
- Hanger(s) (Qty 2)
- Strainer (Qty 2)



ADA **CSA B651**

Codes/Standards



- ASME A112.19.2/CSA B45.1
- DOE - Energy Policy Act 1992
- EPA WaterSense®
- ADA
- ICC/ANSI A117.1
- CSA B651

KOHLER® One-Year Limited Warranty

See website for detailed warranty information.

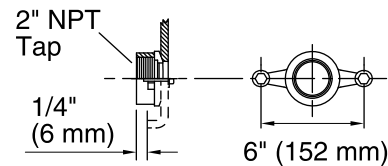
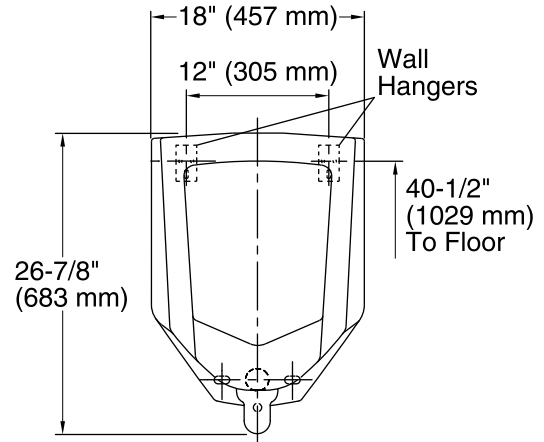
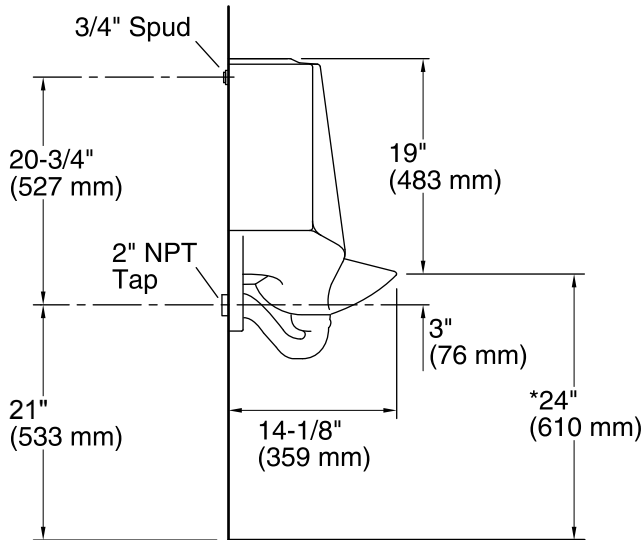
Available Colors/Finishes

Color tiles intended for reference only.

Color	Code	Description
	0	White
	7	Black Black™

*Urinal complies with ADA requirements when rim is mounted no higher than 17" (432 mm) from finished floor.

*Urinal complies with CSA B651 when rim is mounted no higher than 16-7/8" (430 mm) from finished floor.



Spud Detail

Technical Information

All product dimensions are nominal.

Flush outlet technology: Washout
Spud size: Rear

Notes

Install this product according to the installation guide.

Refer to manufacturer's instructions and local codes for flushometer requirements.

ADA, CSA B651 compliant when installed to the specific requirements of these regulations.