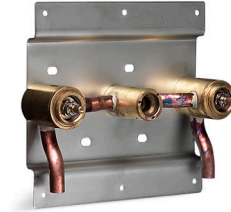


Features

- 2.2 gal/min (8.3 l/min) maximum flow rate [max at 60 psi.
- Dual control wall-mounted.
- KOHLER ceramic disc valves exceed industry longevity standards for a lifetime of durable performance.

Material

- Brass construction.



Codes/Standards

ASME A112.18.1/CSA B125.1

NSF/ANSI 61

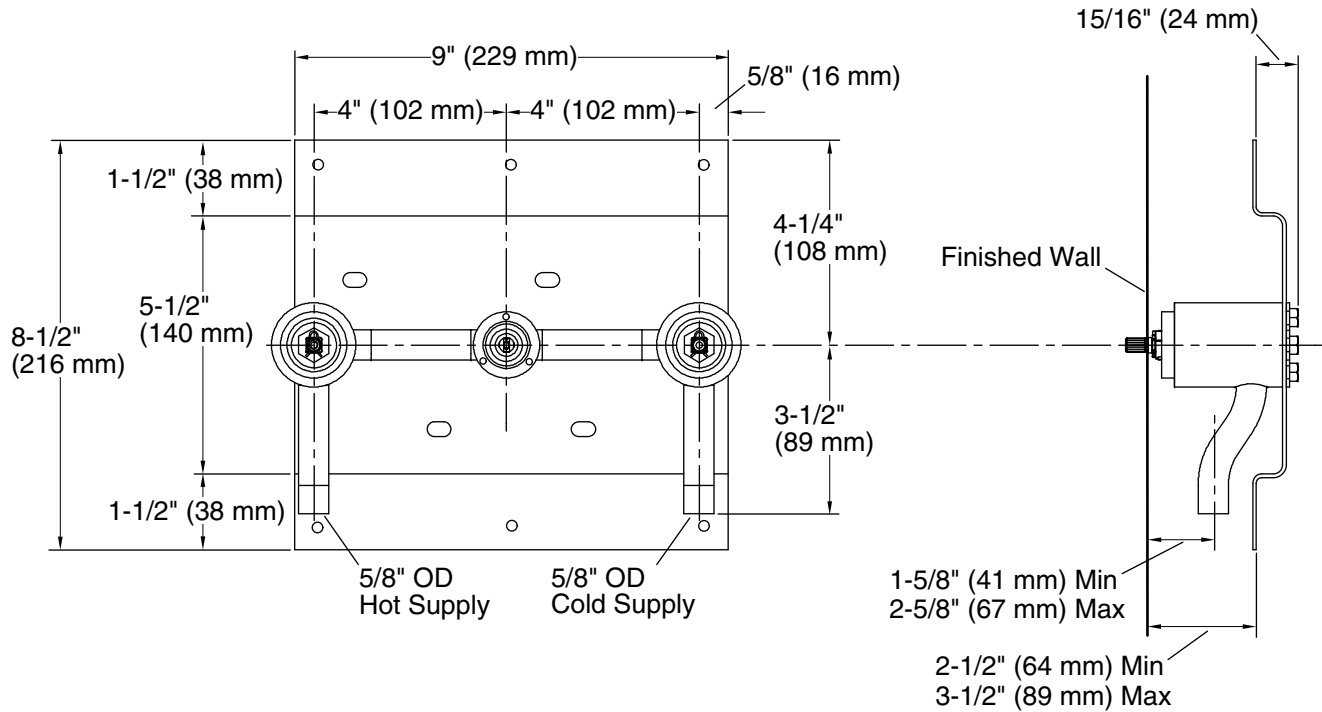
NSF/ANSI 372

All applicable US Federal and State material regulations

DOE - Energy Policy Act 1992

KOHLER® Faucet Lifetime Limited Warranty

See website for detailed warranty information.



Technical Information

All product dimensions are nominal.

Faucet:

Flow rate: 2.2 gal/min (8.3 l/min)

Notes

Install this product according to the installation guide.

Three 1-5/8" (4.1 cm) diameter cutout holes are required for the spout and handles.

Follow the installation dimensions precisely as there is no deep roughing-in kit available for this product.

WARNING: Risk of property damage. For exterior wall installations, ensure proper wall insulation to prevent frozen pipes.